



3665 MHz Ceramic Bandpass Filter for WLL

ANATECH ELECTRONICS INC
RF & Microwave Filters & Products

Part Number: AM3665B124



Electrical specifications

Center Frequency: 3665 MHz
Bandwidth: +/- 65.0 MHz
VSWR: 1.45
Input / Output Impedance: 50 Ohms
Passband: 3600-3730 MHz
Passband Insertion Loss: 1.17 dB
Passband Ripple: 0.41 dB
Rejection: 2000-3100 MHz 30 dB min
Rejection 2: 3200-3400 MHz 26 dB min
Rejection 3: 4100-4600 MHz 30 dB min
Power Handling: 1 W

Mechanical

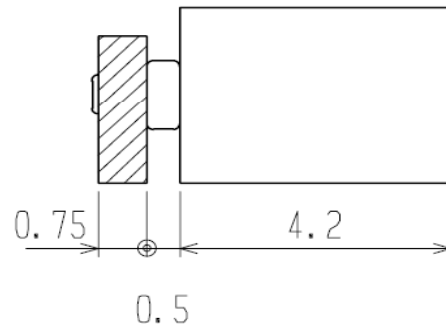
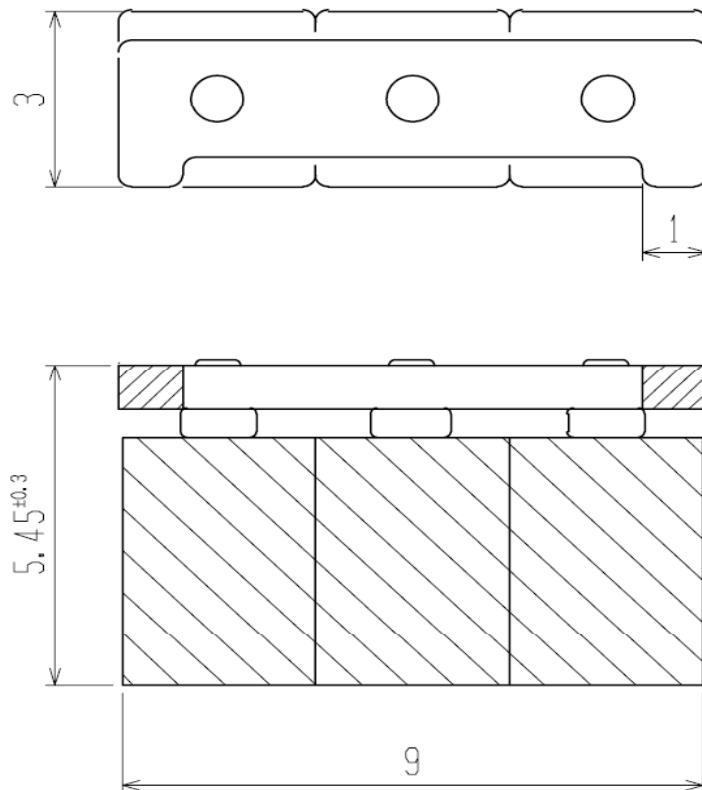
Mounting Method: SMT
Dimensions: 9 x 5.45 x 3 mm

Environmental

Operating Temperature: -40°C to +85°C
Storage Temperature: -50°C to +90°C

This product is RoHs compliant.

Outline Drawing:



Units: mm

: I/O

: GND

Tolerance ±0.2mm

Outside dimensions



3665 MHz Ceramic Bandpass Filter for WLL

ANATECH ELECTRONICS INC
RF & Microwave Filters & Products

Part Number: AM3665B124



Response Plot:

