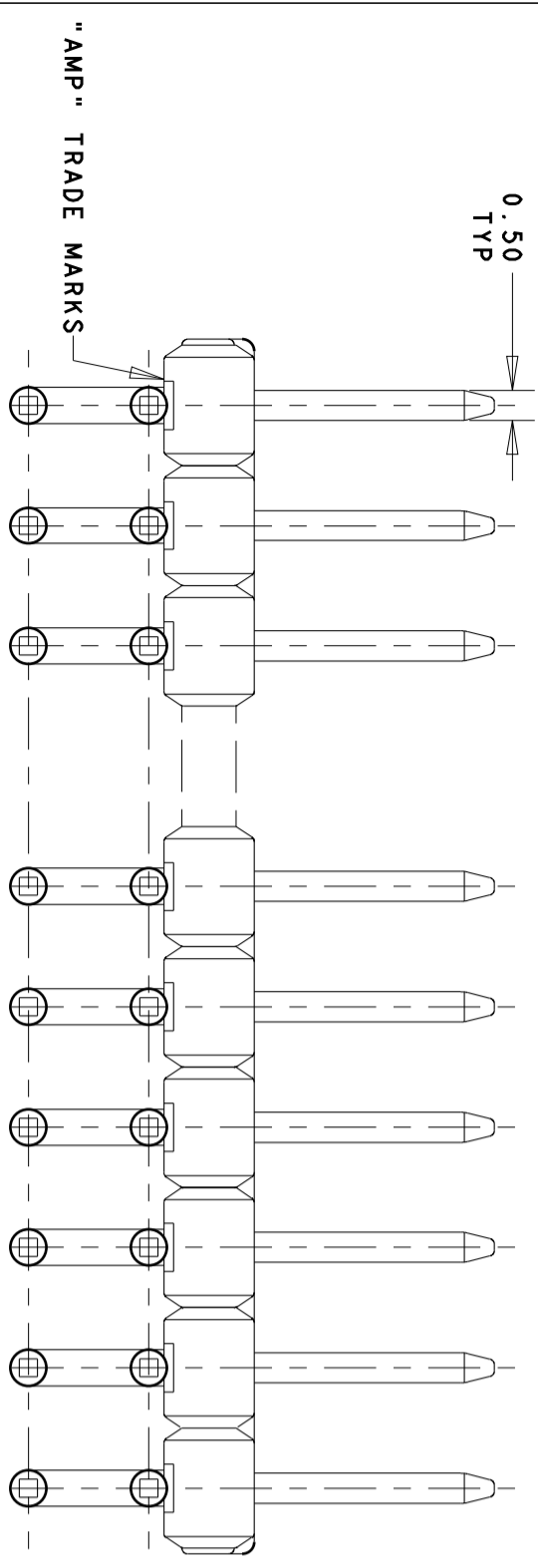
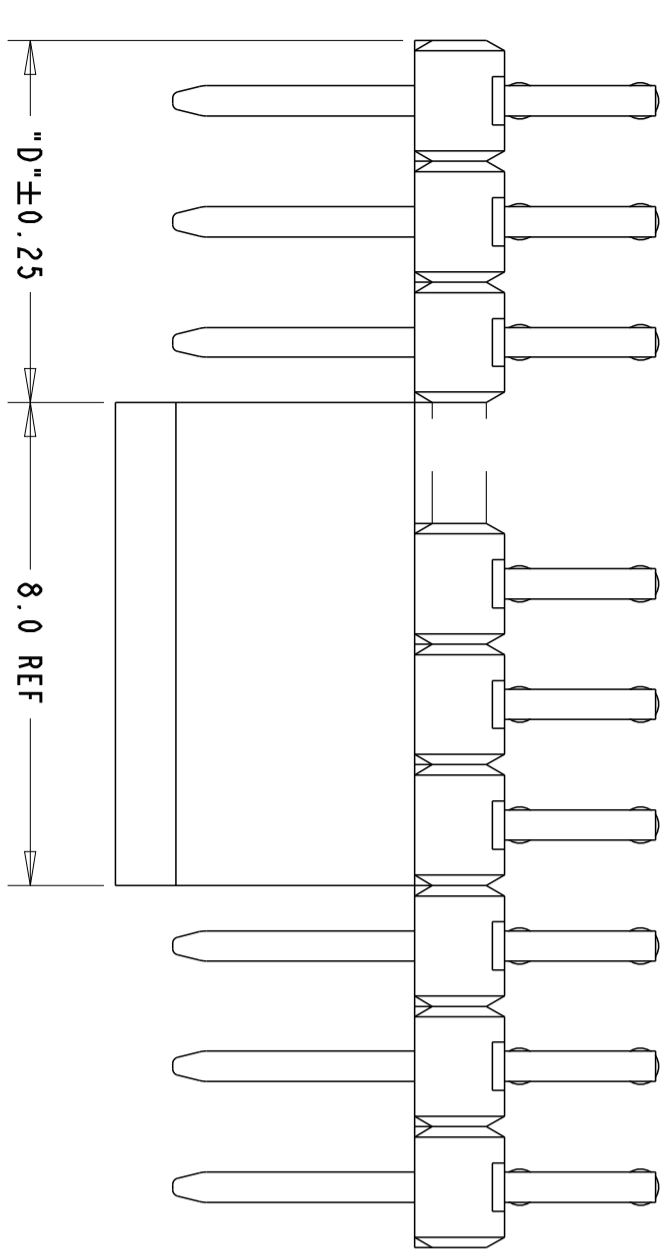


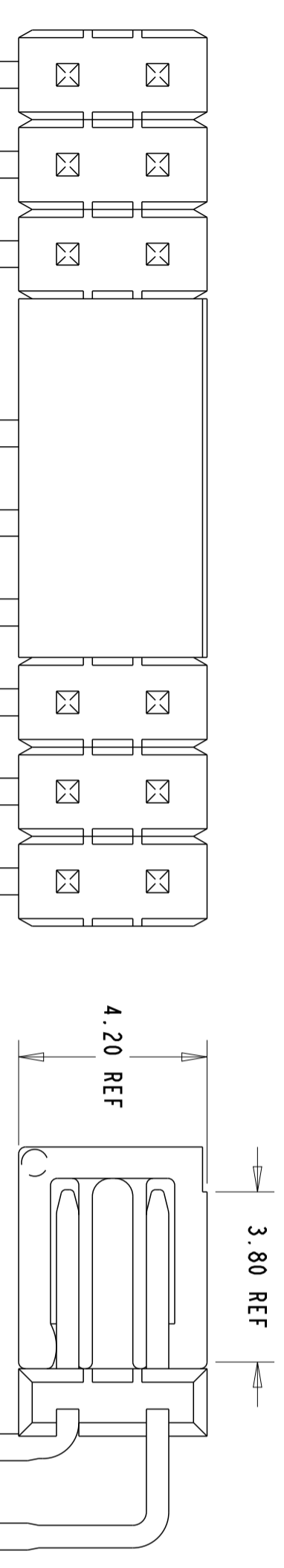
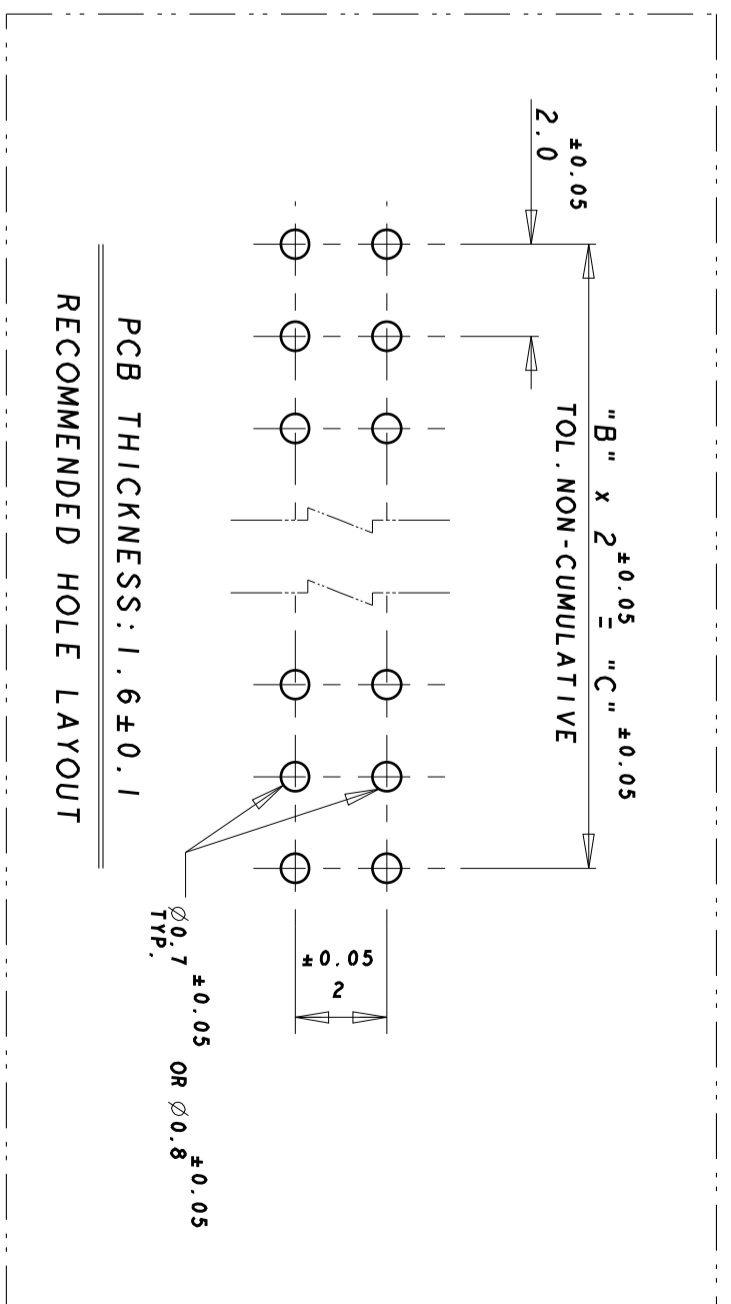
- NOTES:
- 1 MATERIALS: THERMOPLASTIC, HI-TEMP, UL 94V-0, BLACK HOUSING CAP: THERMOPLASTIC, HI-TEMP, UL 94V-0, BLACK POST: COPPER ALLOY
 - 2 FINISH: CONTACT AREA: GOLD 0.0002 MIN. ON NICKEL 0.0013 MIN. ALL OVER POST TINE: MATTE TIN 0.001 MIN.
 - 3 PICKUP CAP IS AT MID-LENGTH OF CONNECTOR.
 - 4 PICKUP CAP IS OFF MID-LENGTH OF CONNECTOR.



AS SHOWN WITHOUT PICKUP CAP FOR CLARITY.



AS SHOWN WITH PICKUP CAP.



QTY	DESCRIPTION	UNIT	NO OF POS	ASSY PN		
2	"D"	"C"	"B"	"A"	NO OF POS	ASSY PN
2	"D"	"C"	"B"	"A"	NO OF POS	ASSY PN

THIS DRAWING IS UNPUBLISHED. RELEASED FOR PUBLICATION BY AMP INCORPORATED. ALL RIGHTS RESERVED.

THIS DRAWING IS UNPUBLISHED. RELEASED FOR PUBLICATION BY AMP INCORPORATED. ALL RIGHTS RESERVED.

DATE: 16FEB2015

BY: NK

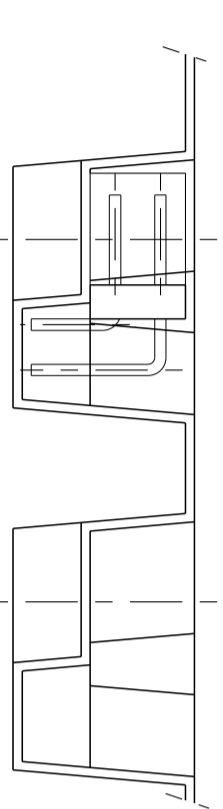
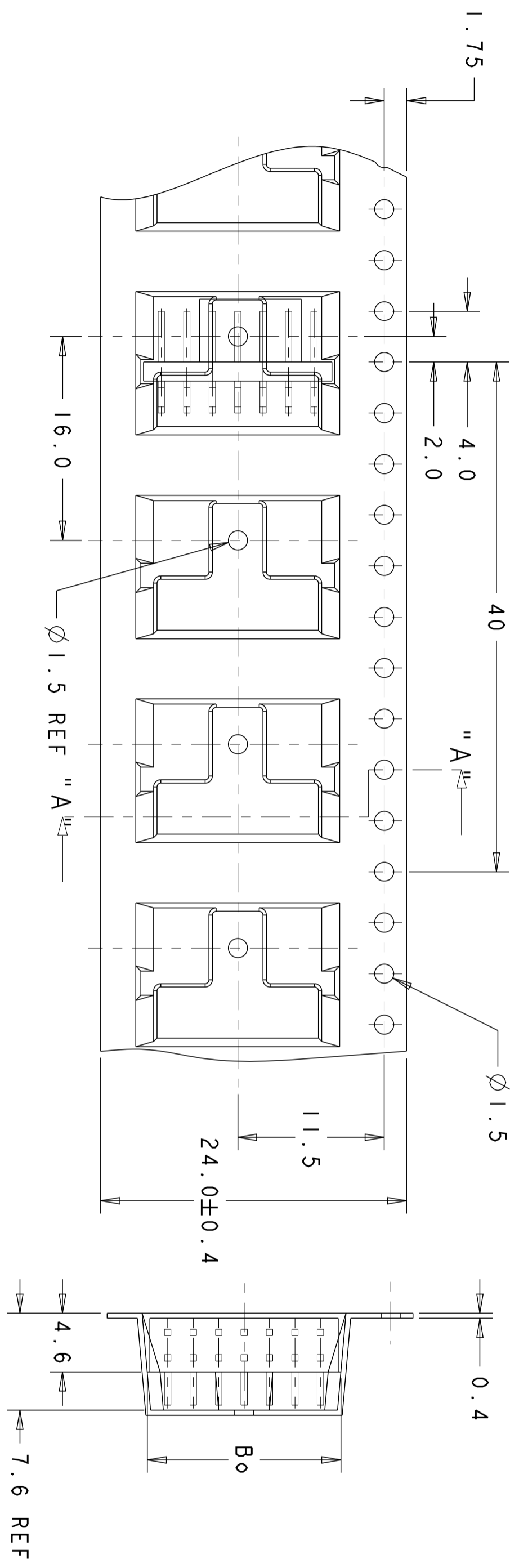
APP'D: JO

DESCRIPTION: AMPMODU 2mm PITCH POST HEADER, DOUBLE ROW, HORI. TYPE, L=2.6, HI-TEMP, WITH PICKUP CAP IN TAPE n REEL

REVISED PER ECO-15-001759

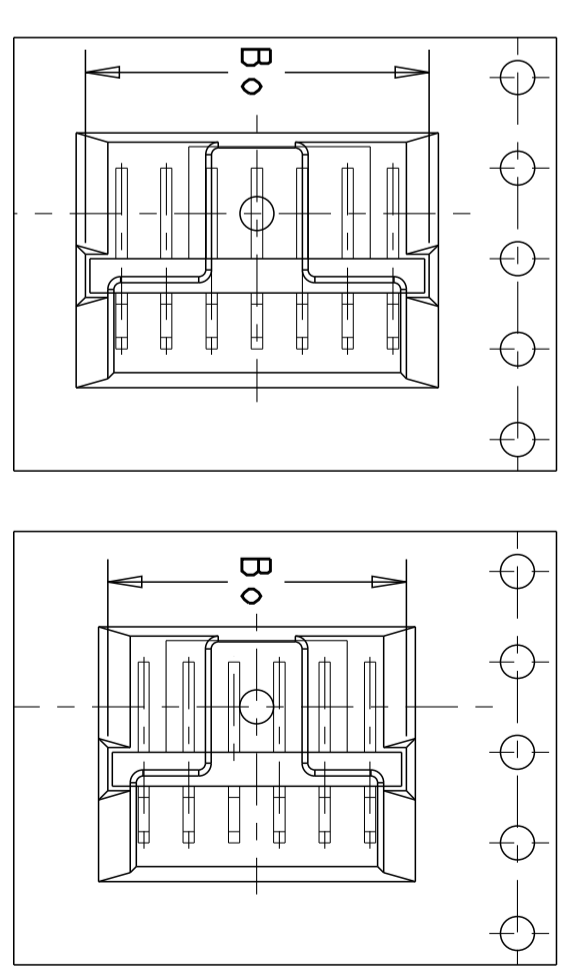
SCALE: 1 OF 2

SHEET 1 REV A1



Customer De-reel Direction

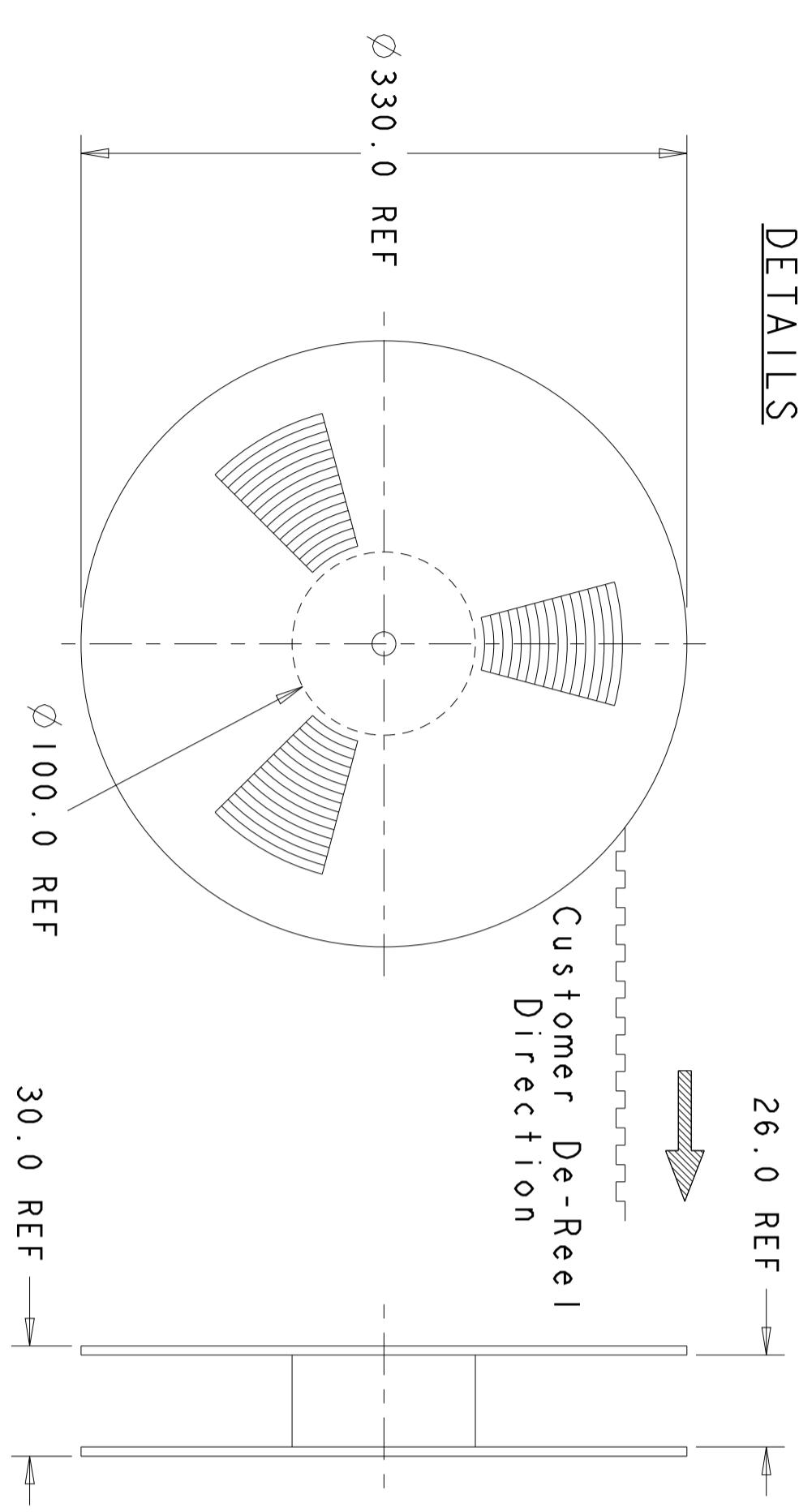
SECTION A-A



AS SHOWN FOR PN 1-4

AS SHOWN FOR PN 1-2.

PLASTIC REEL
DETAILS



- NOTES
- MATERIALS: TAPE: PS, BLACK, STATIC DISSIPATIVE
CARRIER TAPE : PET, CLEAR
COVER TAPE : PS, WHITE/BLACK, ANTI-STATIC
REEL
 - 475 POCKETS/REEL; 400 COMPONENTS/REEL

PN 1-1735919-4 AS SHOWN FOR EXAMPLE.

4	15.2	14	1-1735919-4
3	13.2	12	1-1735919-2
REMARKS	"Bo"	NO OF POS	ASSY PN

THIS DRAWING IS UNPUBLISHED. RELEASED FOR PUBLICATION BY AMP INCORPORATED. ALL RIGHTS RESERVED.

DATE: 07MAR2005

DESIGNER: WYLEE

CHECKER: VINCENT TAN

NAME: AMPMODU 2mm PITCH POST HEADER, DOUBLE ROW, HORIZONTAL TYPE, L=2.6, HI-TEMP, WITH PICKUP CAP IN TAPE n REEL

APPROVED: S. LEONG

PRODUCT SPEC: -

APPLICATION SPEC: -

WEIGHT: -

SIZE: A2

CAGE CODE: 00779

DRAWING NO: C-1735919

SCALE: -

SHEET 2 OF 2

REV A1

STE TE Connectivity Singapore