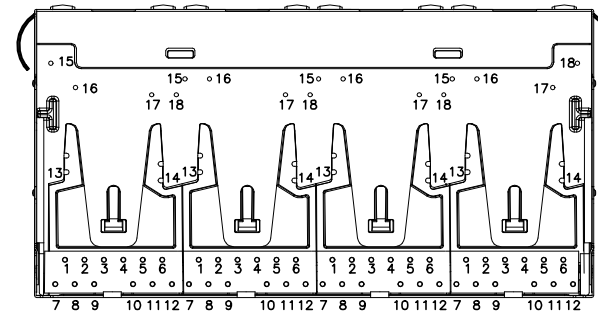
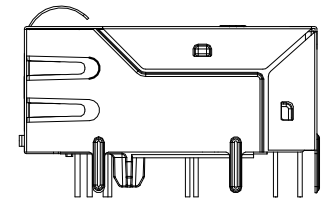
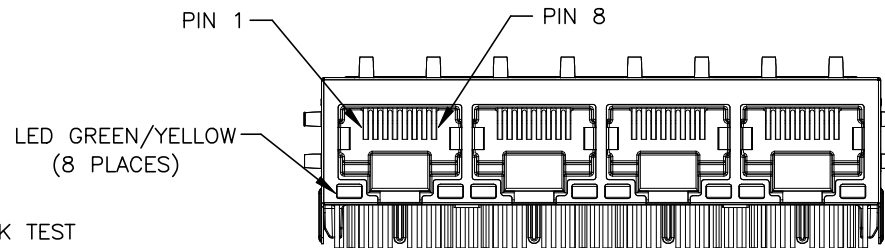
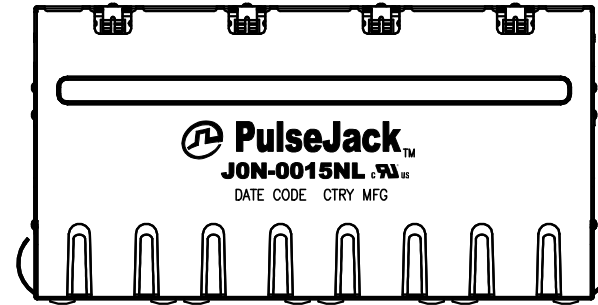




NOTES:

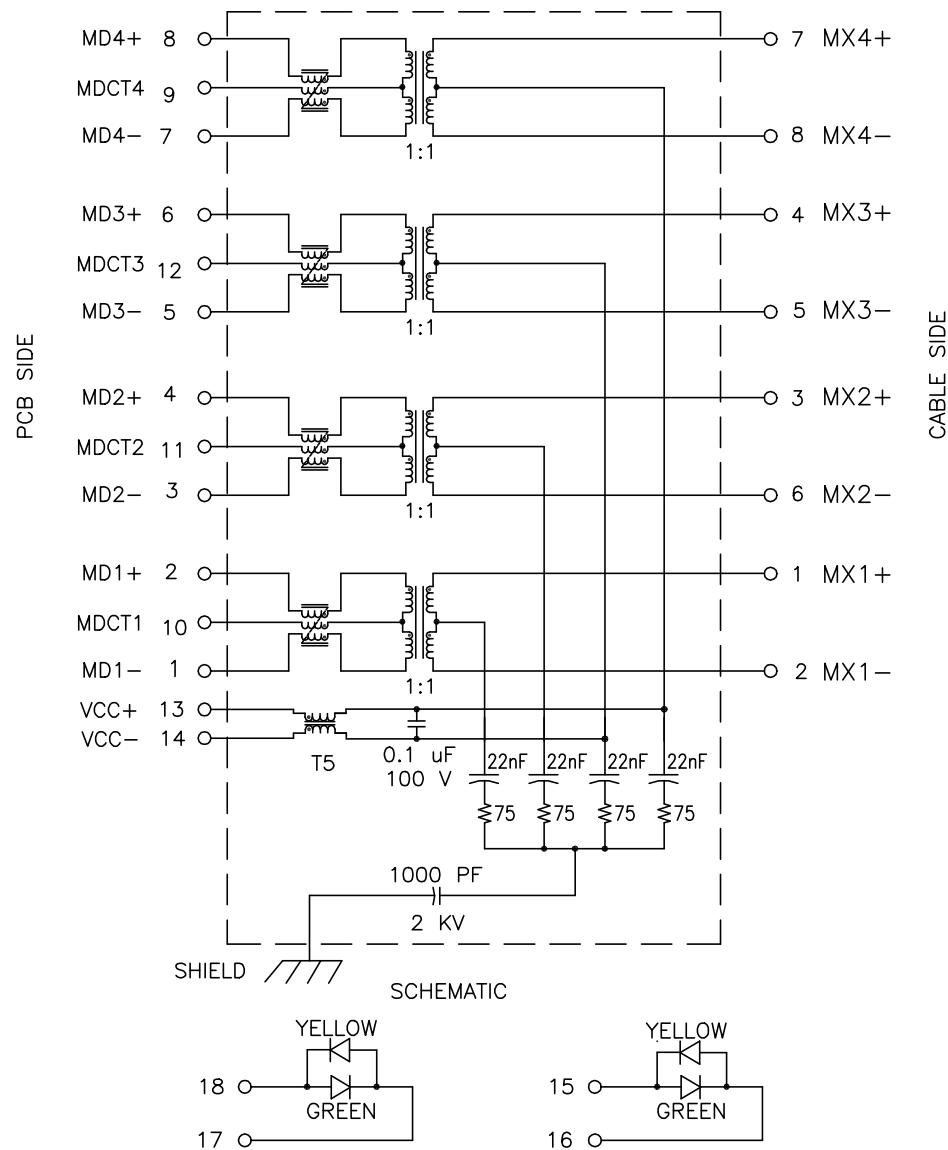
1. ROHS COMPLIANT
2. PLASTIC HOUSING: THERMOPLASTIC MATERIAL WITH FLAMMABILITY RATING UL 94V-0 OR BETTER.
3. CONTACTS PLATING: 50 MICRONS GOLD PLATING.
4. CONTACTS BASE MATERIAL: PHOSPHOR BRONZE
5. UNDER PLATING: 30-50μ INCHES NICKEL
6. SOLDER TAIL PLATING : 200-500 μINCHES 100% TIN, MATTE FINISH.
7. METAL SHIELD: NICKEL PLATING ON COPPER ALLOY.
8. JACK CAVITY CONFORMS TO FCC PART 68 SUBPART.
9. PCB PLATING: HASL
10. STORAGE TEMPERATURE: -20°C TO +125°C
11. COMPLIANCE TO J-STD:
  - A. J-STD-002: SOLDERABILITY AT 245°C DIP AND LOOK TEST
  - B. J-STD-020: LEVEL 1, NO MOISTURE SENSITIVE
  - C. J-STD-075: W2, 270°C MAXIMUM THROUGH WAVE SOLDER



FINAL OUTLINE

© Copyright, 2021. Pulse Electronics Corp. All rights reserved. Pulse confidential & proprietary. (12/16/21)

PRODUCT DESCRIPTION	TLA DRAWING	PS DRAWING	SHEET	PART NO.	DATASHEET REV.
CONN,RJ45,1X4,1GP,1:1,TY	JON-0015NL-11	PS-2476.007-A	1 OF 6	JON-0015NL	B



ELECTRICAL CHARACTERISTICS AT +25°C UNLESS OTHER SPECIFIED  
MEETS IEEE 802.3 SPECIFICATION

PARAMETER	SPECIFICATIONS			
OPERATING TEMPERATURE	0°C TO +70°C			
TURNS RATIO	1.00 ± 2%			
POLARITY	PER SCHEMATIC			
INSERTION LOSS	1-100 MHz			
	-1.2 dB MAX			
RETURN LOSS (Z OUT = 100 OHM ±15%)	.1-40MHz	40-60MHz	60-80MHz	80-100MHz
	-16dB MIN	-14.4dB MIN	-12dB MIN	-10 dB MIN
INDUCTANCE (OCL) AT 100 KHZ, 100 mVRMS (MEDIA SIDE, 0°C-70°C)	MX1,MX2		MX3,MX4	
	350 uH MIN @8mA DC		120 uH MIN @19mA DC	
CROSSTALK, ADJACENT CHANNELS	1-100 MHz			
	-35 dB TYPICAL			
COMMON MODE REJECTION RATIO	2-100 MHz			
	-30 dB MIN			
DC RESISTANCE, 1/2 WINDING	.65 OHMS MAX			
DC RESISTANCE IMBALANCE	±.065 OHMS MAX (CENTER TAP SYMMETRY)			
DC CURRENT RATING	600 mA MAX			
INPUT - OUTPUT ISOLATION	2250 VDC FOR 60 SECONDS			

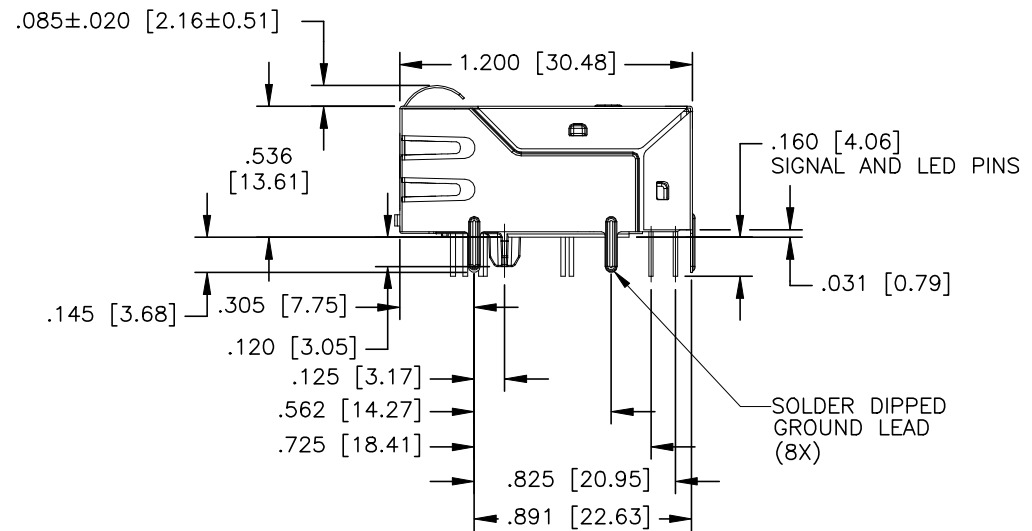
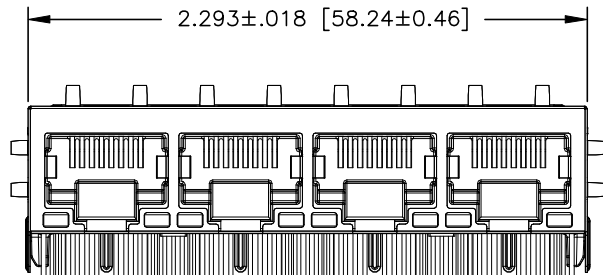
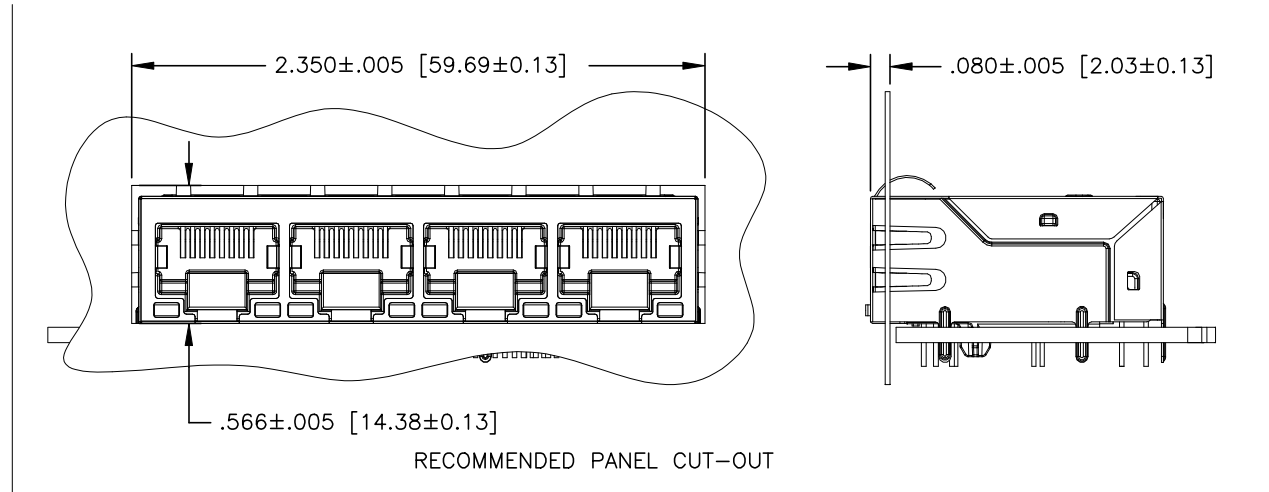
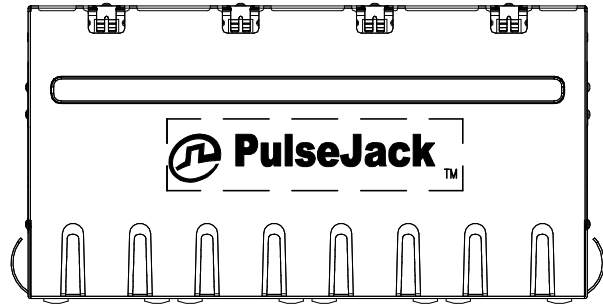
NOTE: f IS FREQUENCY IN MHz.

EMMITTED COLOR	GREEN	YELLOW
WAVELENGTH (nm)	570 nM	586 nM
BRIGHTNESS (mCD)	4 TYP. @ 20mA	10 TYP. @ 20 mA
VIEWING ANGLE	150°	150°
POWER DISSIPATION (Pd)	85 mW MAX	85 mW MAX
PEAK FORWARD CURRENT (10us PULSE)	120 MA MAX	80 MA MAX
FORWARD VOLTAGE (Vf)	2.2 TO 2.8 V	2.1 TO 2.8 V

NOTE: PER VENDOR'S SPECIFICATIONS

© Copyright, 2021. Pulse Electronics Corp. All rights reserved. Pulse confidential & proprietary. (12/16/21)

PRODUCT DESCRIPTION	TLA DRAWING	PS DRAWING	SHEET	PART NO.	DATASHEET REV.
CONN,RJ45,1X4,1GP,1:1,TY	JON-0015NL-11	PS-2476.007-A	2 OF 6	JON-0015NL	B

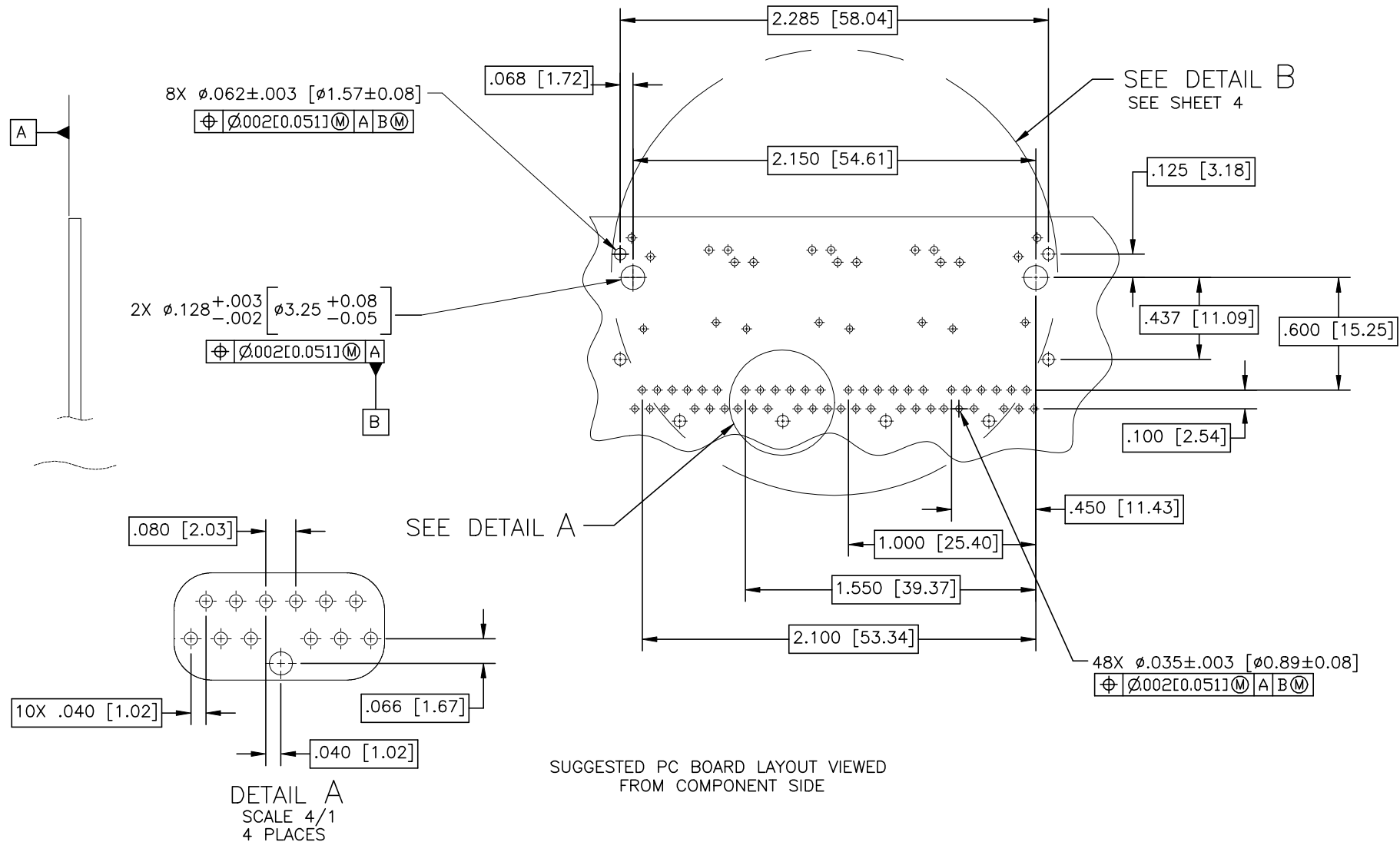


DIMENSIONS ARE IN INCHES [MILLIMETERS] WITH THE FOLLOWING TOLERANCES: [MILLIMETERS] ARE FOR REFERENCE ONLY.

.XX = ±.02 [±0.5]  
.XXX = ±.010 [±0.25]

© Copyright, 2021. Pulse Electronics Corp. All rights reserved. Pulse confidential & proprietary. (12/16/21)

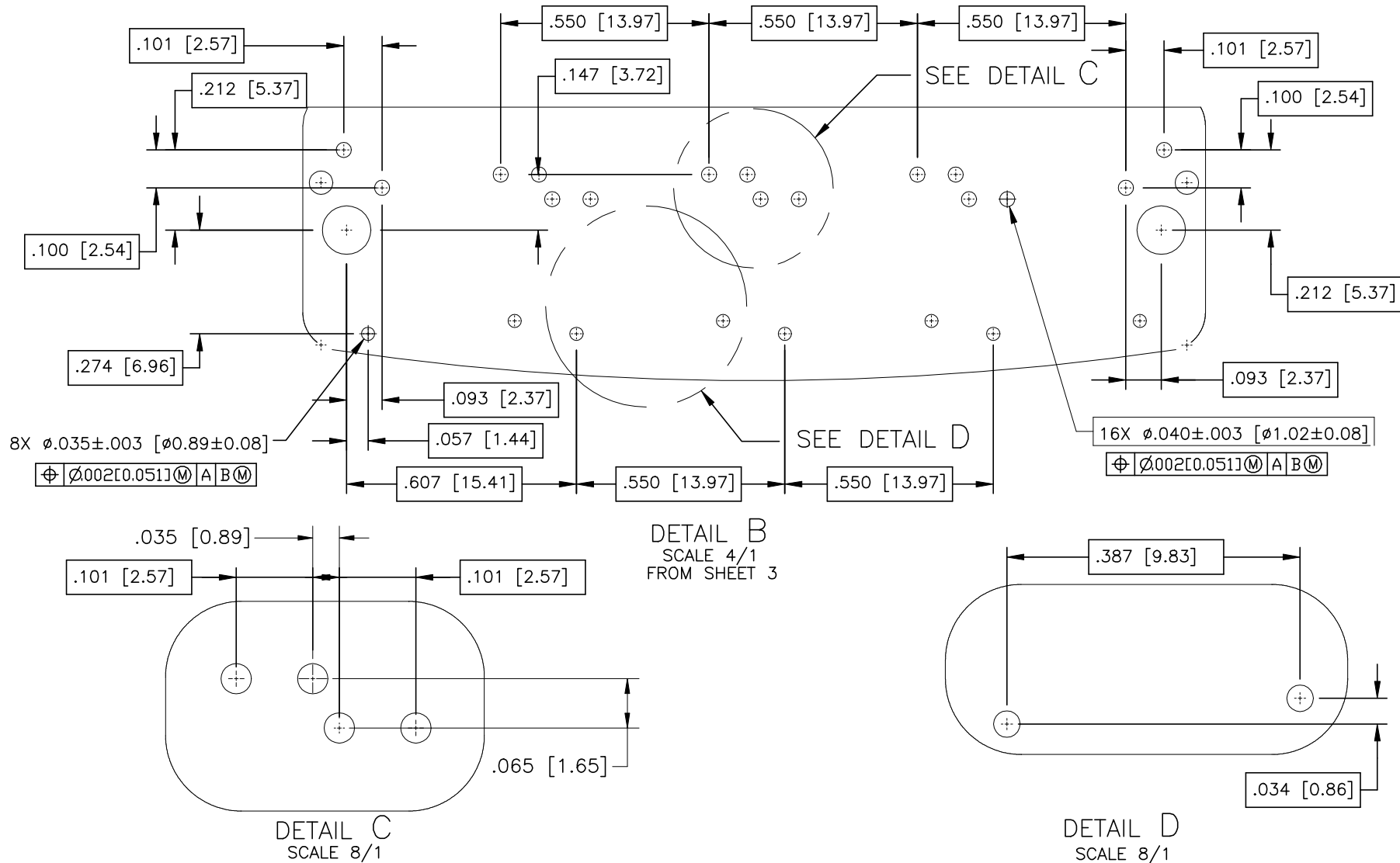
PRODUCT DESCRIPTION	TLA DRAWING	PS DRAWING	SHEET	PART NO.	DATASHEET REV.
CONN,RJ45,1X4,1GP,1:1,TY	JON-0015NL-11	PS-2476.007-A	3 OF 6	JON-0015NL	B



DIMENSIONS ARE IN INCHES [MILLIMETERS] WITH THE FOLLOWING TOLERANCES: [MILLIMETERS] ARE FOR REFERENCE ONLY.  
.XXX= ±.002 [±0.05]

© Copyright, 2021. Pulse Electronics Corp. All rights reserved. Pulse confidential & proprietary. (12/16/21)

PRODUCT DESCRIPTION	TLA DRAWING	PS DRAWING	SHEET	PART NO.	DATASHEET REV.
CONN,RJ45,1X4,1GP,1:1,TY	JON-0015NL-11	PS-2476.007-A	4 OF 6	JON-0015NL	B



DIMENSIONS ARE IN INCHES [MILLIMETERS] WITH THE FOLLOWING TOLERANCES: [MILLIMETERS] ARE FOR REFERENCE ONLY.  
 .XXX=  $\pm 0.02$  [ $\pm 0.05$ ]

© Copyright, 2021. Pulse Electronics Corp. All rights reserved. Pulse confidential & proprietary. (12/16/21)

PRODUCT DESCRIPTION	TLA DRAWING	PS DRAWING	SHEET	PART NO.	DATASHEET REV.
CONN,RJ45,1X4,1GP,1:1,TY	JON-0015NL-11	PS-2476.007-A	5 OF 6	JON-0015NL	B



CHANGE RECORD

REV	DESCRIPTION	DATE	APPROVED
A	NEW DS	22MAY14	-
B	UPDATE THE SIGNAL CODING ON PCB SIDE	16DEC21	STANYIN

© Copyright, 2021. Pulse Electronics Corp. All rights reserved. Pulse confidential & proprietary. (12/16/21)

PRODUCT DESCRIPTION	TLA DRAWING	PS DRAWING	SHEET	PART NO.	DATASHEET REV.
CONN,RJ45,1X4,1GP,1:1,TY	JON-0015NL-11	PS-2476.007-A	6 OF 6	JON-0015NL	B