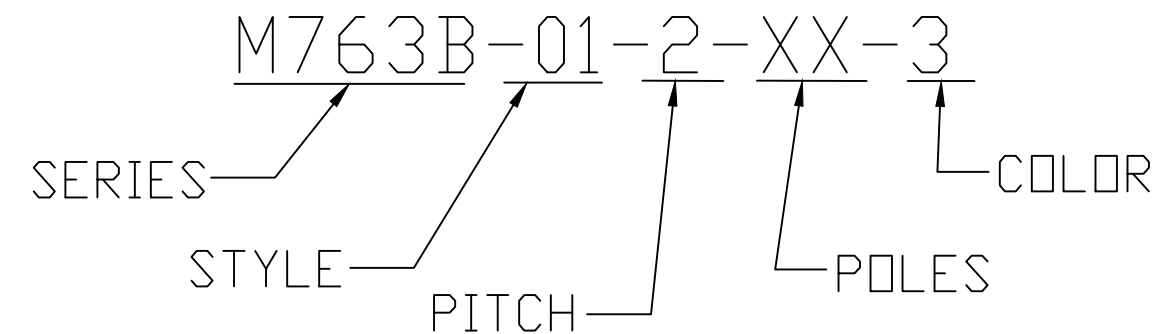


PART NUMBER DATA

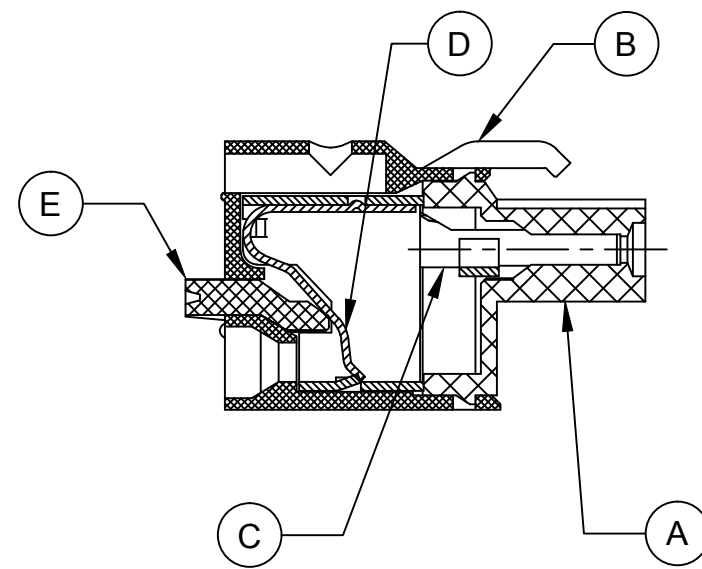
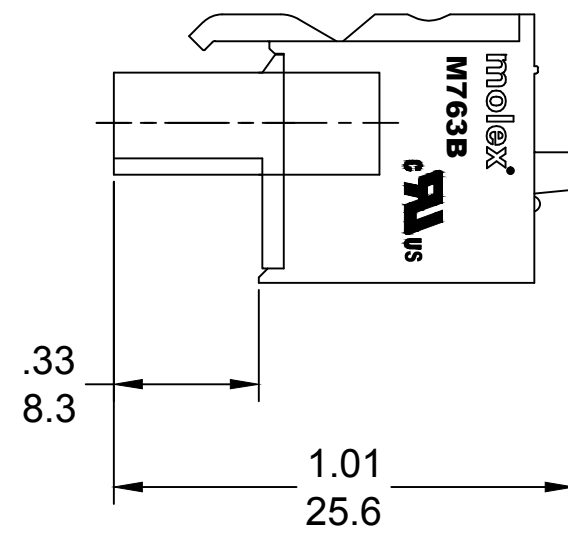
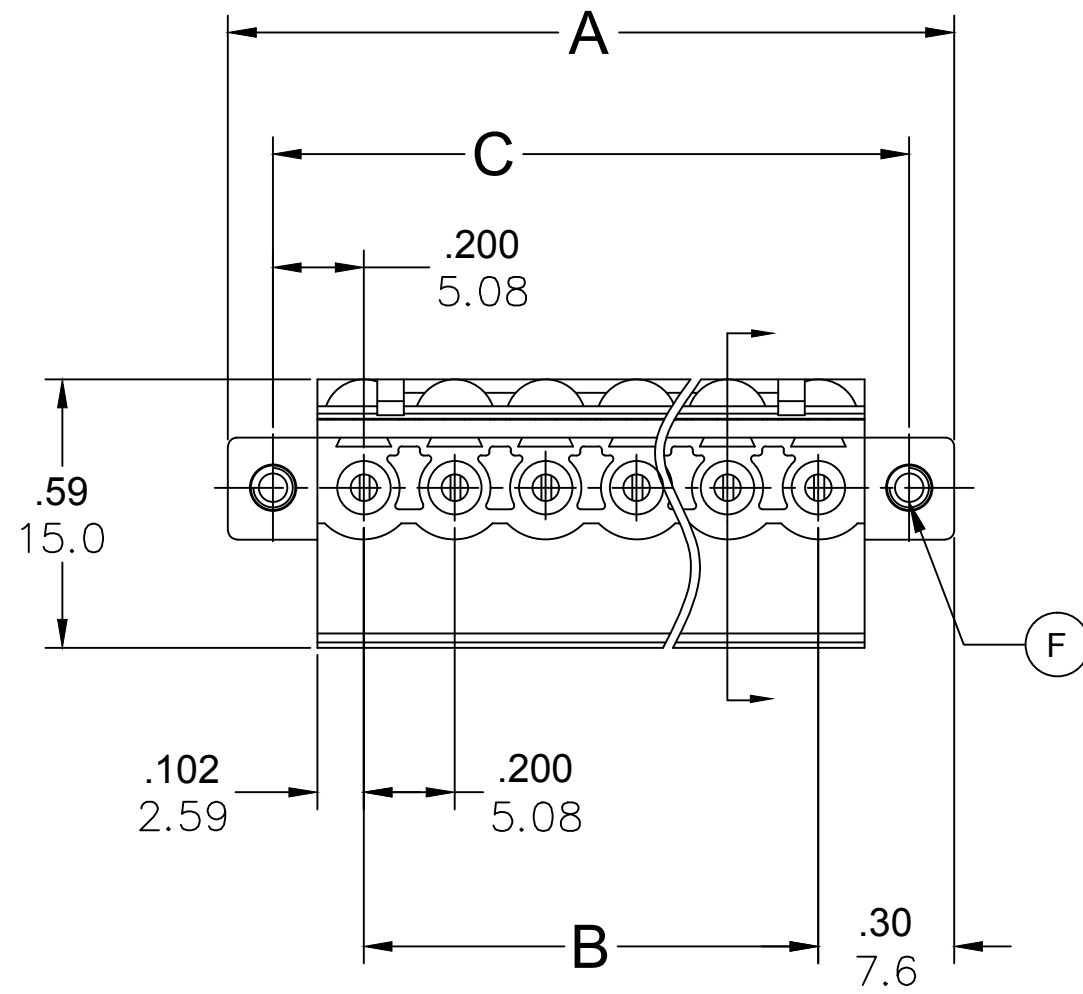
CIRCUITS	PART NUMBER	ENGINEERING NUMBER	COLOR	A IN mm		B IN mm		C IN mm	
2	397600002	M763B-01-2-02-3	GREEN	.80	20.3	.200	5.08	.600	15.24
3	397600003	M763B-01-2-03-3	GREEN	1.00	25.3	.400	10.16	.800	20.32
4	397600004	M763B-01-2-04-3	GREEN	1.20	30.4	.600	15.24	1.000	25.40
5	397600005	M763B-01-2-05-3	GREEN	1.40	35.5	.800	20.32	1.200	30.48
6	397600006	M763B-01-2-06-3	GREEN	1.60	40.6	1.000	25.40	1.400	35.56
7	397600007	M763B-01-2-07-3	GREEN	1.80	45.7	1.200	30.48	1.600	40.64
8	397600008	M763B-01-2-08-3	GREEN	2.00	50.7	1.400	35.56	1.800	45.72
9	397600009	M763B-01-2-09-3	GREEN	2.20	55.8	1.600	40.64	2.000	50.80
10	397600010	M763B-01-2-10-3	GREEN	2.40	60.9	1.800	45.72	2.200	55.88
11	397600011	M763B-01-2-11-3	GREEN	2.60	66.0	2.000	50.80	2.400	60.96
12	397600012	M763B-01-2-12-3	GREEN	2.80	71.0	2.200	55.88	2.600	66.04
13		M763B-01-2-13-3	GREEN	3.00	76.1	2.400	60.96	2.800	71.12
14		M763B-01-2-14-3	GREEN	3.20	81.2	2.600	66.04	3.000	76.20
15		M763B-01-2-15-3	GREEN	3.40	86.3	2.800	71.12	3.200	81.28
16		M763B-01-2-16-3	GREEN	3.60	91.4	3.000	76.20	3.400	86.36
17		M763B-01-2-17-3	GREEN	3.80	96.4	3.200	81.28	3.600	91.44
18		M763B-01-2-18-3	GREEN	4.00	101.5	3.400	86.36	3.800	96.52
19		M763B-01-2-19-3	GREEN	4.20	106.6	3.600	91.44	4.000	101.60
20		M763B-01-2-20-3	GREEN	4.40	111.7	3.800	96.52	4.200	106.68
21		M763B-01-2-21-3	GREEN	4.60	116.7	4.000	101.60	4.400	111.76
22		M763B-01-2-22-3	GREEN	4.80	121.8	4.200	106.68	4.600	116.84
23		M763B-01-2-23-3	GREEN	5.00	126.9	4.400	111.76	4.800	121.92
24		M763B-01-2-24-3	GREEN	5.20	132.0	4.600	116.84	5.000	127.00

REF. LAST 2 DIGITS OF PART NUMBER EQUALS CIRCUIT COUNT

ENGINEERING NUMBER LEGEND



CONTACT FACTORY FOR OPTIONAL COLORS



SPECIFICATIONS:

1. MATERIAL:

- A. BODY1: PA66 UL94 V-0
- B. BODY2: PA66 UL94 V-0
- C. TERMINAL: BRASS TIN PLATED
- D. SPRING: STAINLESS STEEL
- E. BUTTON: PA66 UL94 V-0
- F. SCREW: M3 STEEL ZINC PLATED

- 2. WIRE SIZE: 24 TO 12AWG
- 3. RATING: 250V, 12A
- 4. WIRE STRIP LENGTH: .39IN. (10.0mm)
- 5. DIELECTRIC VOLTAGE WITHSTAND: AC 2500V FOR 1 MINUTE
- 6. INSULATION RESISTANCE: DC 500V, 500MΩ
- 7. RATED IMPULSE VOLTAGE: 4000V, PLUS AND MINUS 5 TIMES EACH
- 8. OPERATING TEMPERATURE: -40°C TO +105°C
- 9. DIMS. SHOWN ARE FOR REFERENCE ONLY

TOLERANCES			
MM	TOL	INCH	TOL
0-6	±0.25	0-.24	±.010
>6-30	±0.40	.24-1.18	±.016
>30-120	±0.50	1.18-4.76	±.020
>120	±0.80	>4.76	±.031

REVISED DOC TOL EC NO.: IPG2017-0881 DRWN: ABENJAMI 4/6/17 CHKD: --- APPR: BRUPERT 2014/10/16 DESCRIPTION: --- REV: A1	QUALITY SYMBOL ▽=0 ▽=0	GENERAL TOLERANCES (UNLESS SPECIFIED) mm INCH 4 PLACES ±--- ±--- 3 PLACES ±--- ±--- 2 PLACES ±--- ±--- 1 PLACE ±--- ±--- ANGULAR ±---°	DIMENSION STYLE IN/MM DRAWN BY DATE RSTONE 2014/05/02 CHECKED BY DATE G FARNSW --- APPROVED BY DATE JFMURPHY 2014/10/16	SCALE --- DESIGN UNITS METRIC THIRD ANGLE PROJECTION	TITLE PLUG, HORIZONTAL WIRE TRAP, 5.08MM WITH MOUNTING ENDS MOLEX INCORPORATED DOCUMENT NO. SD-39760-001 SHEET NO. 1 OF 1	
	DRAFT WHERE APPLICABLE MUST REMAIN WITHIN DIMENSIONS		MATERIAL NO. SEE CHART SIZE C	THIS DRAWING CONTAINS INFORMATION THAT IS PROPRIETARY TO MOLEX INCORPORATED AND SHOULD NOT BE USED WITHOUT WRITTEN PERMISSION		