


SAC-4P- 6,0-400/MINFR

Order No.: 1532166

<http://eshop.phoenixcontact.de/phoenix/treeViewClick.do?UID=1532166>

Sensor/Actuator cable, 4-position, PVC, Yellow RAL 1021, Free conductor end, on Socket, angled 7/8" 16UNF, A-coded, Cable length: 6 m

Commercial data	
GTIN (EAN)	 4 046356 025218
Note	Made-to-order
sales group	D141
Pack	1 pcs.
Customs tariff	85444290
Catalog page information	Page 104 (PC-2007)

Product notes

WEEE/RoHS-compliant since:
06/20/2006



<http://www.download.phoenixcontact.com>
Please note that the data given here has been taken from the online catalog. For comprehensive information and data, please refer to the user documentation. The General Terms and Conditions of Use apply to Internet downloads.

Technical data	
General data	
Rated current at 40°C	7 A
Rated voltage	300 V
Number of positions	4
Volume resistance	≤ 5 mΩ

Insulation resistance	≥ 10 MΩ
Length of cable	6 m

General characteristics

Coding	A - standard
Surge voltage category	II
Pollution degree	2
Degree of protection	IP68
Contact material	CuSn
Contact surface material	Au
Contact carrier material	PUR
Material of grip body	PUR
Material, knurls	Nickel-plated brass
Status display	No
Test voltage	2500 V

Conductor data

Cable type	PVC yellow IEC color code
Conductor cross section	0.75 mm ²
AWG signal line	18
Conductor structure signal line	41x 0.16 mm
External cable diameter	6.30 mm
Wire colors	Black, brown, blue, white
External sheath, color	Yellow RAL 1021
Outer sheath, material	PVC

Certificates / Approvals

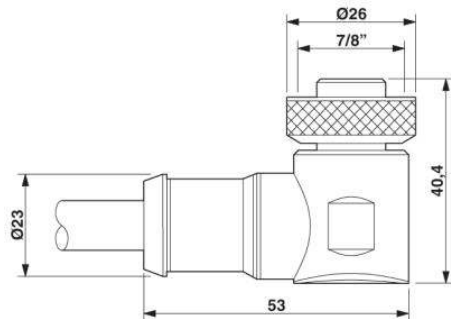


Certification

CUL Listed, UL Listed

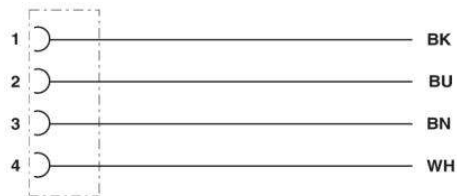
Diagrams/Drawings

Dimensioned drawing

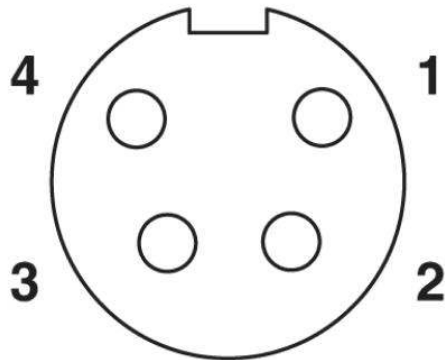


7/8"-16UNF socket, angled

Circuit diagram



Schematic diagram



Pin assignment, socket, 7/8"-16UNF, 4-pos., view of female side

Address

PHOENIX CONTACT Deutschland GmbH
Flachmarktstr. 8
32825 Blomberg, Germany
Phone +49 5235 3 12000
Fax +49 5235 3 41200
<http://www.phoenixcontact.de>



© 2011 Phoenix Contact
Technical modifications reserved;