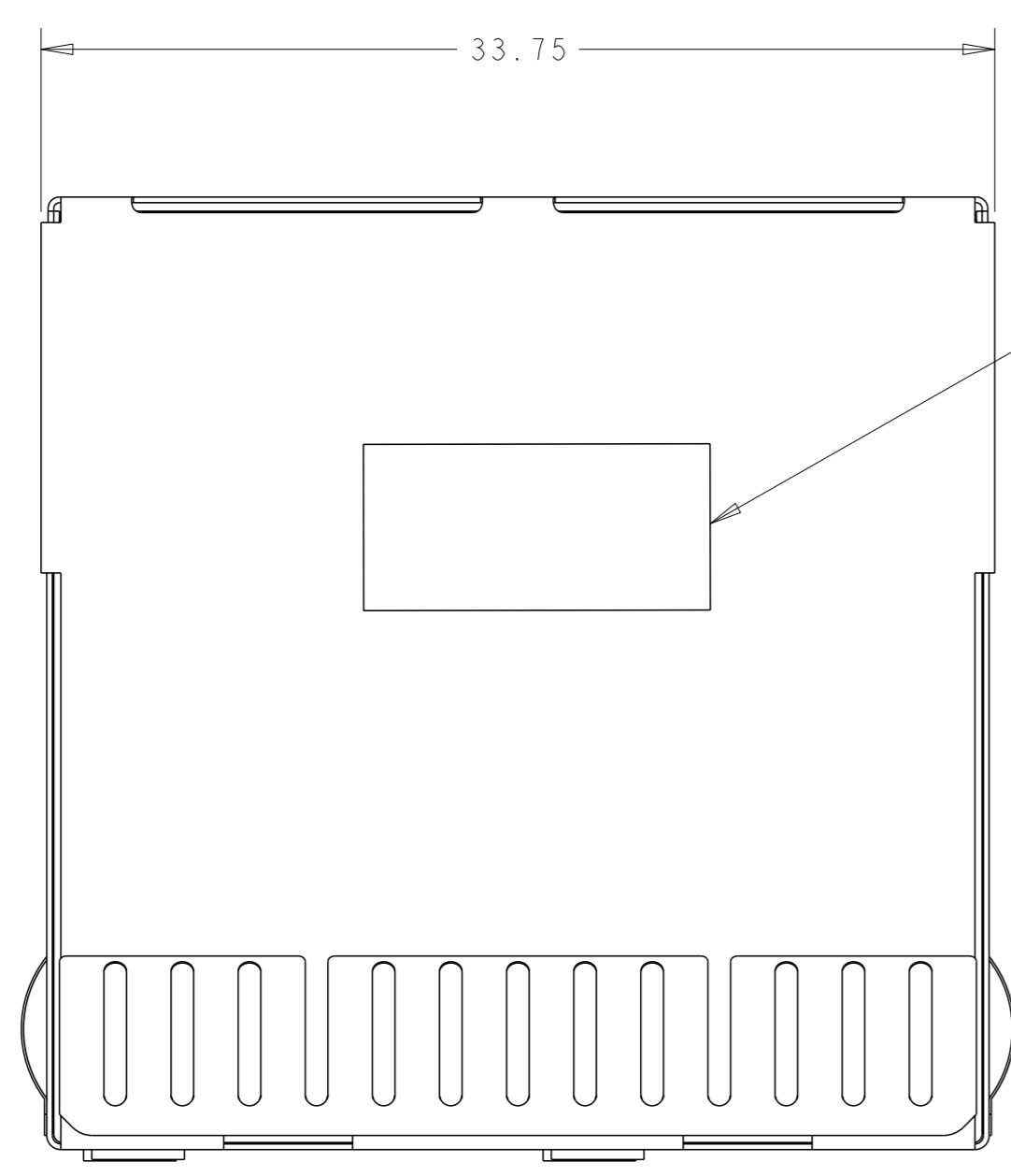
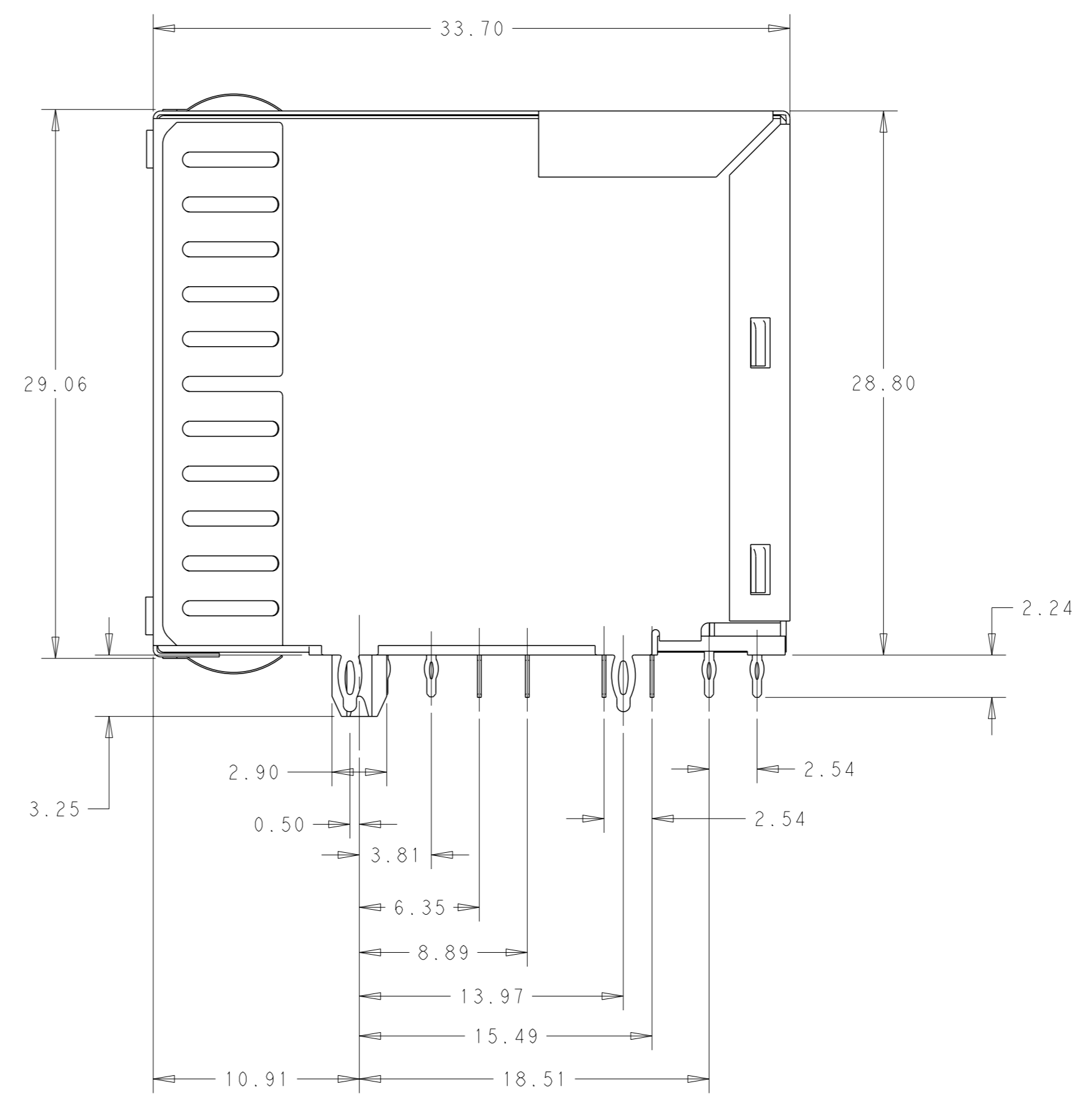
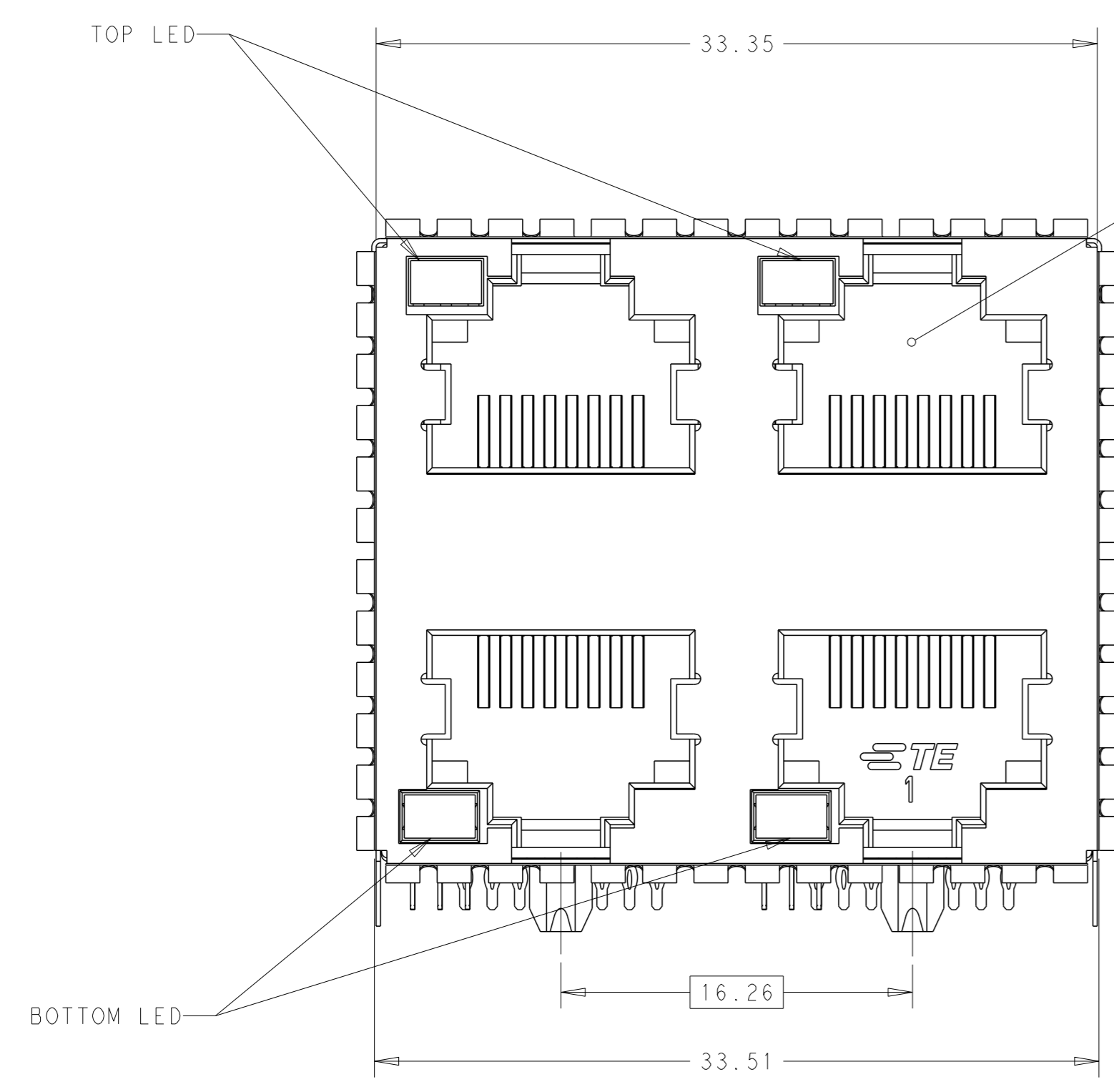


REVISIONS				
#	LY#	DESCRIPTION	DATE	OWN APVD
A		INITIAL RELEASE	25APR2016	LL SH



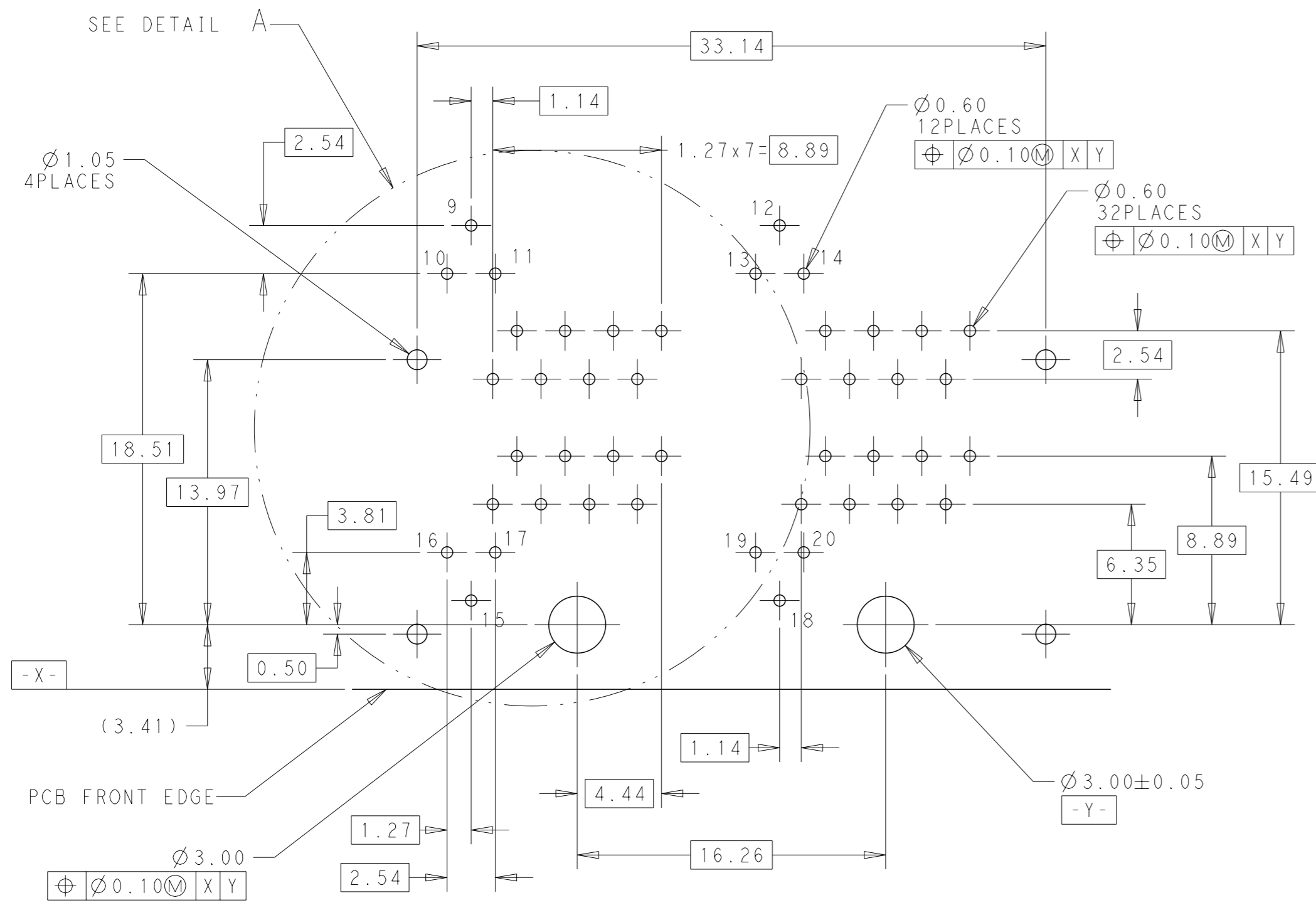
- 1 MATERIAL:  
HOUSING - HIGH TEMPERATURE THERMOPLASTIC, BLCBK, UL94V-0.  
OVERMOLDED TERMINAL ARRAY - HIGH TEMPERATURE THERMOPLASTIC, BLCBK.  
TERMINALS - 0.3 THICK PHOS BRONZE, PLATED WITH 0.76um MIN THICK GOLD ON CONTACT AREA AND 1.27um MINIMUM NICKEL UNDERPLATED OVERALL.  
PRESS FIT PINS- 0.2 THICK PHOS BRONZE, PLATED WITH 2.03um MATTE TIN IN EON AREA, AND 1.27um MINIMUM NICKEL UNDERPLATED OVERALL.  
SHIELD - 0.20 THICK COPPER ALLOY PREPLATED WITH 1.27um MIN NICKEL OVER ALL.  
COMPENSATION PCB: FR-4  
EMI SPRING - 0.08 THICK PHOS BRONZE, PLATED WITH 1.27um MIN NICKEL.
- 2 JACK CAVITY CONFORMS TO FCC RULES AND REGULATIONS PART 68, SUBPART F.
- 3 PART NUMBER, DATE CODE TO BE MARKED IN APPROXIMATE LOCATION SHOWN.



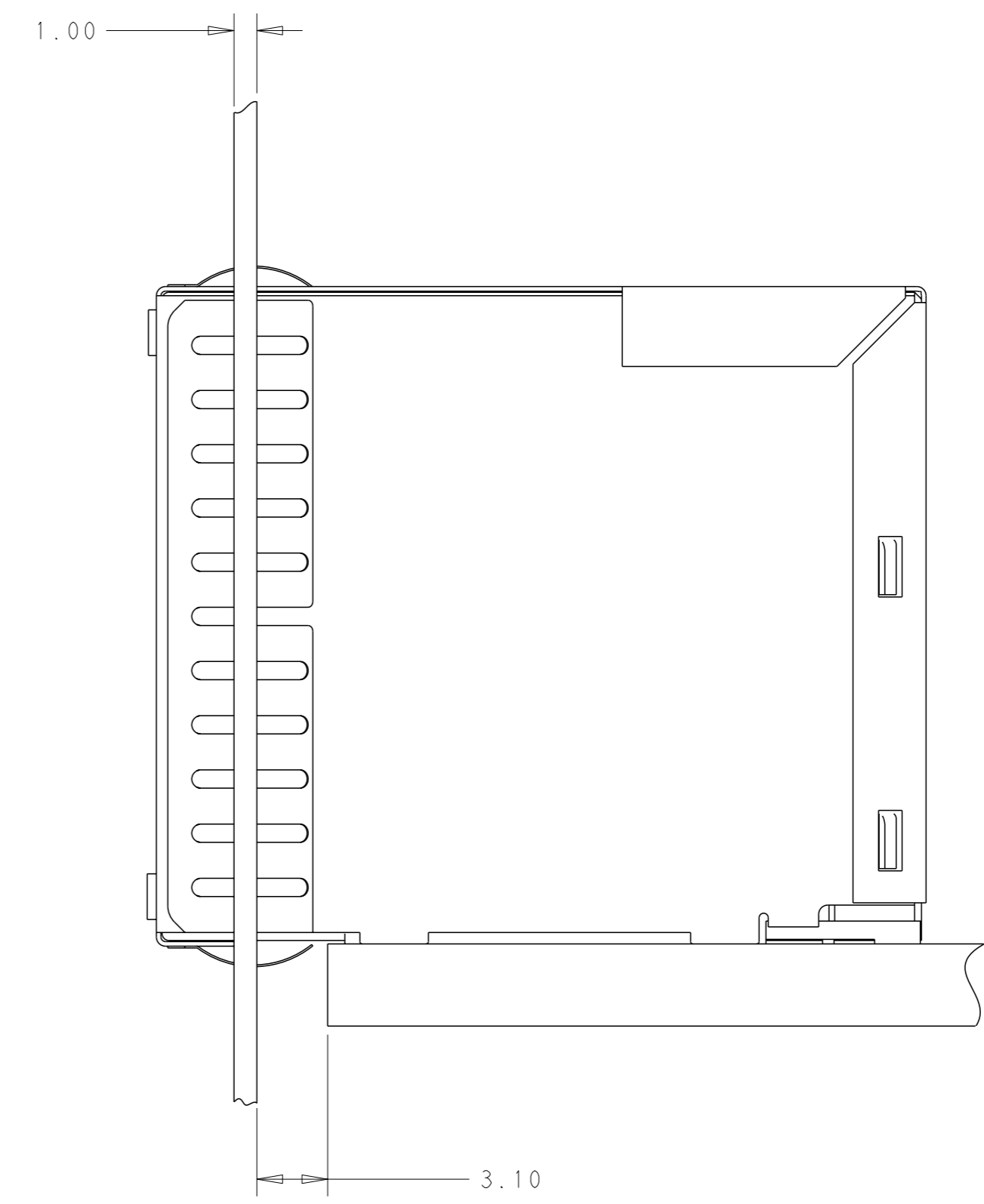
TRAY PACKAGE	2303402-1 PART NO.
--------------	--------------------

THIS DRAWING IS A CONTROLLED DOCUMENT.		OWN: LEO LI 25APR2016	 TE Connectivity	NAME: STACKED, MODULAR JACK RJ45 2X2 CAT5E, W/LED
DIMENSIONS: mm		CHK: SEAN HAN 25APR2016		PRODUCT SPEC: 108-60109
TOLERANCES UNLESS OTHERWISE SPECIFIED:		APVD: SEAN HAN 25APR2016		APPLICATION SPEC: 114-60018
0 PLC ± 1 PLC ±0.25 2 PLC ±0.25 3 PLC ± 4 PLC ± ANGLES FINISH ±		SIZE: 114-60018		RESTRICTED TO: -
MATERIAL: 1		WEIGHT: -	CUSTOMER DRAWING	SCALE: 4:1 SHEET 1 OF 2 REV A

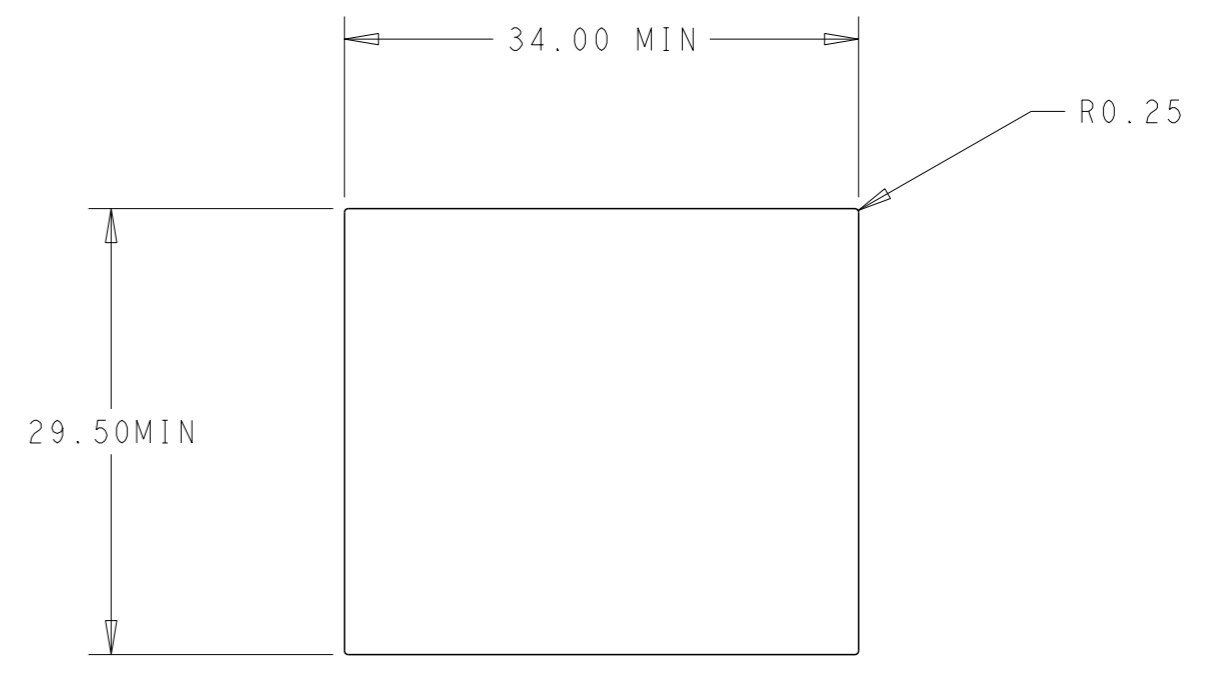
REVISIONS				
#	LY#	DESCRIPTION	DATE	OWN / APVD
-	-	SEE SHEET 1	-	-



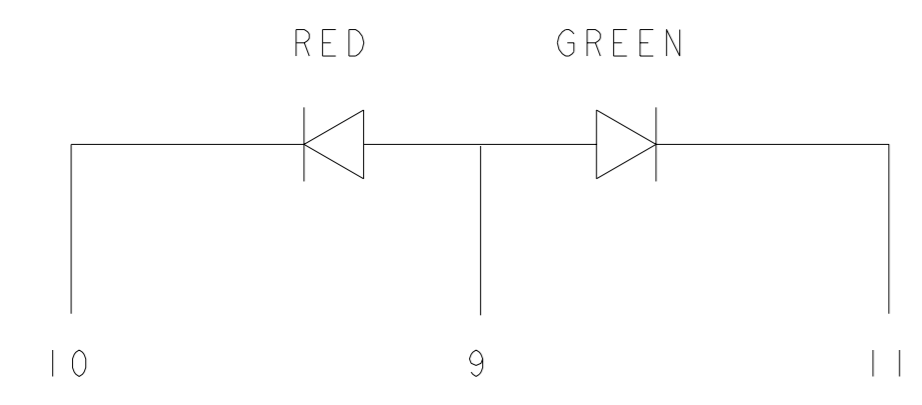
RECOMMENDED PC BOARD LAYOUT VIEWED FROM COMPONENT SIDE



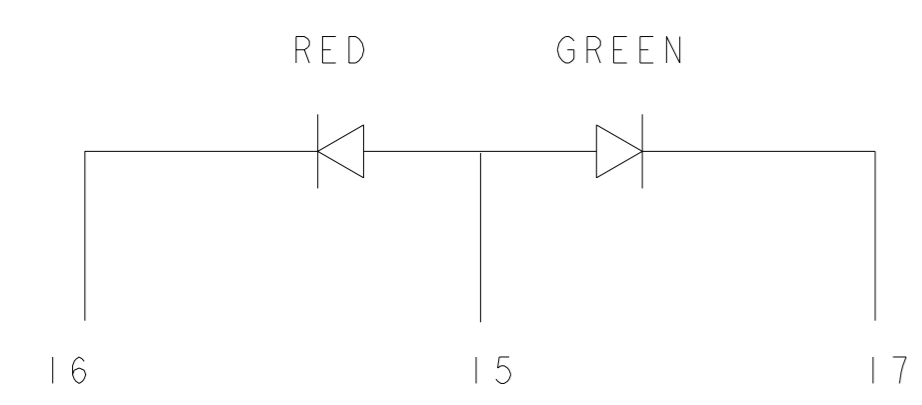
VIEW SHOWN ASSEMBLED TO PCB AND RECOMMENDED PANEL



RECOMMENDED PANEL LAYOUT

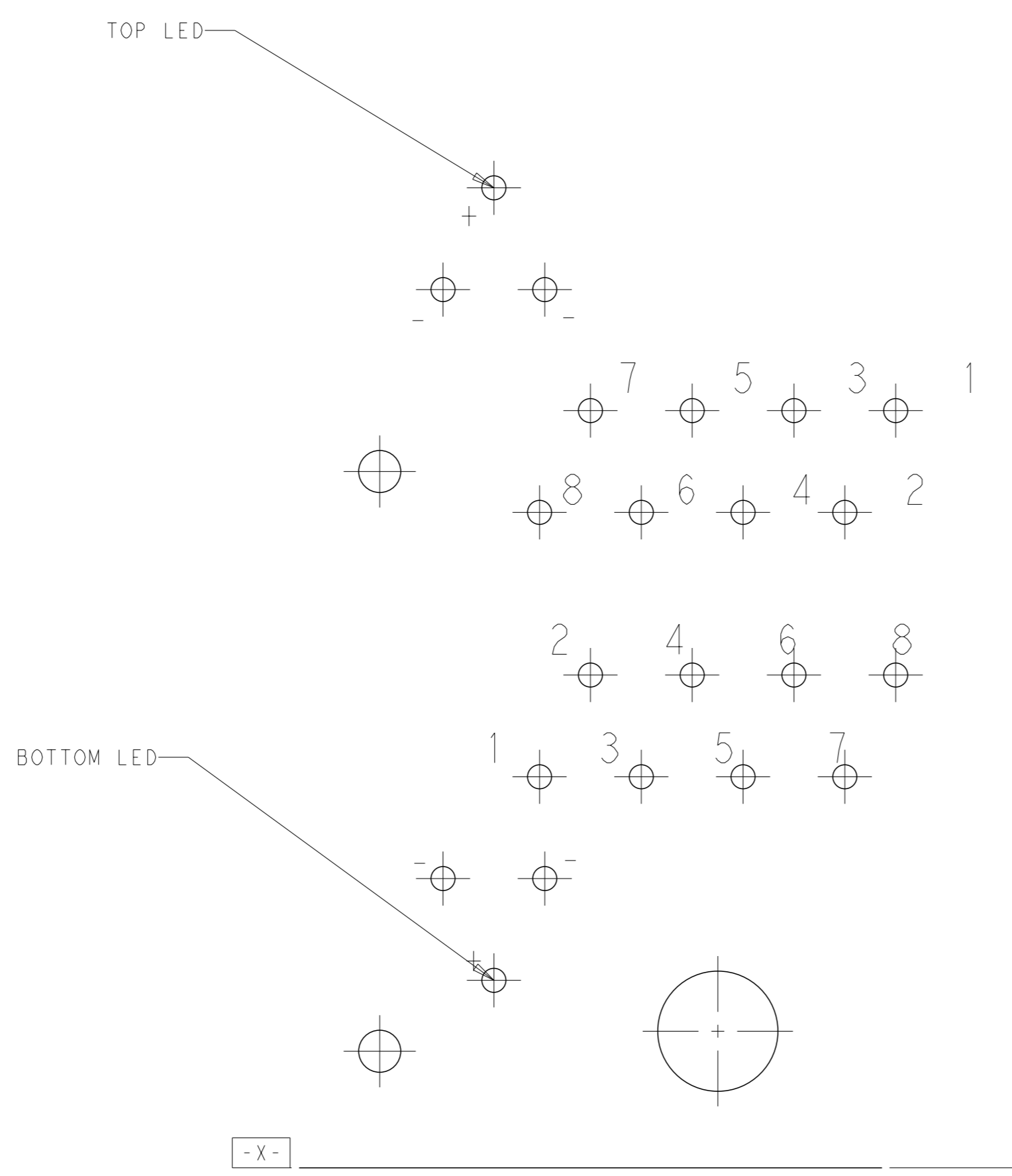


TOP LED



BOTTOM LED

LED SHCMA TIC  
LED WILL EMULATE "YELLOW" LIGHT WHEN BOTH GREEN AND RED  
DIODES ARE DRIVEN AT CONSTANT CURRENT.



DETAIL A  
SCALE 8:1

THIS DRAWING IS A CONTROLLED DOCUMENT.		OWN: LEO LI	25APR2016	TE Connectivity
DIMENSIONS: mm		CHK: SEAN HAN	25APR2016	
TOLERANCES UNLESS OTHERWISE SPECIFIED:		APVD: SEAN HAN	25APR2016	NAME: STACKED, MODULAR JACK RJ45 2X2 CAT5E, W/LED
0 PLC	±	PRODUCT SPEC		SIZE: 108-60109
1 PLC	±0.05	APPLICATION SPEC		SIZE: 114-60018
2 PLC	±0.05			WEIGHT: -
3 PLC	±			CUSTOMER DRAWING
4 PLC	±			SCALE: 4:1
ANGLES	±			SHEET: 2 OF 2
FINISH	±			REV: A