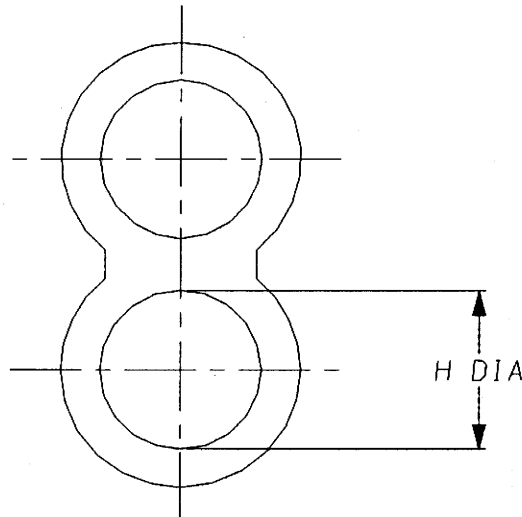
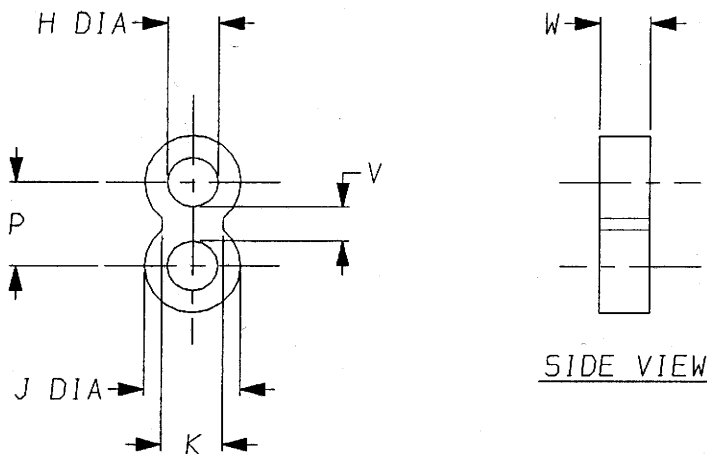


a) Part as supplied

400W242



b) Part after unrestricted recovery



DIMENSIONS (in millimetres)

| Part No.   | H   |      | J    | K    | P    | V     | W  |
|------------|-----|------|------|------|------|-------|----|
|            | MIN | MAX  | MAX  | ±1.2 | ±1.7 | ±0.45 | ±1 |
|            | a   | b    | b    | b    | b    | b     | b  |
| 400W242-25 | 28  | 10.2 | 19.3 | 12   | 17   | 7.0   | 10 |

Copyright (!)

The copyright in this drawing is the property of Tyco Electronics UK Ltd. The drawing is issued on the condition that it is not copied, reproduced or disclosed to a third party, either in whole or in part without the prior written consent of Tyco Electronics UK Ltd.

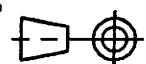
Drawn A.LILLEY. Checked *[Signature]* Issue 1 Date March 2001

Conforms to ISO Recommendations  
 3rd Angle Projection  
 Not to Scale

Approval  
 Design

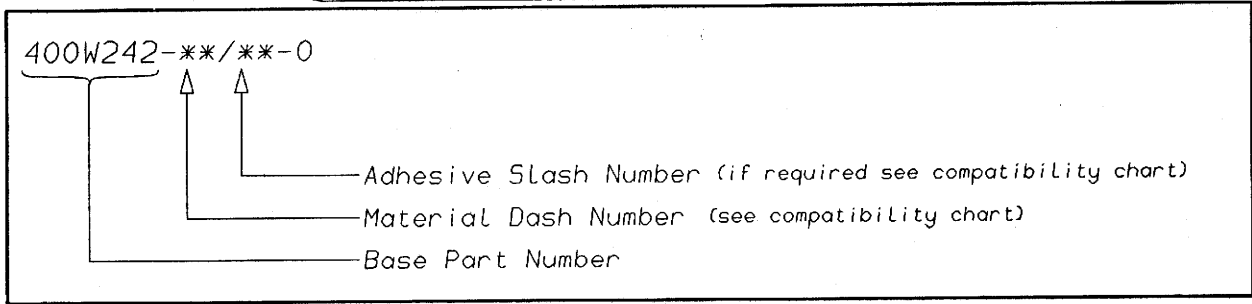
*[Signature]*

MKTG. *[Signature]* Q.A. *[Signature]*



| Iss. | Date | E.C.R. No. | Details of Change |
|------|------|------------|-------------------|
|      |      |            |                   |

### (Ordering Information)



### (COMPATIBILITY CHART)

| MATERIAL DASH NUMBER | MATERIAL DESCRIPTION       | COATING SLASH NUMBER |
|----------------------|----------------------------|----------------------|
| -3                   | POLYOLEFIN, SEMI-RIGID     | /42 ,/86             |
| -4                   | POLYOLEFIN, FLEXIBLE       | /42 ,/86             |
| -25                  | ELASTOMER, FLUID RESISTANT | /86,/225             |
| -100                 | ZERO HALOGEN               | /86                  |
|                      |                            |                      |
|                      |                            |                      |

AS SUPPLIED DIMENSIONS ARE FOR UNCOATED PARTS,  
WHEN COATING IS ADDED, ENTRY DIAMETERS WILL REDUCE BY 1.5mm MAX.

Raychem Wire & Harness  
 a Division of Tyco Electronics  
 Faraday Road,  
 Swindon, Wiltshire, England. SN3 5JA  
 Telephone: (01793) 528171 Fax: 572516

Raychem Wire & Harness  
 a Division of Tyco Electronics  
 300, Constitution Drive, Menlo Park,  
 California 94025-1164, USA  
 Telephone (650) 361-3333 Fax: (650) 361-5579