

MATERIALS AND FINISHES

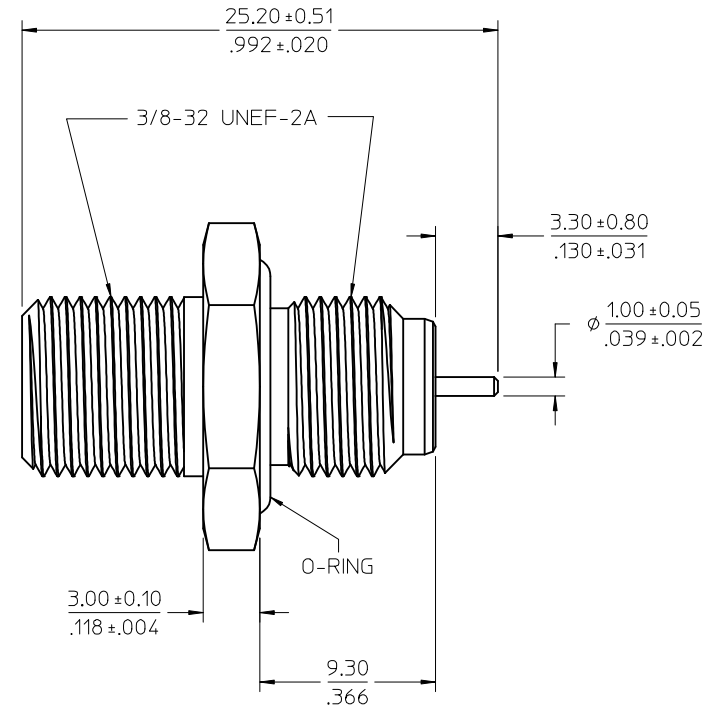
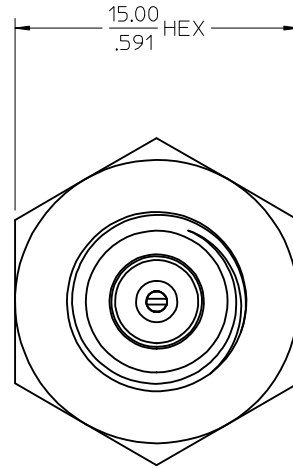
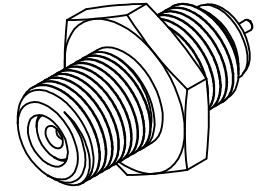
BODY: BRASS
PLATED NICKEL

CONTACT FEMALE: PHOSPHOR BRONZE
PLATED TIN

CONTACT MALE: BRASS
PLATED TIN

INSULATORS: POLYPROPYLENE

GASKET/O-RING: SILICONE RUBBER



PART # 73100-0079

PS-89675-3640	ELEC/MECH PERFORMANCE
SPECIFICATION	DESCRIPTION

CHG: REDREW IN SD AND LOADED INTO WM.
EC NO: URF2009-0736
DRAWN: ROBERTSON 2009/06/10
CHKD: SSS 2009/06/10
APPR: WIENER 2009/06/10

QUALITY SYMBOLS
 = 0
 = 0
 DESCRIPTION
 REV

GENERAL TOLERANCES (UNLESS SPECIFIED)

	mm	INCH
4 PLACES	± .005	± .0002
3 PLACES	± .008	± .0003
2 PLACES	± .010	± .0004
1 PLACE	± .015	± .0006

ANGULAR ± 2 °

DRAFT WHERE APPLICABLE MUST REMAIN WITHIN DIMENSIONS

DIMENSION STYLE: MM/IN
 DRAWN BY: CM DENG
 DATE: 1993/07/08
 CHECKED BY: R FIELDS
 DATE: 1993/07/08
 APPROVED BY: _____
 DATE: _____

SCALE: METRIC
 DESIGN UNITS: METRIC
 THIRD ANGLE PROJECTION
 TITLE: F JACK RECEPTACLE F-JR
 molex MOLEX INCORPORATED
 MATERIAL NO. 731000079
 DOCUMENT NO. SD-73100-0079
 SHEET NO. 1 OF 1

SIZE C THIS DRAWING CONTAINS INFORMATION THAT IS PROPRIETARY TO MOLEX INCORPORATED AND SHOULD NOT BE USED WITHOUT WRITTEN PERMISSION