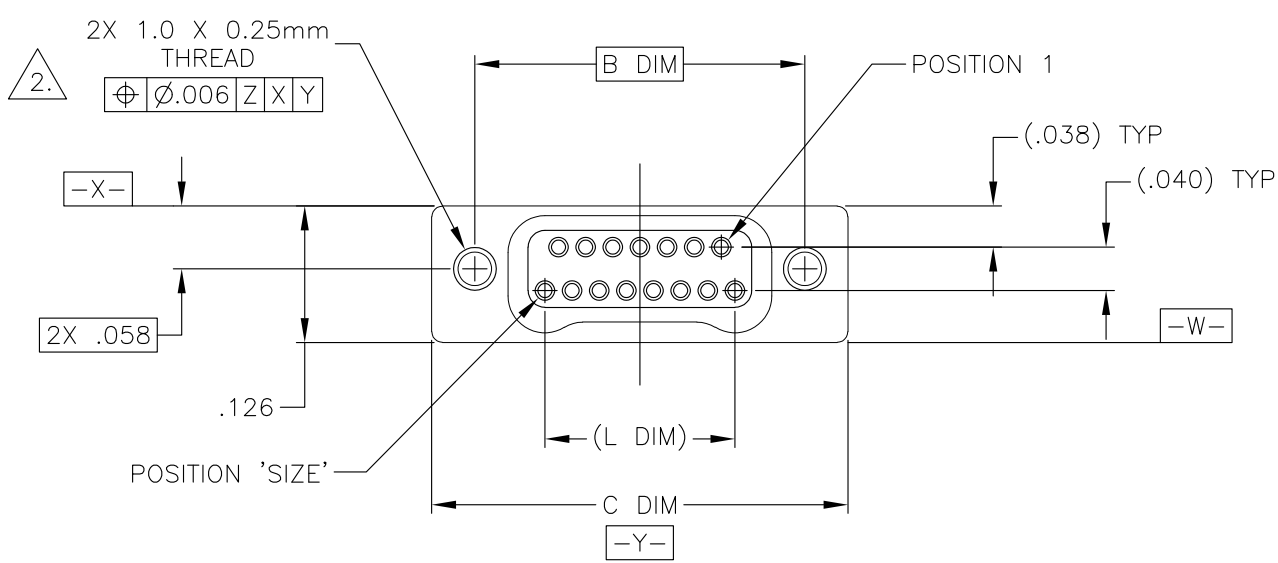
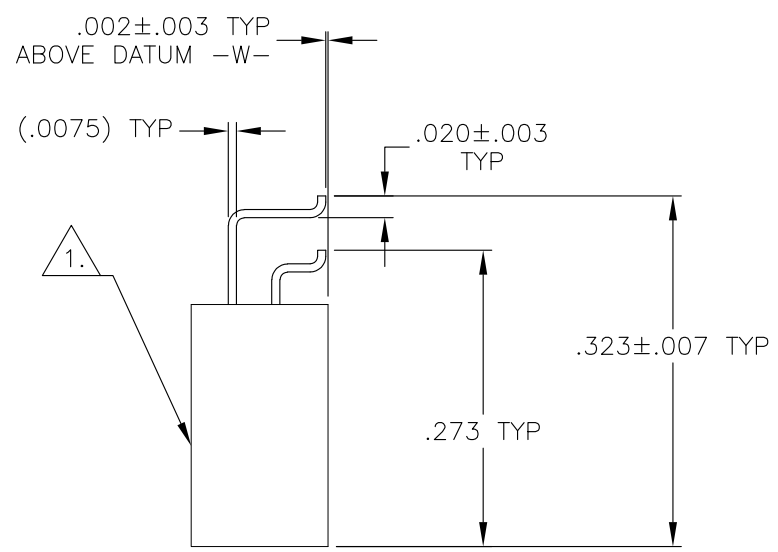
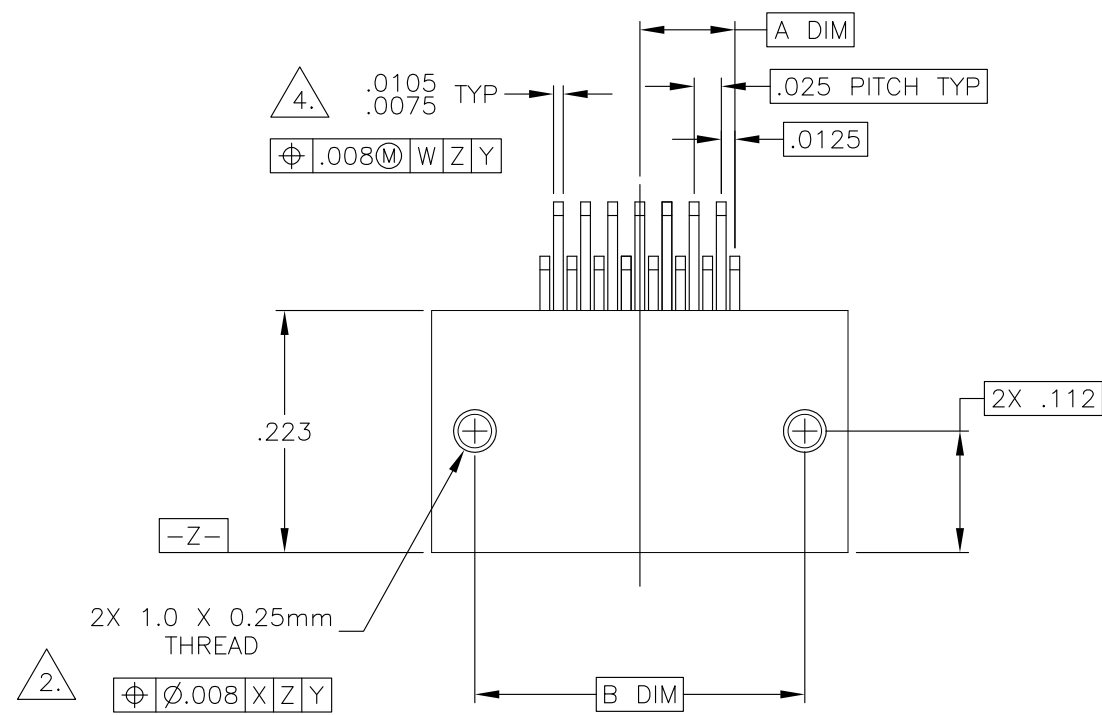


THIS DRAWING IS UNPUBLISHED. RELEASED FOR PUBLICATION
 © COPYRIGHT - By - ALL RIGHTS RESERVED.

LOC		DIST		REVISIONS			
P	LTR	DESCRIPTION	DATE	DWN	APVD		
	U2	REVISED PER ECO-14-013212	09OCT14	MGM	CT		



SIZE	A DIM	B DIM	C DIM ±.0050	(L DIM)
09	.050	.229	.3085	(.100)
15	.0875	.304	.3835	(.175)
25	.150	.429	.5085	(.300)
37	.225	.579	.6585	(.450)
51	.3125	.754	.8335	(.625)
65	.400	.929	1.0085	(.800)

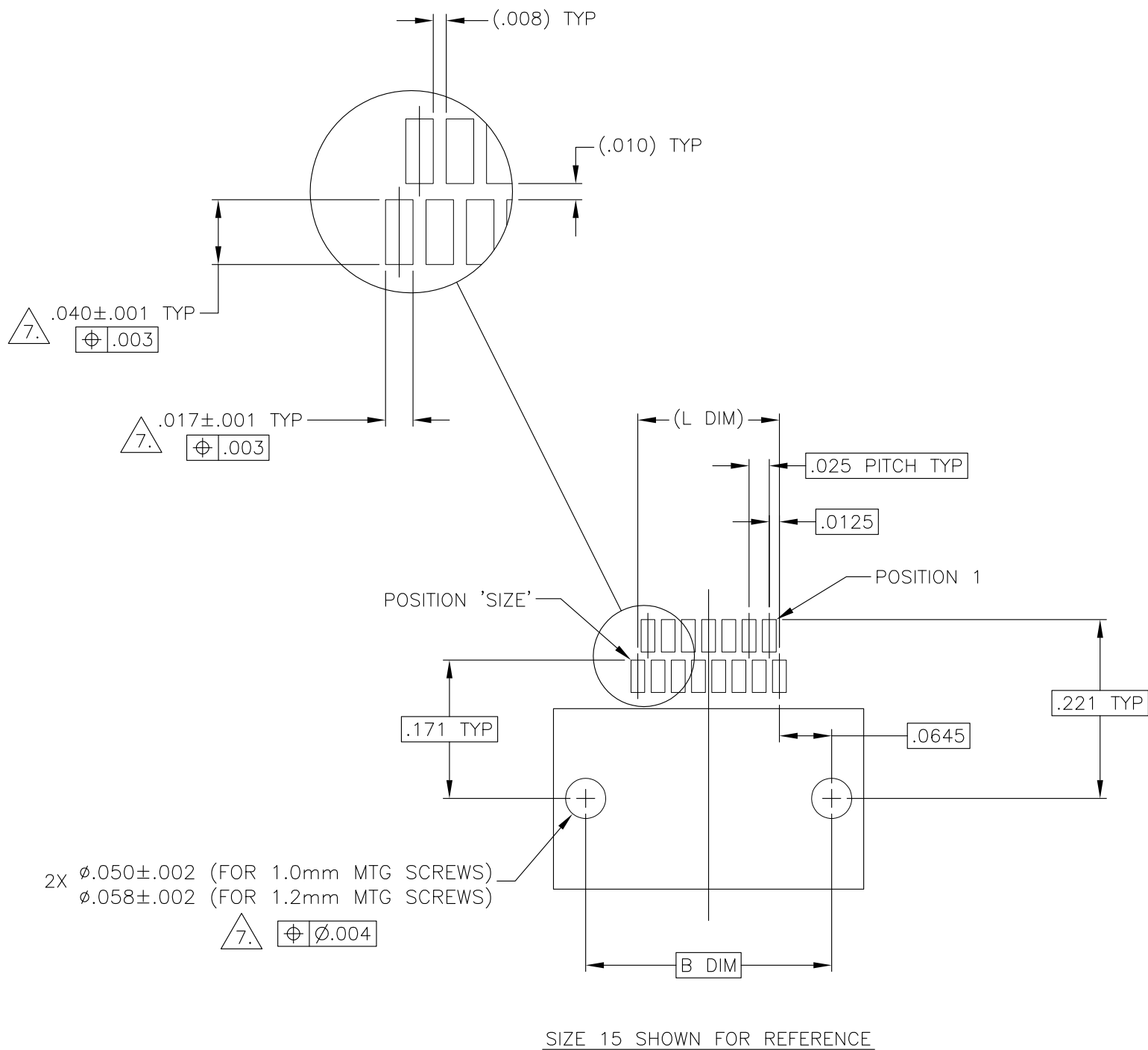
1. SHELL OPTIONS (TO BE SPECIFIED IN NANONICS PART NUMBER):
 METAL: 6061-T6 ALUMINUM, ELECTROLESS NICKEL PLATED PER MIL-C-26074 (STANDARD) OR GOLD PLATED PER MIL-G-45204
 303 STAINLESS STEEL, PASSIVATED PER SAE-AMS-QQ-P-35
 INSULATOR MATERIAL FOR ALL METAL SHELLS IS LIQUID CRYSTAL POLYMER (LCP) PER MIL-M-24519 OR PER ASTM D5138
 PLASTIC: LIQUID CRYSTAL POLYMER (LCP) PER MIL-M-24519 OR PER ASTM D5138
2. STANDARD 1.0 X 0.25mm MOUNTING AND JACKSCREW THREADS ARE SHOWN FOR REFERENCE ONLY AND MUST BE SPECIFIED IN THE NANONICS PART NUMBER WHEN REQUIRED. 1.2 X 0.25mm THREADS ALSO AVAILABLE.
3. MOUNTING HARDWARE IS AVAILABLE WITH THIS CONFIGURATION (NOT SHOWN). HARDWARE MUST BE SPECIFIED IN THE NANONICS PART NUMBER. CONSULT TE CONNECTIVITY FOR DETAILS.
4. SMT LEADS ARE BeCu, TIN LEAD PLATED 60/40 COMPOSITION PER SAE-AMS-P-81728.
5. NANONICS TERMINATION CODE: L2
6. THIS DRAWING PREVIOUSLY IDENTIFIED AS NANONICS N10138/230

THIS DRAWING IS A CONTROLLED DOCUMENT.

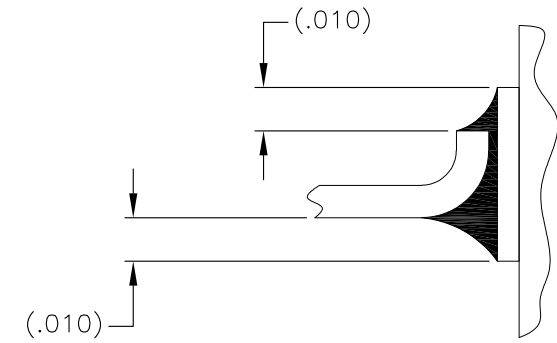
DIMENSIONS: INCHES	TOLERANCES UNLESS OTHERWISE SPECIFIED:	DWN M. STORRY 15 FEB 01	
	0 PLC ± -	CHK S. KAIN 15 FEB 01	
	1 PLC ± -	APVD -	
	2 PLC ± .010	PRODUCT SPEC -	
MATERIAL SEE NOTES	FINISH SEE NOTES	APVD -	NAME RECEPTACLE ASSEMBLY, HORIZONTAL SURFACE MOUNT, TWO ROW DUALLOBE, PLASTIC OR METAL
		APVD -	SIZE A2 CAGE CODE 00779 DRAWING NO C=1589483 RESTRICTED TO -
		WEIGHT -	SCALE 8:1 SHEET 1 OF 2 REV U2
		CUSTOMER DRAWING	

THIS DRAWING IS UNPUBLISHED. RELEASED FOR PUBLICATION
 © COPYRIGHT - By - ALL RIGHTS RESERVED.

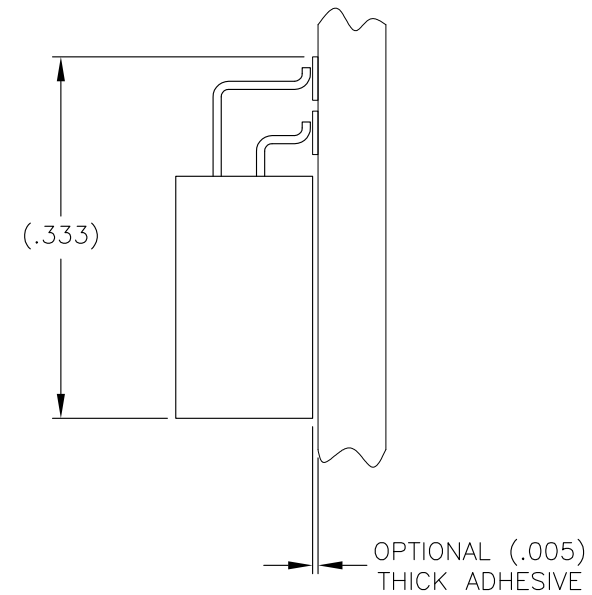
LOC		DIST		REVISIONS			
P	LTR	DESCRIPTION	DATE	DWN	APVD		
-	-	SEE SHEET 1	-	-	-		



TYPICAL PCB LAYOUT



TYPICAL FOOT PLACEMENT ON SOLDER PAD



7. POSITIONAL TOLERANCES FOR BASIC DIMENSIONED FEATURES ARE RELATIVE TO FIDUCIALS OR SOME SIMILAR DATUM REFERENCE DEFINED BY THE PCB DESIGNER.

THIS DRAWING IS A CONTROLLED DOCUMENT.		DWN	M. STORRY	15 FEB 01	 TE Connectivity						
DIMENSIONS: INCHES		CHK	S. KAIN	15 FEB 01							
TOLERANCES UNLESS OTHERWISE SPECIFIED:		APVD	-	-							
0 PLC ± - 1 PLC ± - 2 PLC ± - 3 PLC ± - 4 PLC ± - ANGLES ± - FINISH -		PRODUCT SPEC	-	NAME		RECEPTACLE ASSEMBLY, HORIZONTAL SURFACE MOUNT, TWO ROW DUALLOBE, PLASTIC OR METAL					
MATERIAL	-	APPLICATION SPEC	-	SIZE	A2	CAGE CODE	00779	DRAWING NO	C=1589483	RESTRICTED TO	-
		WEIGHT	-	CUSTOMER DRAWING	SCALE	8:1	SHEET	2 OF 2	REV	U2	