

Data Sheet

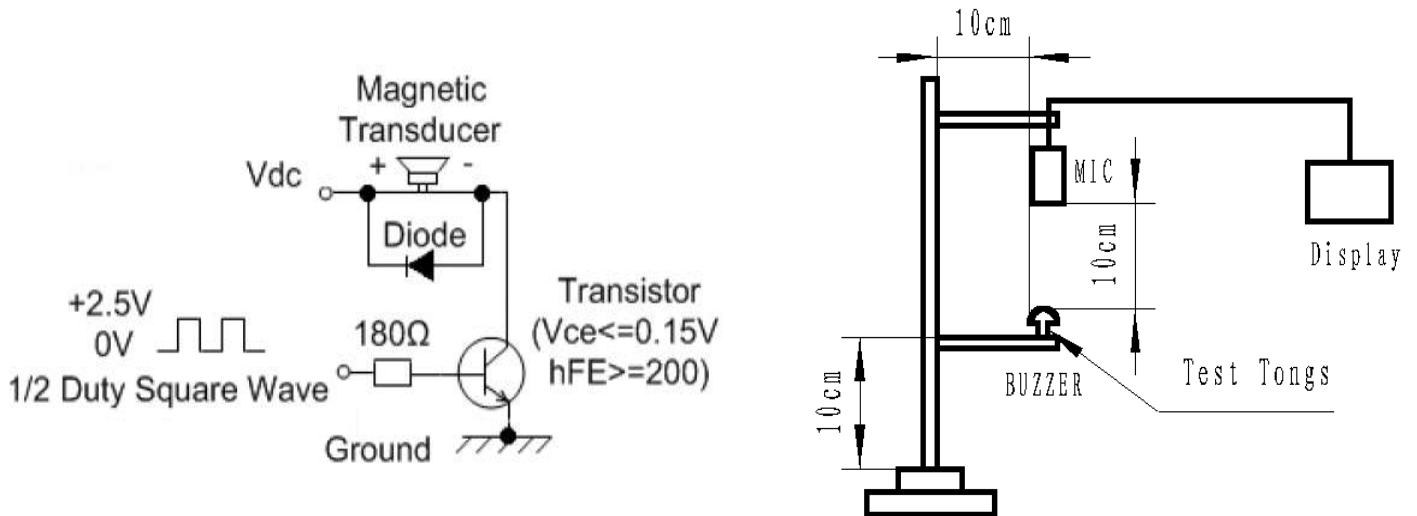
SMT-1035-S-2-R

Specifications

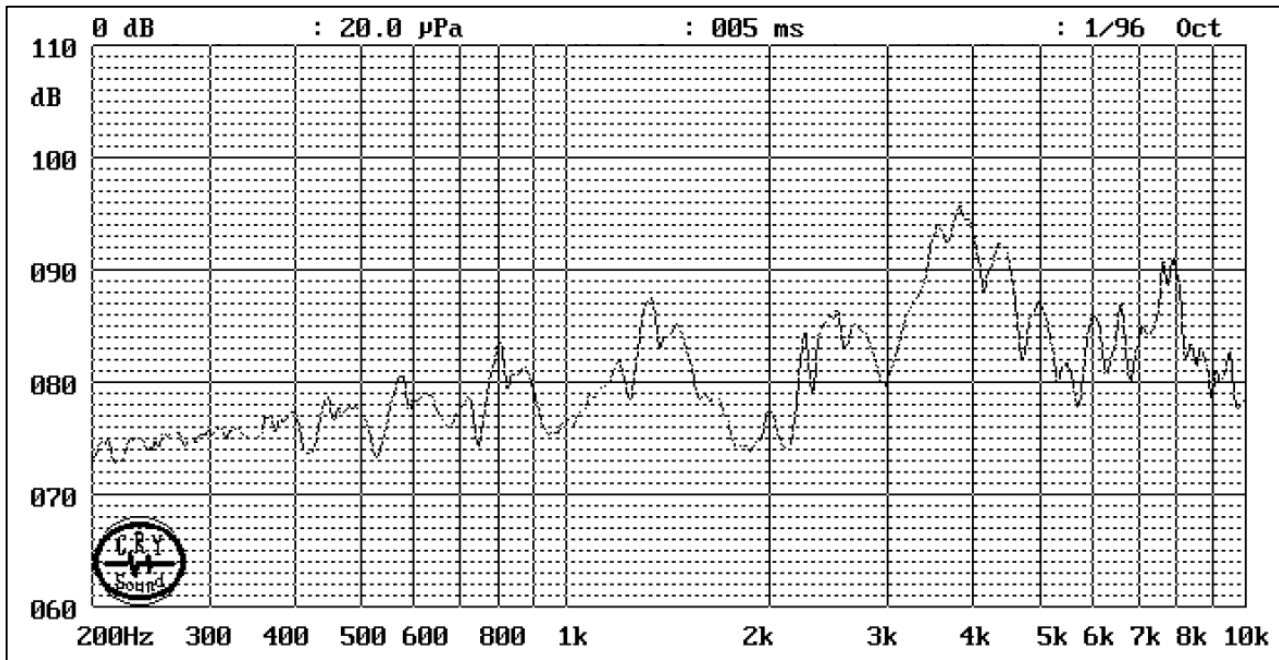
Parameters	Values	Units
Rated Voltage	3.6	V0-peak
Operating Voltage Range	3 ~4.5	V0-peak
Coil Resistance	18 ± 5	Ohms
Resonant Frequency	3500 ± 20%	Hz
Minimum SPL @ 10cm (at rated voltage)	90	dBa
Max Current Consumption*	100	mA
Case Material	Black LCP	-
Terminal Material	Gold-plated Brass	-
Operating Temperature	-20 ~ +70	°C
Storage Temperature	-40 ~ +85	°C
Weight	0.8	Grams

*With rated voltage applied at resonant frequency with a 50% duty cycle square wave

Measurement Method

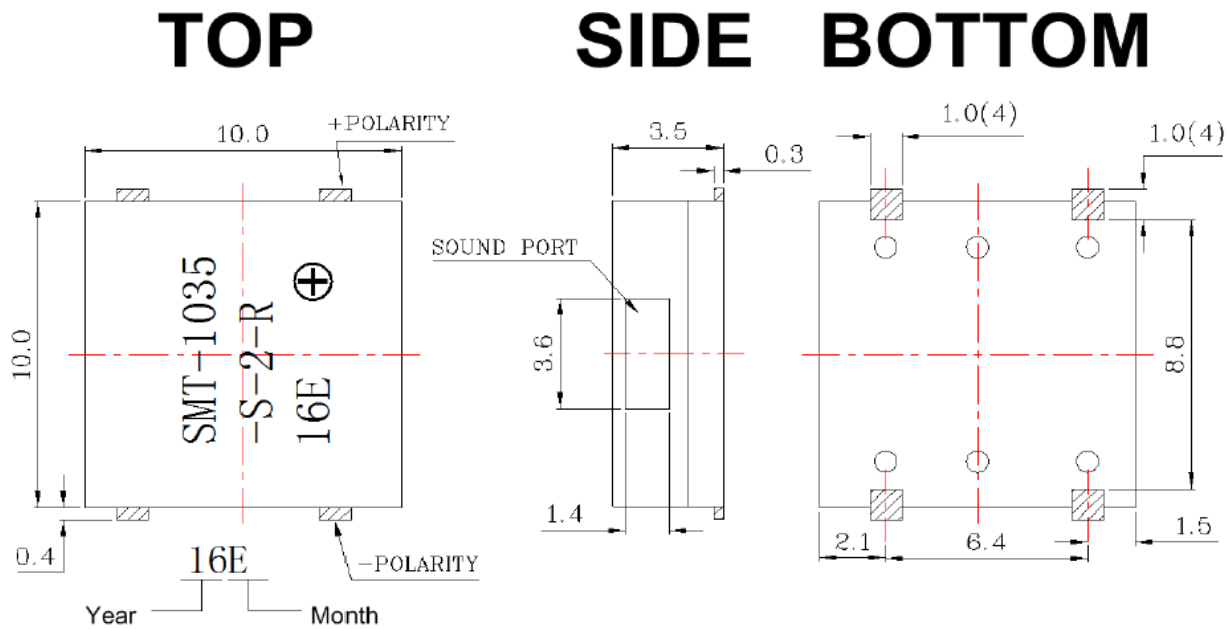


Frequency Response (measured with 3.6V @ 10cm)

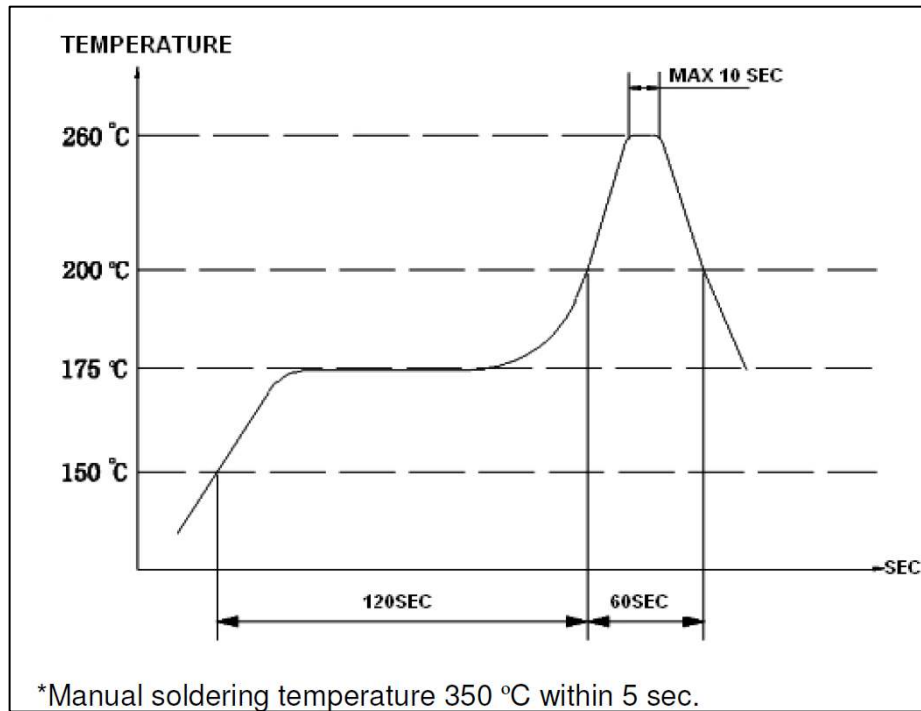


Dimensions (in mm)

Tolerance ± 0.5 mm except where specified



Recommended Reflow Profile

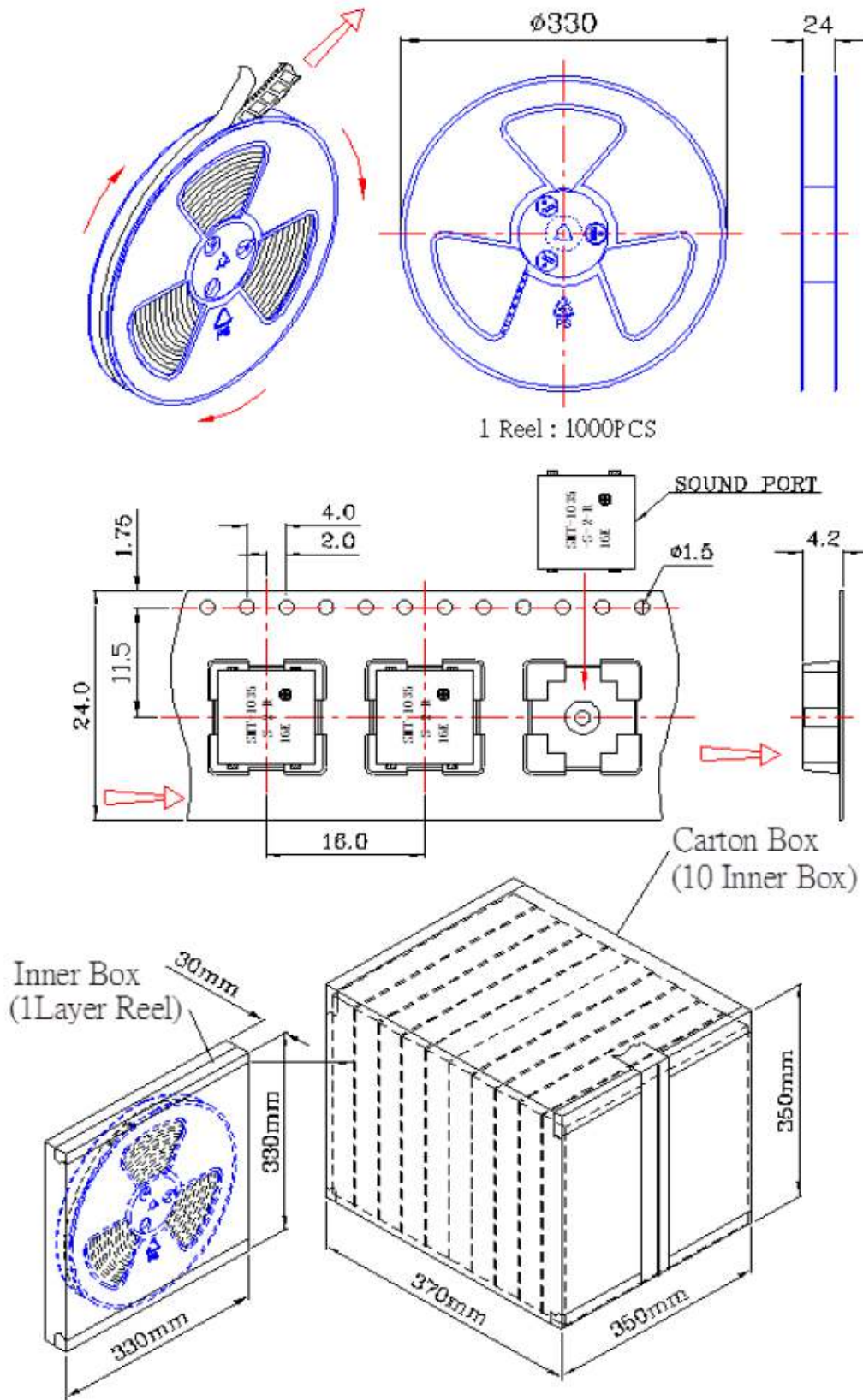


Reliability Testing

Type of Test	Test Specifications
High Temperature Test	96 hours at +85°C ± 2°C followed by two hours in normal room temperature
Low Temperature Test	96 hours at -40°C ± 2°C followed by two hours in normal room temperature
Humidity Test	96 hours at +40°C ± 3°C with relative humidity at 90%~95% followed by two hours in normal room temperature
Temperature Cycle Testing	The part shall be subjected to 5 cycles using the following procedure: Low temperature: -40°C±3°C High temperature: +85°C±3°C Cycle: 30 mins at low, 15 mins at 20°C, 30 mins at high, 15 mins at 20°C
Vibration Test	10 to 55 Hz @ 1.5mm amplitude 2 hours in each axis X, Y, and Z.
Drop Test	Drop part from 75cm onto 40mm thick board, twice per side
Shock Test	Apply 980m/s ² shock to part three times in each axis X, Y, and Z

After the test the part shall meet specifications without any degradation in appearance and performance except SPL shall be initial value±10dB or more.

Packaging 1,000 pieces per reel, 10 reels per master carton, 10,000 pieces per master carton



Specifications Revisions

Revision	Description	Date
-	Released from Engineering	1/30/2018

Note:

1. Unless otherwise specified:
 - A. All dimensions are in millimeters.
 - B. Default tolerances are $\pm 0.5\text{mm}$ and angles are $\pm 3^\circ$.
2. Specifications subject to change or withdrawal without notice.
3. This part is RoHS 2011/65/EU Compliant.