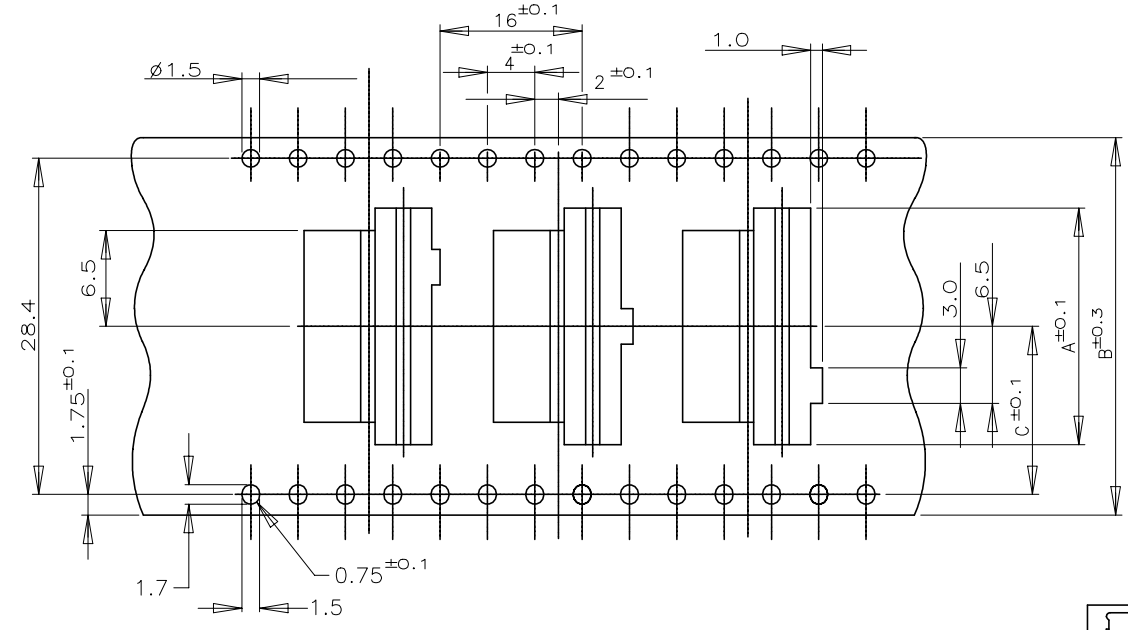
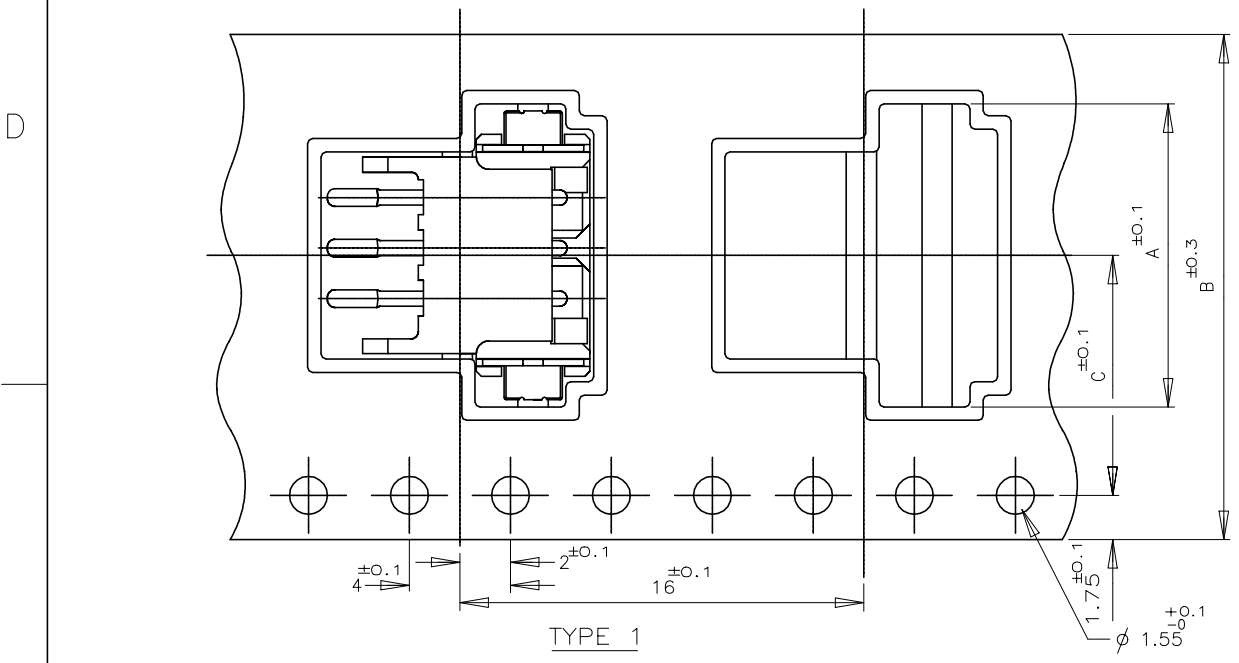
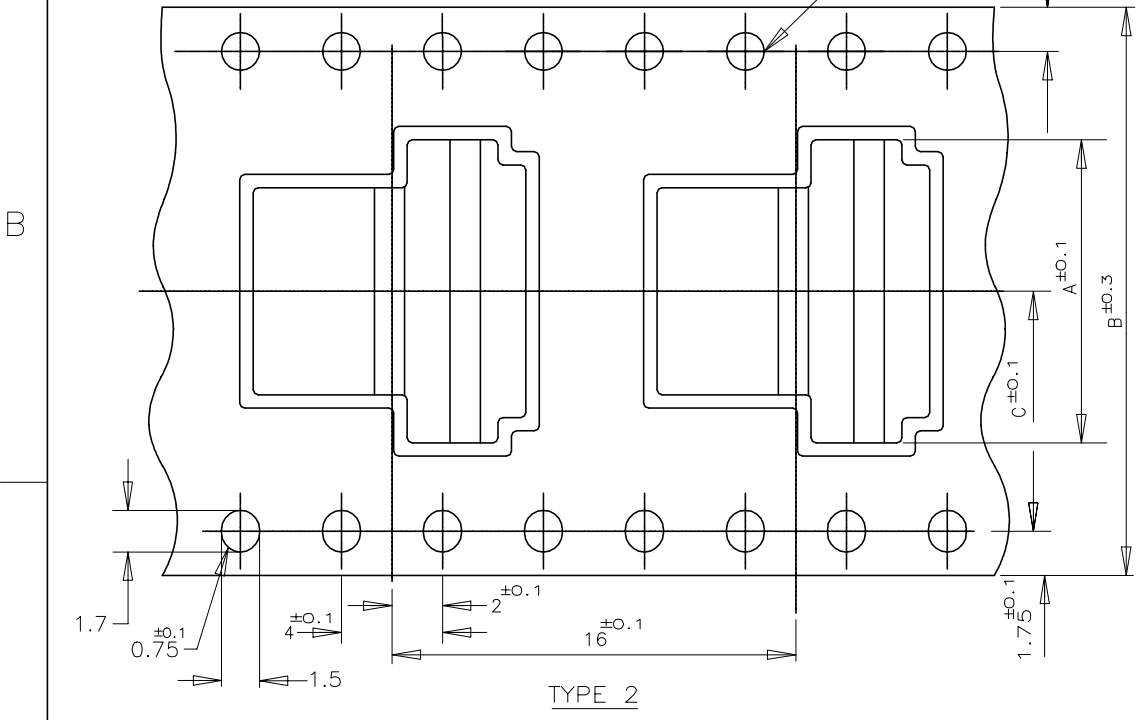
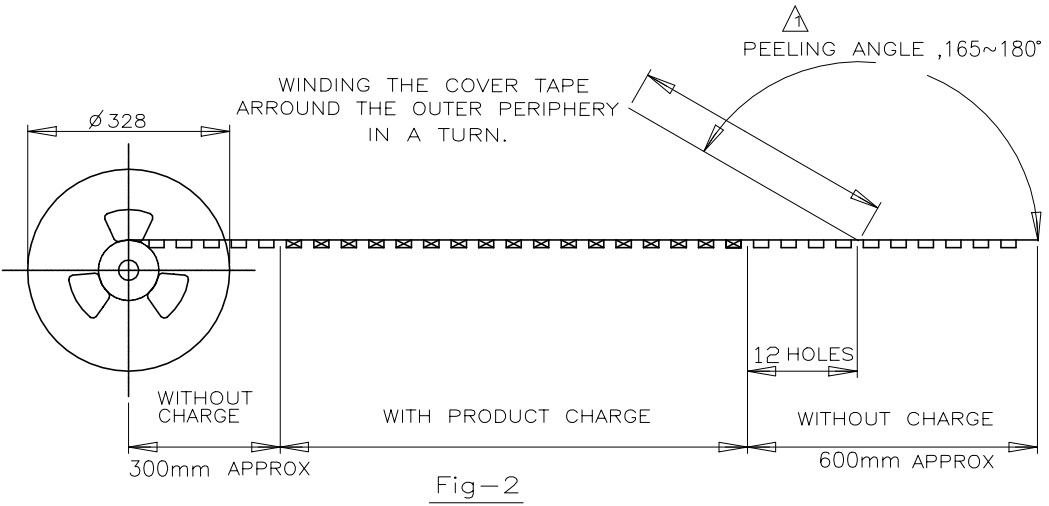
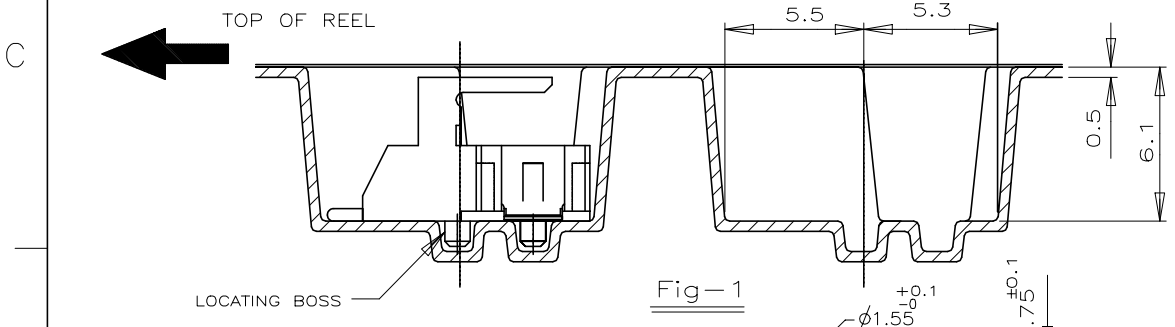
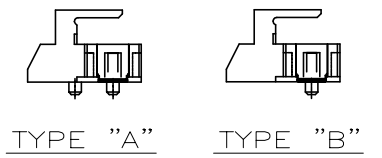


REVISIONS					
P	LTR	DESCRIPTION	DATE	DWN	APVD
C5		ECR-22-127164	26OCT2021	T.Q	N.S

(AS SHOWN : 3P)



THREE KINDS OF DIFFERENT POCKETS AS 1 SET USED FOR 7P ONLY



COLOR	PLATE	TAPE TYPE	TYPE OF BOSS	C		B		A		QTY/ REEL	Pos	TAPING P/N
				WITH	WITHOUT	WITH	WITHOUT	WITH	WITHOUT			
NATURAL	TYPE 2	B	20.2	44	24	500	9	1-292173-9	8	1-	-8	
	TYPE 2	B	14.2	32	18	6	1-	-6				
									TYPE 1	B	11.5	24
	A	12	3	1-	-3							
						A	11.5	24		10	2	1-
B	20.2	44	22	8	0-							
						TYPE 3	B	14.2	32	20	7	0-
TYPE 2	B	14.2	32	18	6							
						BLACK	B	11.5	24	16	5	0-
A	12	3	0-	-3								
					A		11.5	24	10	500	2	0-292173-2
TYPE 1	B	20.2	44	24								

TOLERANCE UNLESS OTHERWISE SPECIFIED:

10 >	± 0.2
30 >	± 0.25
100 >	± 0.3
ANGLE	$\pm 3'$

NOTES:

PEELING RESISTANCE : 0.196N-0.686N (20gf-70gf)

SPEED : 300mm/min

THIS DRAWING IS A CONTROLLED DOCUMENT.		DWN JACK HOU 21SEP10
DIMENSIONS: MM		CHK MARTIN LI 21SEP10
TOLERANCES UNLESS OTHERWISE SPECIFIED:		APVD STEVEN YAO 21SEP10
0 PLC \pm		PRODUCT SPEC
1 PLC \pm		APPLICATION SPEC
2 PLC \pm		WEIGHT
3 PLC \pm		CUSTOMER DRAWING
4 PLC \pm		
ANGLES \pm		
MATERIAL FINISH		



EMBOSS CT HEADER ASSY BOX-H SMT TYPE W/BOSS

SIZE	CAGE CODE	DRAWING NO	RESTRICTED TO
A3	00779	C=292173	-
SCALE	SHEET	REV	
1/1	1 of 8	C5	

P	LTR	DESCRIPTION	DATE	DWN	APVD
-	-	SEE SHEET 1	-	-	-

(AS SHOWN : 3P)

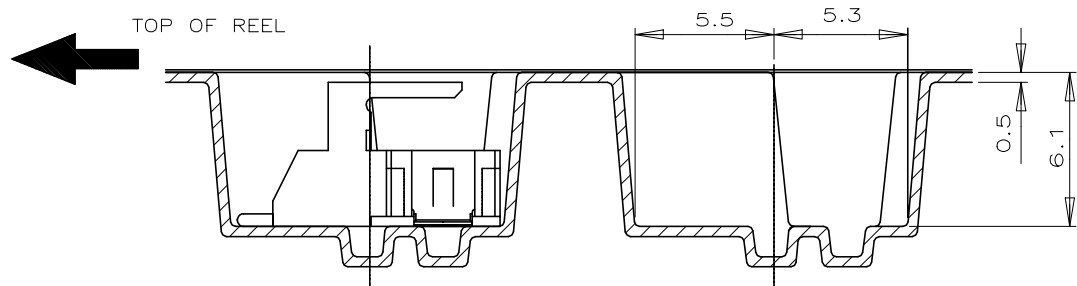
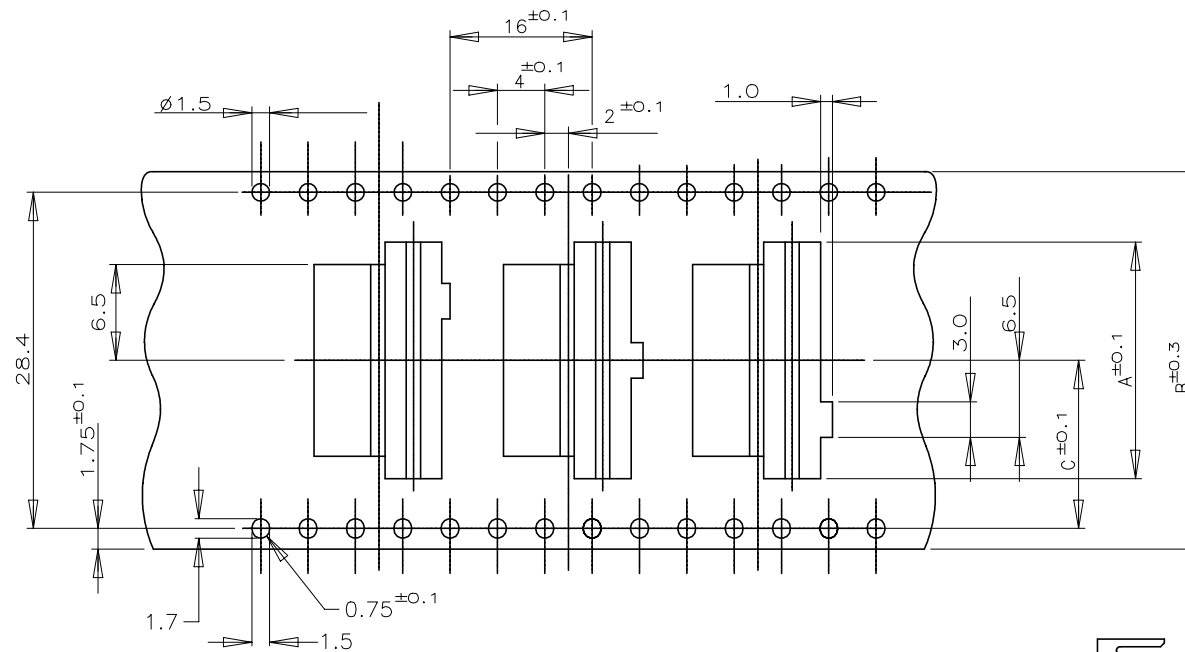
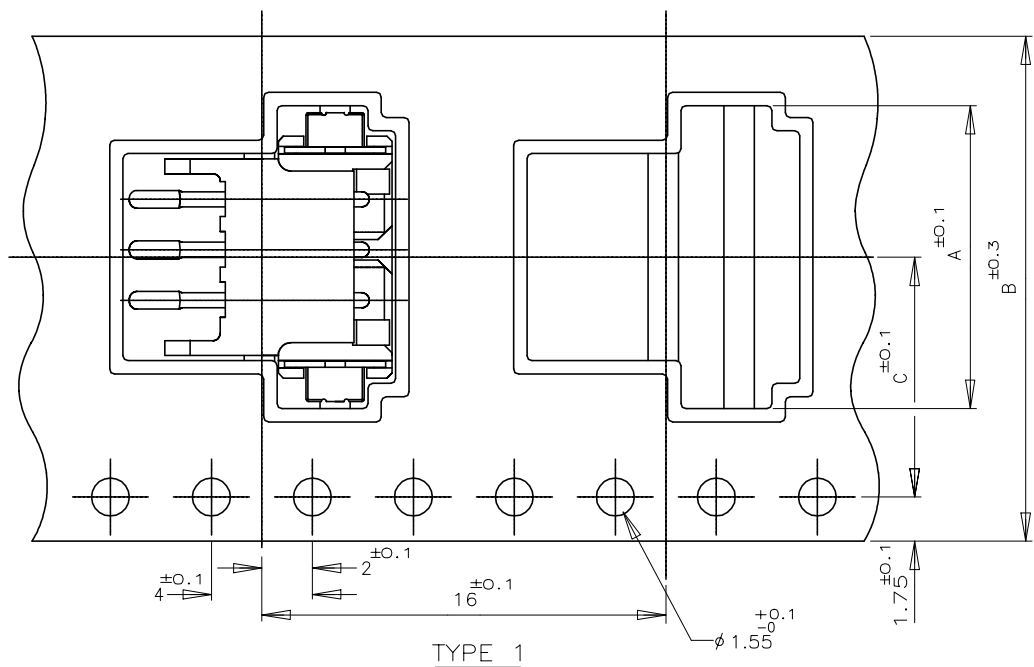
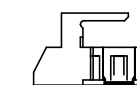
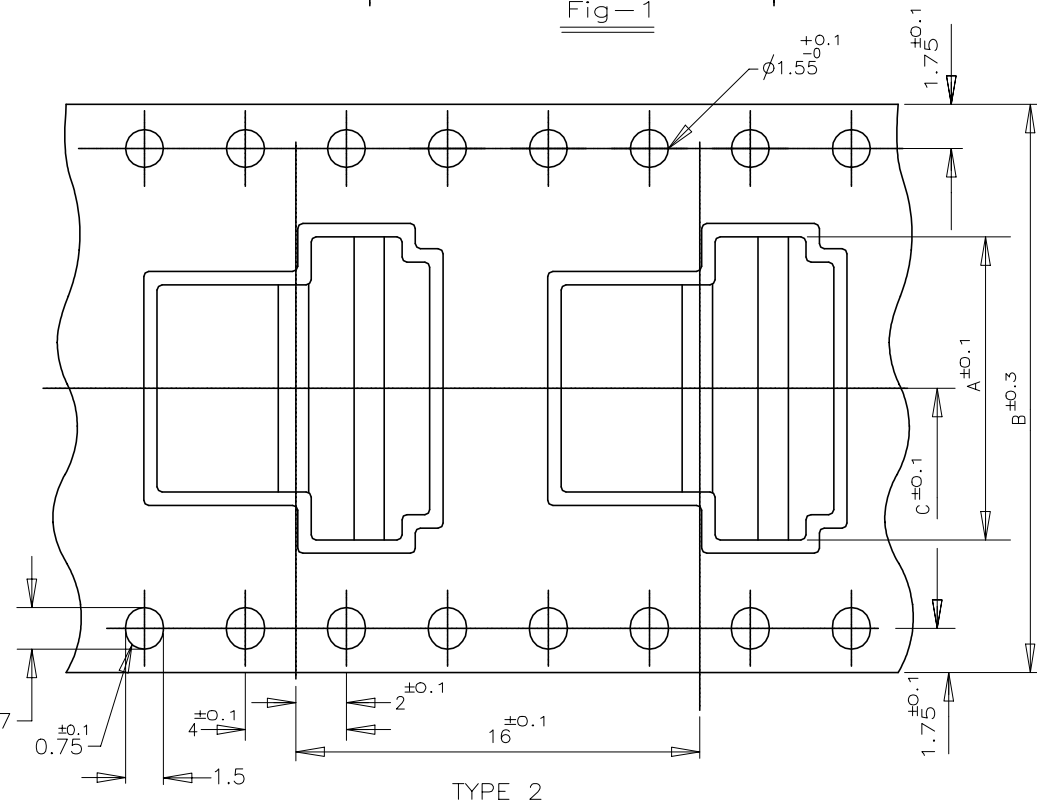


Fig-1

TYPE 3 FOR 7P ONLY
THREE KINDS OF DIFFERENT POCKETS AS 1 SET
USED FOR 7P ONLY



TYPE "A"



TYPE 2

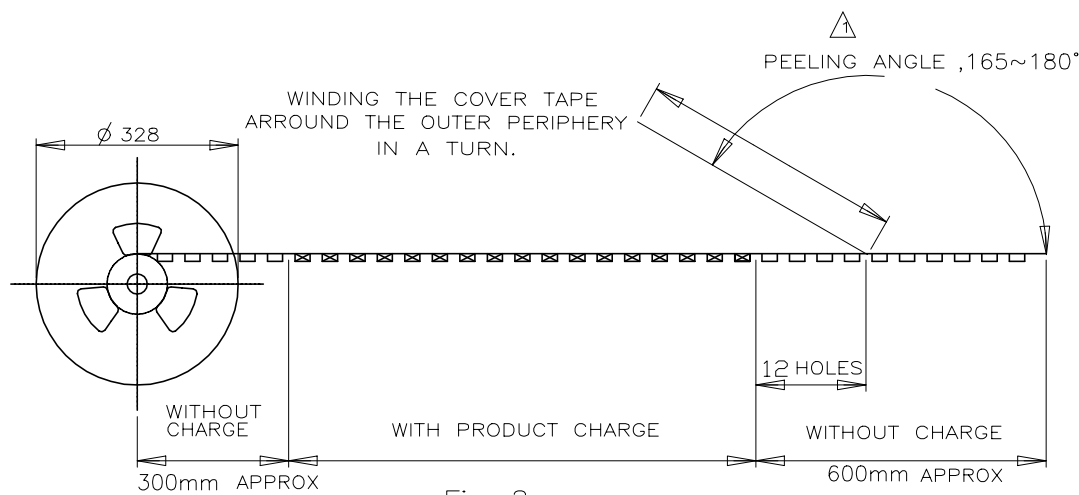


Fig-2

COLOR	PLATE	TAPE TYPE	TYPE OF BOSS	C		B		A		QTY/ REEL	Pos	TAPING	P/N
				A	B	A	B	A	B				
NATURAL	WITH	TYPE 2	A	20.2	44	24	500	9	3-	292173-9			
				20.2	44	22		8	3-	-8			
	TYPE 3	A	14.2	32	20		7	3-	-7				
			14.2	32	18		6	3-	-6				
	TYPE 1	A	11.5	24	16		5	3-	-5				
					14		4	3-	-4				
				12		3	3-	-3					
				10		2	3-	-2					
BLACK	WITH	TYPE 2	A	20.2	44	24		9	2-	-9			
				20.2	44	22		8	2-	-8			
	TYPE 3	A	14.2	32	20		7	2-	-7				
			14.2	32	18		6	2-	-6				
	TYPE 1	A	11.5	24	16		5	2-	-5				
					14		4	2-	-4				
				12		3	2-	-3					
				10		2	2-	-2					
WITH		A	11.5	24	10	500	2	2-	292173-2				

TOLERANCE UNLESS OTHERWISE SPECIFIED:

10 > *	: ±0.2
30 > * > 10	: ±0.25
100 > * > 30	: ±0.3
ANGLE	: ±3'

NOTES:
 ▲ PEELING RESISTANCE : 0.196N-0.686N (20gf-70gf)
 SPEED : 300mm/min

THIS DRAWING IS A CONTROLLED DOCUMENT.		DWN
DIMENSIONS: MM		CHK
TOLERANCES UNLESS OTHERWISE SPECIFIED:		APVD
0 PLC ±		PRODUCT SPEC
1 PLC ±		APPLICATION SPEC
2 PLC ±		WEIGHT
3 PLC ±		CUSTOMER DRAWING
4 PLC ±		
ANGLES ±		
MATERIAL		
FINISH		



NAME			
ON TAPING (EMBOSS) TE CT CONNECTOR POST HEADER ASS'Y (BOX-H SMT TYPE W/O BOSS & W/ TAIL)			
SIZE	CAGE CODE	DRAWING NO	RESTRICTED TO
A3	00779	C=292173	-
SCALE		SHEET	REV
/ /		2 of 8	C5

P	LTR	DESCRIPTION	DATE	DWN	APVD
-	-	SEE SHEET 1	-	-	-

D

(AS SHOWN : -4)

C

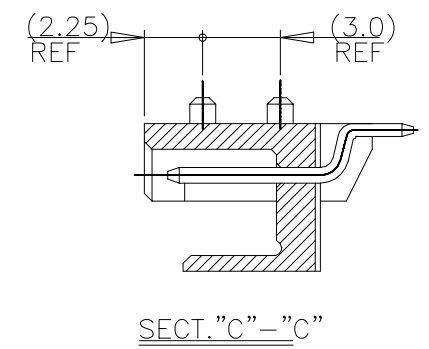
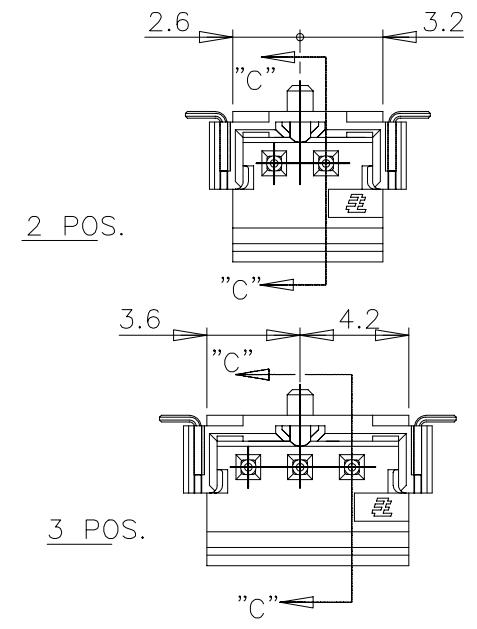
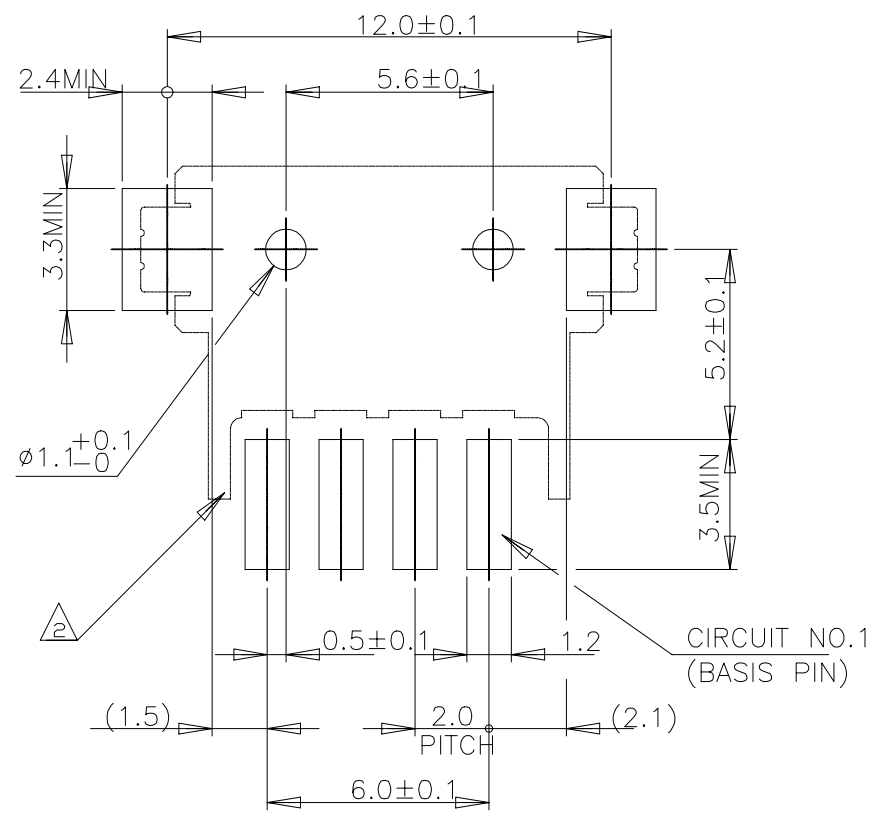
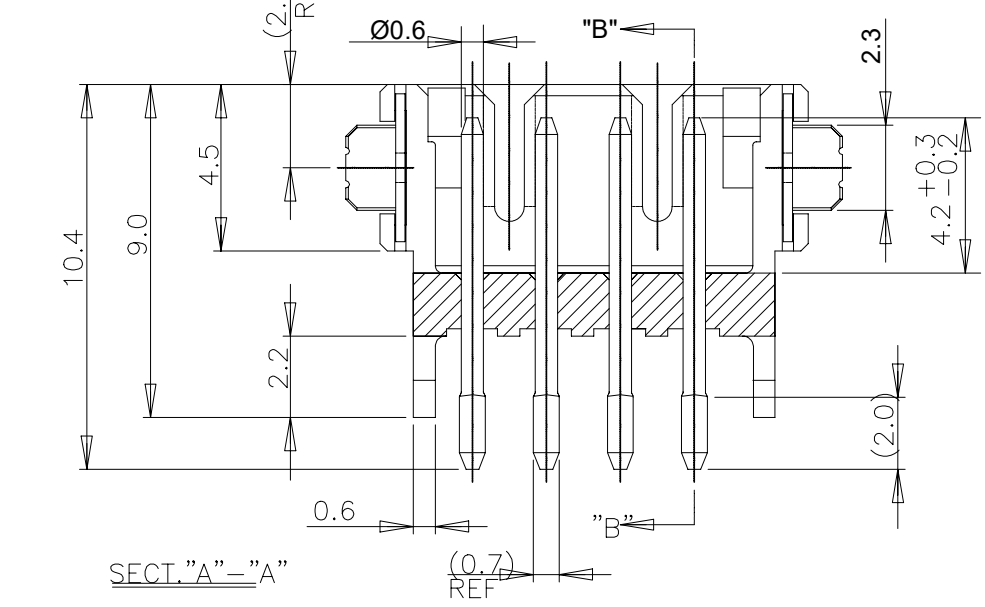
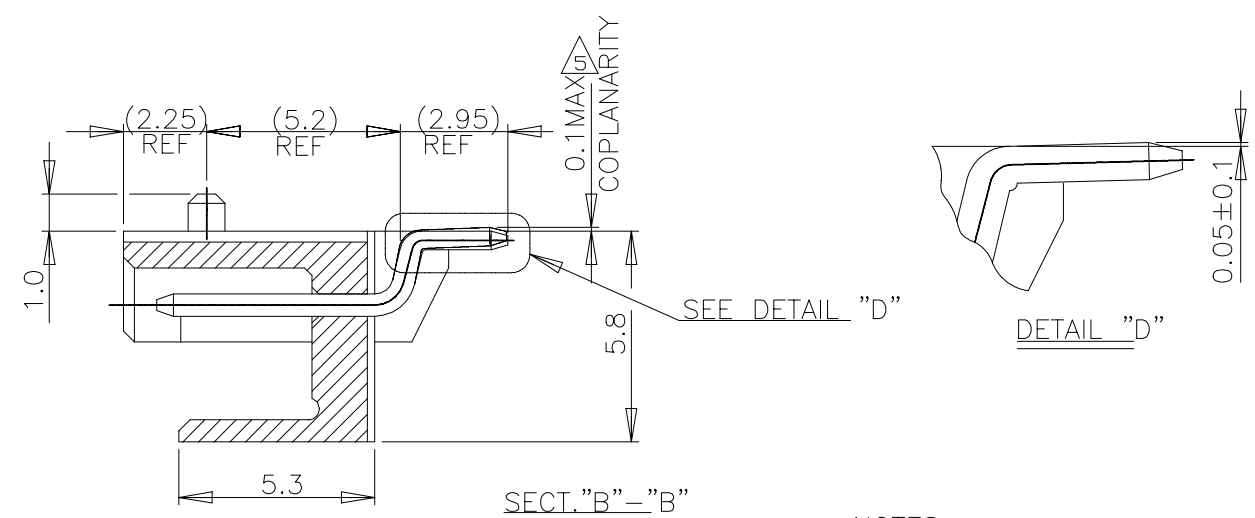
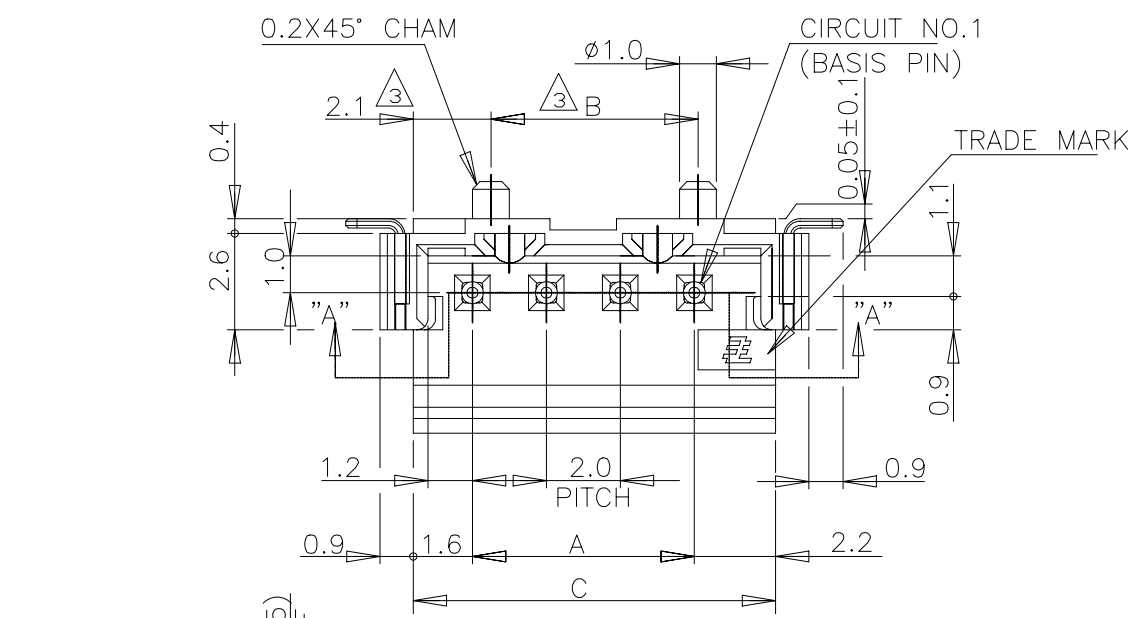
C

B

B

A

A



NOTES:
 1. MATERIAL:HSG-NYLON (UL94V-0)
 COLOR:BLACK ,NATURAL
 POST: TIN BRASS
 TAIL: TIN BRASS
 OCCUPANT AREA ON PC BOARD
 4P&ABOVE POS.
 2P&3P
 TO BE MEASURED WITH CONNECTOR PLACED
 ON HORIZONTAL DATUM SURFACE ,FLOAT OF
 SOLDER TINE AND TAIL FROM DATUM
 SURFACE IS 0.1mm MAX

NO ACCUMULATED TOLERANCE
 RECOMMENDED P.C.BOARD LAYOUT
 (P.C.B. THK:0.8mm MIN)

TOLERANCES UNLESS OTHERWISE SPECIFIED:

10 > *	: ±0.2
30 > * > 10	: ±0.25
100 > * > 30	: ±0.3
ANGEL	: ±3°

THIS DRAWING IS A CONTROLLED DOCUMENT.		DWN	-	
DIMENSIONS: MM		CHK	-	
TOLERANCES UNLESS OTHERWISE SPECIFIED:		APVD	-	
0 PLC ± -		PRODUCT SPEC	108-60016	
1 PLC ± -		APPLICATION SPEC	-	
2 PLC ± -		WEIGHT	-	
3 PLC ± -		CUSTOMER DRAWING	-	
4 PLC ± -		SCALE	//	
ANGLES ± -		SHEET	3 of 8	
MATERIAL	SEE NOTE	FINISH	SEE NOTE	
SEE NOTE		FINISH	SEE NOTE	

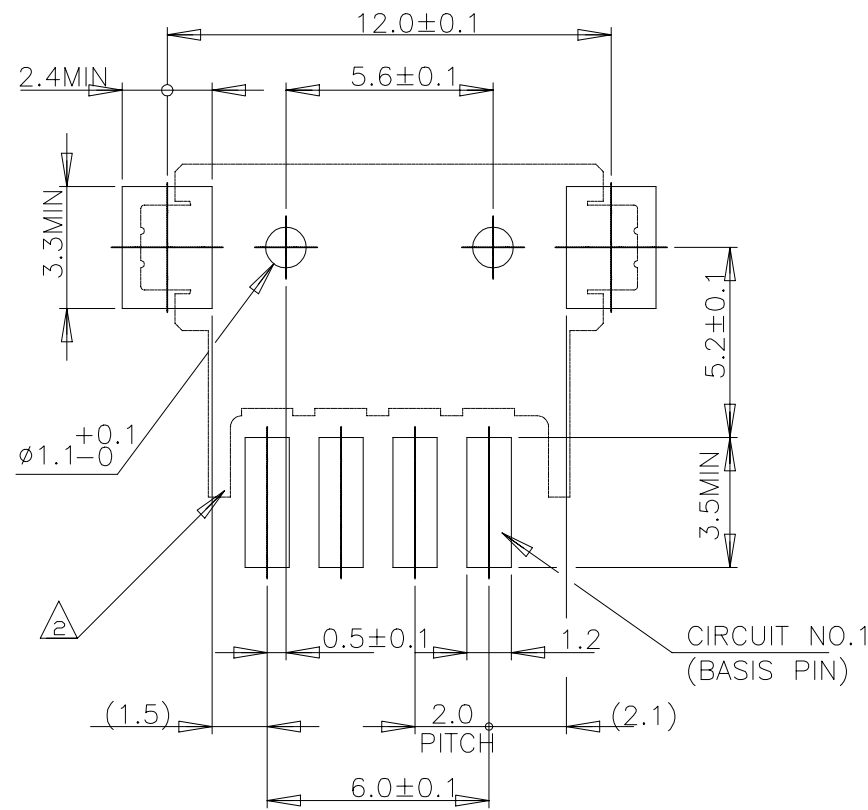
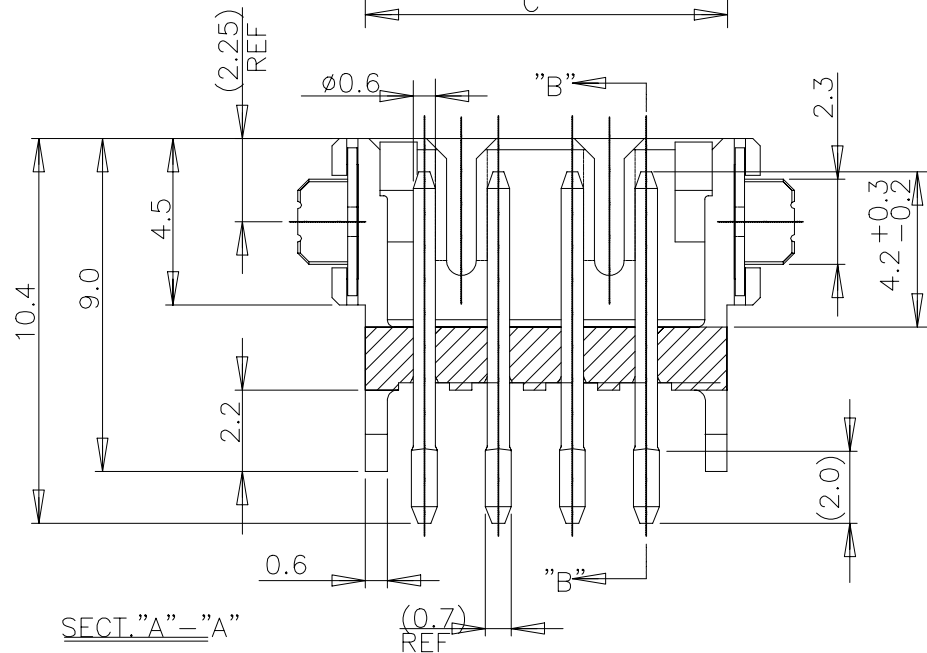
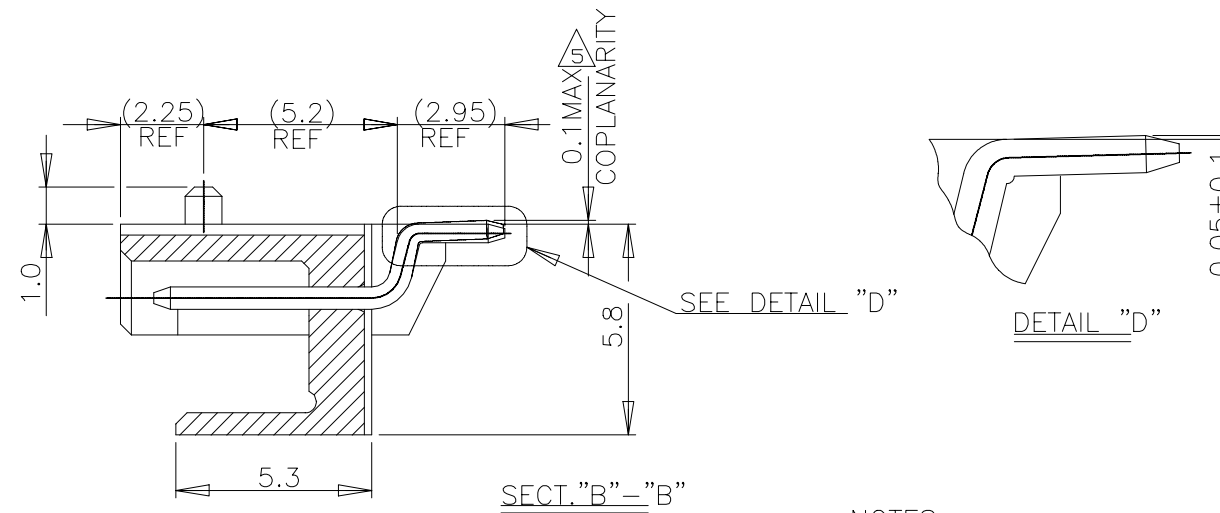
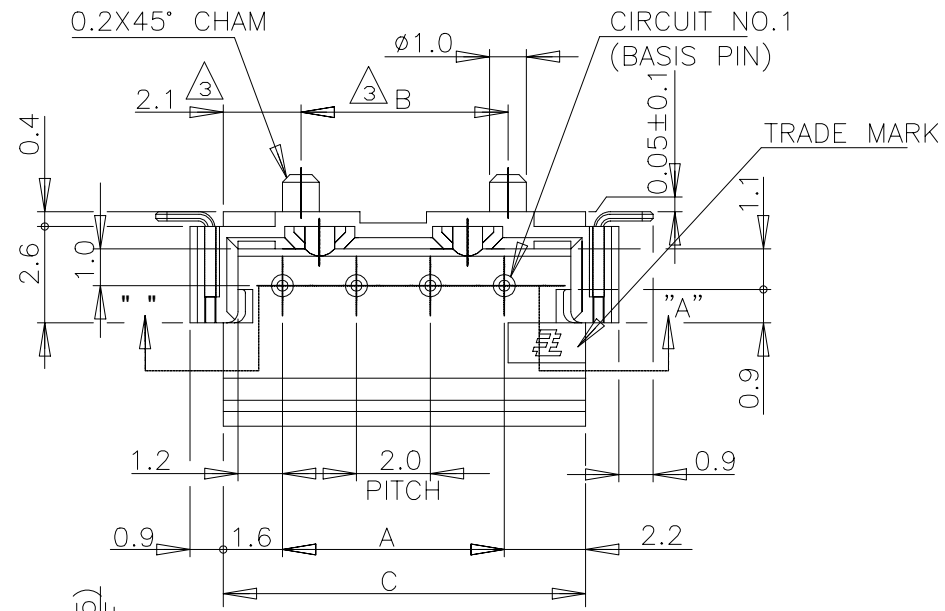
STE TE Connectivity Ltd.

SMT TYPE POST HDR ASS'Y (H)
 WITH BOSS & TAIL TYPE
 (TE CT CONN. 2mm PITCH)

SIZE	CAGE CODE	DRAWING NO	RESTRICTED TO
A3	00779	C=292173	-

P	LTR	DESCRIPTION	DATE	DWN	APVD
-	-	SEE SHEET 1	-	-	-

(AS SHOWN : -4)



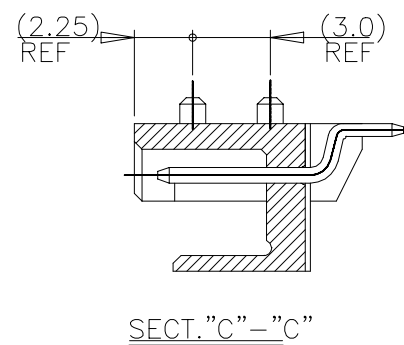
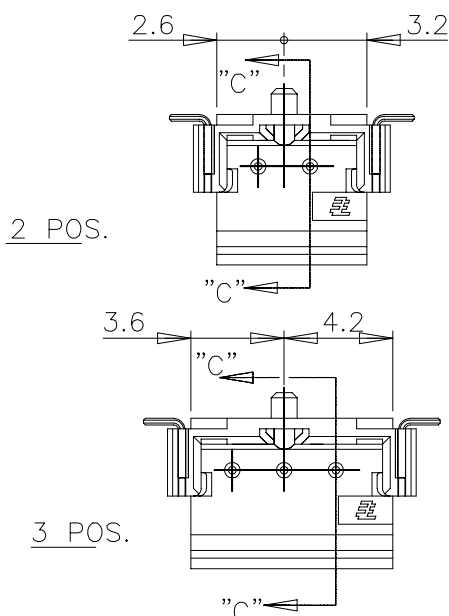
NO ACCUMULATED TOLERANCE
RECOMMENDED P.C.BOARD LAYOUT
(P.C.B. THK:0.8mm MIN)

NOTES:

- MATERIAL:HSG-NYLON (UL94V-0)
COLOR:BLACK ,NATURAL
POST: TIN BRASS
TAIL: TIN BRASS

- OCCUPANT AREA ON PC BOARD
- 4P&ABOVE POS.
- 2P&3P
- TO BE MEASURED WITH CONNECTOR PLACED ON HORIZONTAL DATUM SURFACE ,FLOAT OF SOLDER TINE AND TAIL FROM DATUM SURFACE IS 0.1mm MAX

16.0	15.6	19.8	22.0	9	1-292173-9	292173-9
14.0	13.6	17.8	20.0	8	1-▲-8	▲-8
12.0	11.6	15.8	18.0	7	1-▲-7	▲-7
10.0	9.6	13.8	16.0	6	1-▲-6	▲-6
8.0	7.6	11.8	14.0	5	1-▲-5	▲-5
6.0	5.6	9.8	—	4	1-▲-4	▲-4
4.0	—	7.8	—	3	1-▲-3	▲-3
2.0	—	5.8	—	2	1-292173-2	292173-2
A	B	C	D	Pos.	NATURAL	BLACK
						P/N



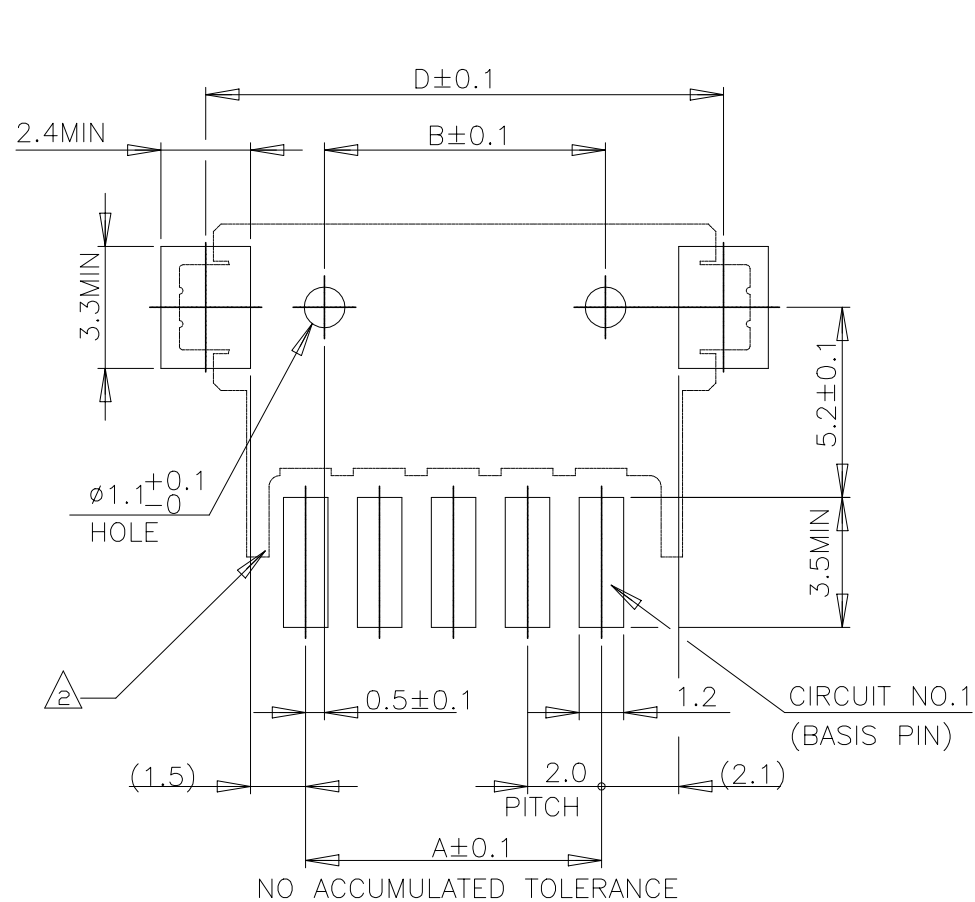
TOLERANCES UNLESS OTHERWISE SPECIFIED:
10>* : ±0.2
30>*>10 : ±0.25
100>*>30 : ±0.3
ANGEL : ±3°

THIS DRAWING IS A CONTROLLED DOCUMENT.		DWN	-	
DIMENSIONS: MM		CHK	-	
TOLERANCES UNLESS OTHERWISE SPECIFIED:		APVD	-	
0 PLC ±		PRODUCT SPEC	108-60016	
1 PLC ±		APPLICATION SPEC	-	
2 PLC ±		WEIGHT	-	
3 PLC ±		CUSTOMER DRAWING	-	
4 PLC ±		SCALE	++	
ANGLES ±		SHEET	4 OF 8	
FINISH		REV	C4	
SEE NOTE		TE Connectivity Ltd. SMT TYPE POST HDR ASS'Y (H) WITH BOSS & TAIL TYPE (TE CT CONN. 2mm PITCH)		
MATERIAL		SIZE	CAGE CODE	DRAWING NO
SEE NOTE		A3	00779	C=292173
		RESTRICTED TO	-	

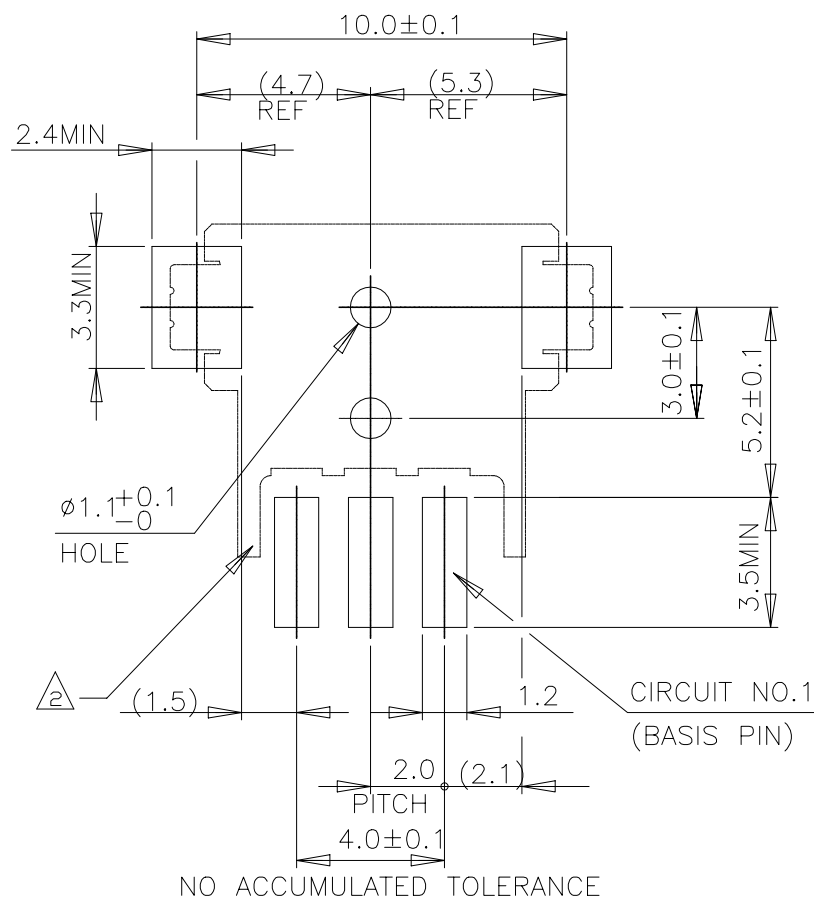
REVISIONS

P	LTR	DESCRIPTION	DATE	DWN	APVD
-	-	SEE SHEET 1	-	-	-

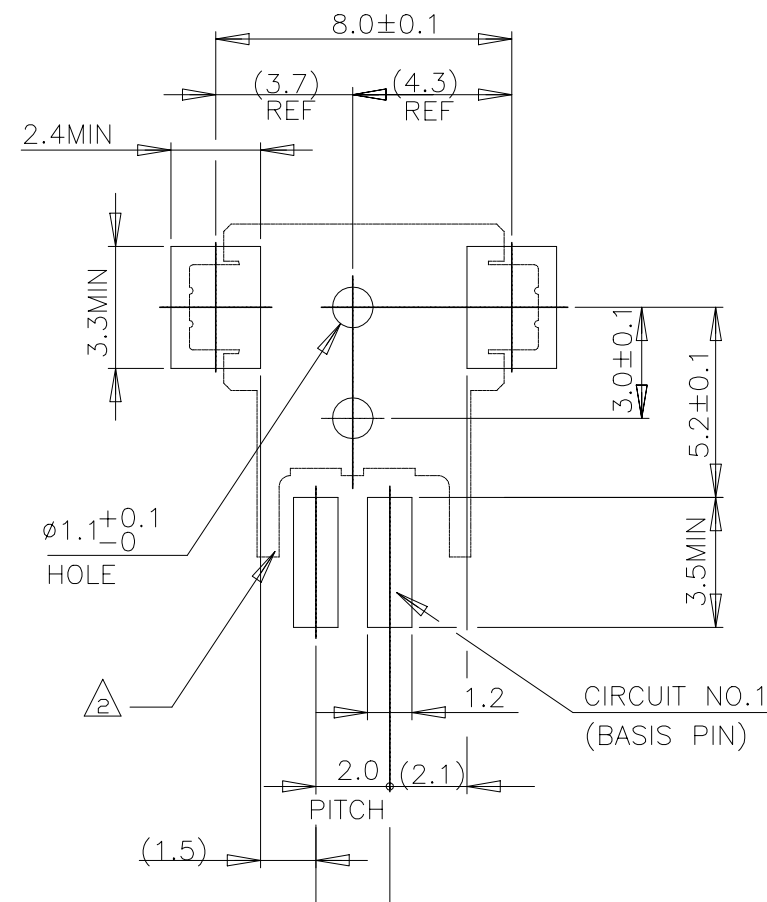
LAYOUT FOR 292173-X,1-292173-X



5 POS. & ABOVE POS.



3 POS.



2 POS.

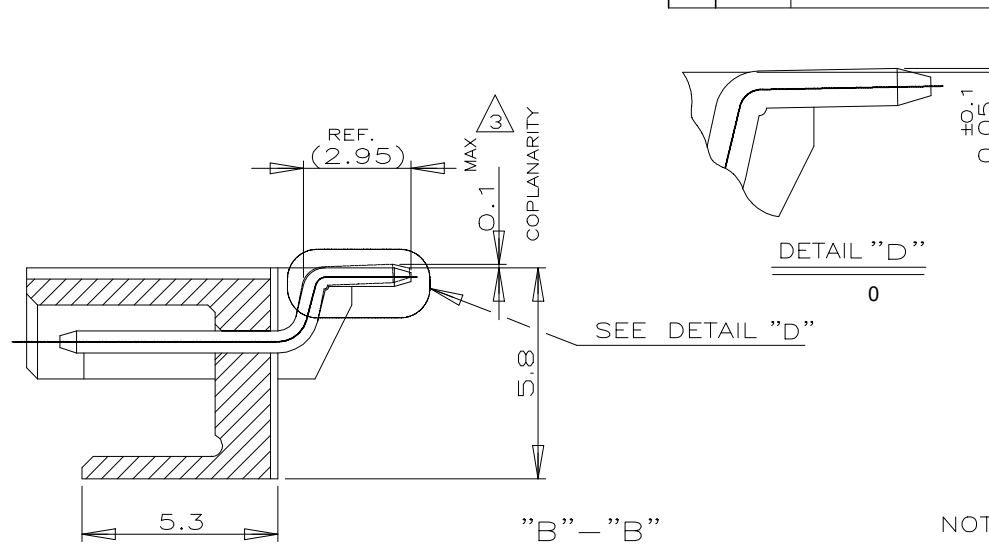
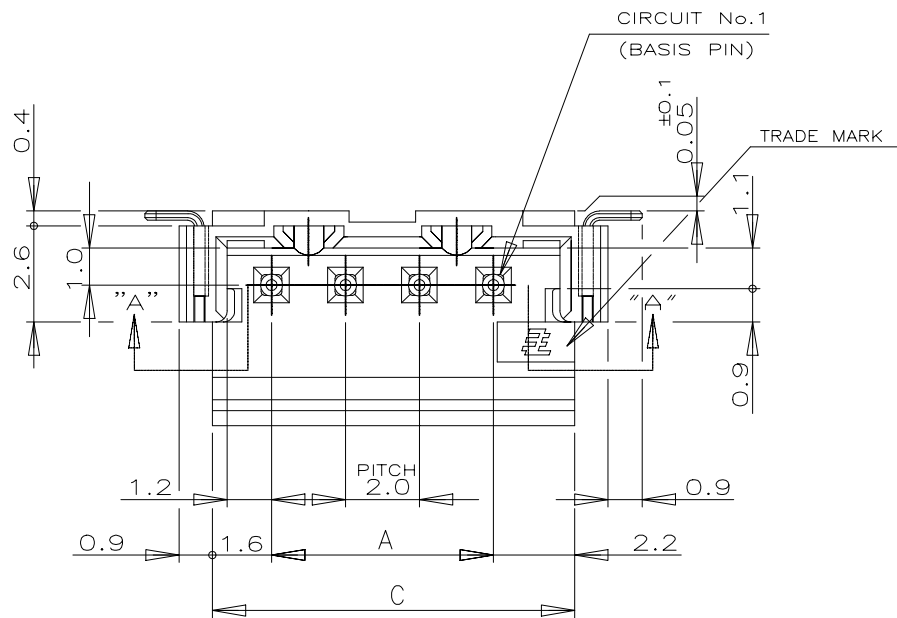
RECOMMENDED P.C. BOARD LAYOUT
(P.C.B THK:0.8mm MIN)

THIS DRAWING IS A CONTROLLED DOCUMENT.		DWN	-		
		CHK	-		
		APVD	-		
		PRODUCT SPEC	-		
		APPLICATION SPEC	-		
		WEIGHT	0		
		CUSTOMER DRAWING	SCALE \neq		
		SHEET 5 OF 8		REV C4	

DIMENSIONS: MM		TOLERANCES UNLESS OTHERWISE SPECIFIED:	
		0 PLC	± -
		1 PLC	± -
		2 PLC	± -
		3 PLC	± -
		4 PLC	± -
MATERIAL		FINISH	

TE Connectivity Ltd.	
NAME SMT TYPE POST HDR ASSY H WITH BOSS TYPE CT CONN. 2mm PITCH	
SIZE	A3
CAGE CODE	00779
DRAWING NO	C=292173
RESTRICTED TO	

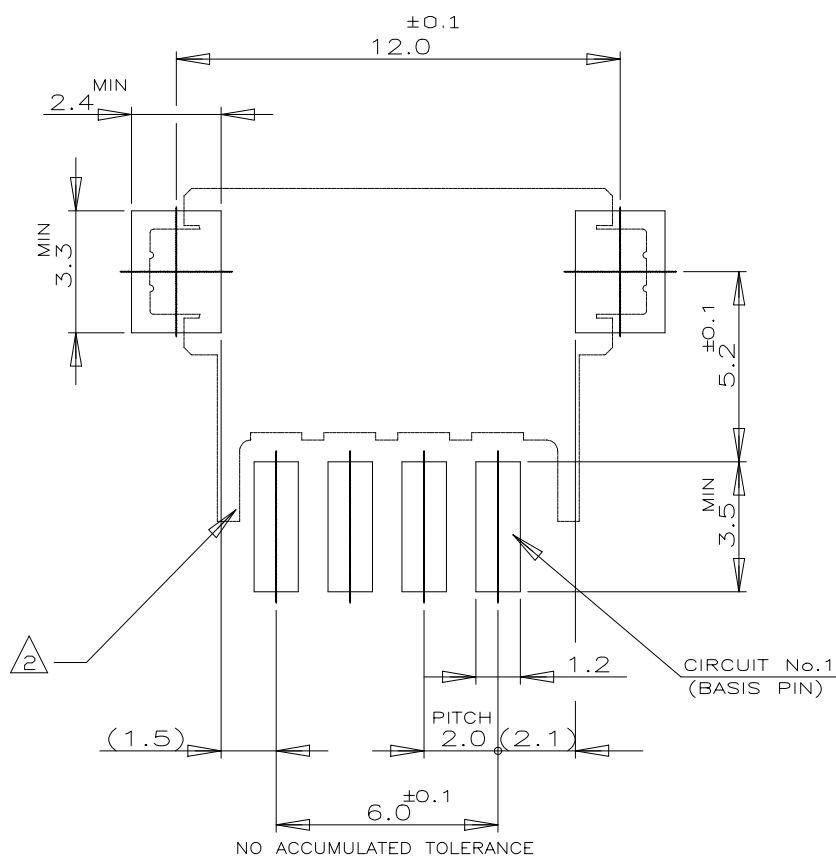
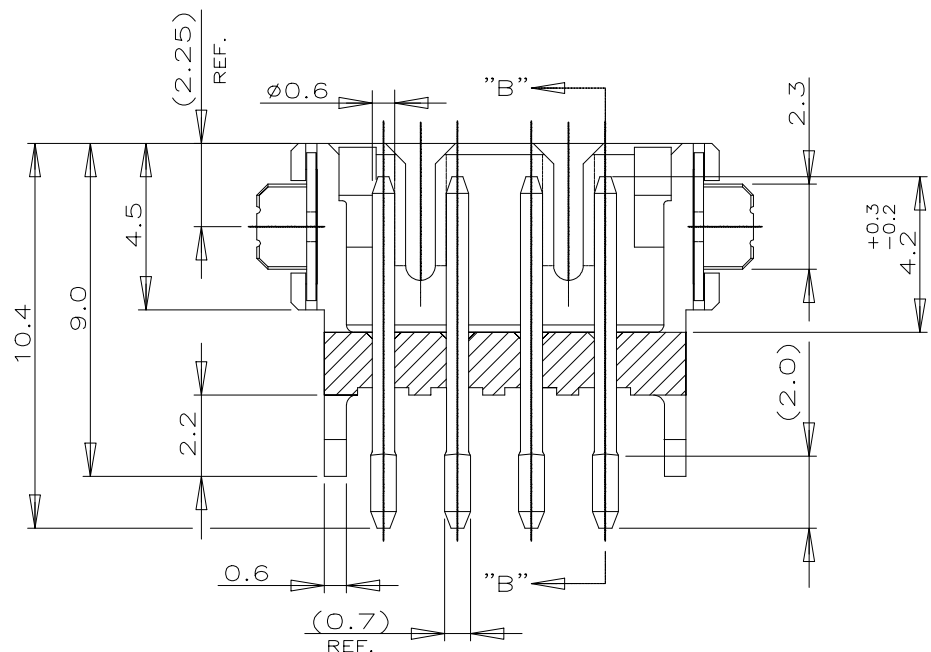
P	LTR	DESCRIPTION	DATE	DWN	APVD
-	-	SEE SHEET 1	-	-	-



(AS SHOWN :4P)

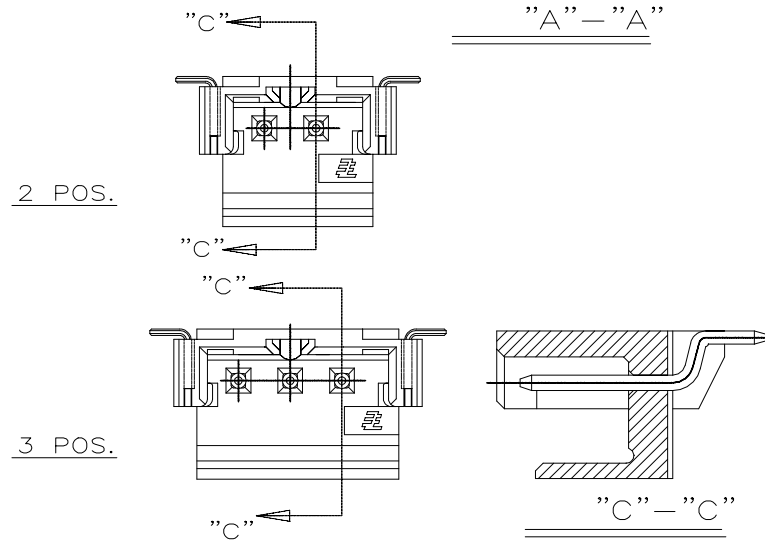
NOTES:

- MATERIAL : HSG-NYLON UL94V-0
COLOR:BLACK,NATURAL
POST:TIN BRASS
TAIL: TIN BRASS
- OCCUPANT AREA ON PC BOARD
- TO BE MEASURED WITH CONNECTOR PLACED ON HORIZONTAL DATUM SURFACE,FLOAT OF SOLDER TINE AND TAIL FROM DATUM SURFACE IS 0.1mm MAX



RECOMENOED P.C.BOARD LAYOUT
(P.C.B THK:0.8mm MIN)

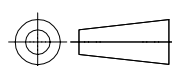
16.0	19.8	22.0	9	3-292173-9	2-292173-9
14.0	17.8	20.0	8	3-▲-8	2-▲-8
12.0	15.8	18.0	7	3-▲-7	2-▲-7
10.0	13.8	16.0	6	3-▲-6	2-▲-6
8.0	11.8	14.0	5	3-▲-5	2-▲-5
6.0	9.8	—	4	3-▲-4	2-▲-4
4.0	7.8	—	3	3-▲-3	2-▲-3
2.0	5.8	—	2	3-292173-2	2-292173-2
A	C	D	Pos.	NATURAL	BLACK
P/N					



R	D
0 / 30	0.2
00 / 30	0.3
	3

THIS DRAWING IS A CONTROLLED DOCUMENT.

DIMENSIONS:
MM



MATERIAL
SEE NOTE

TOLERANCES UNLESS OTHERWISE SPECIFIED:

0 PLC	±
1 PLC	±
2 PLC	±
3 PLC	±
4 PLC	±
ANGLES	±

FINISH
SEE NOTE

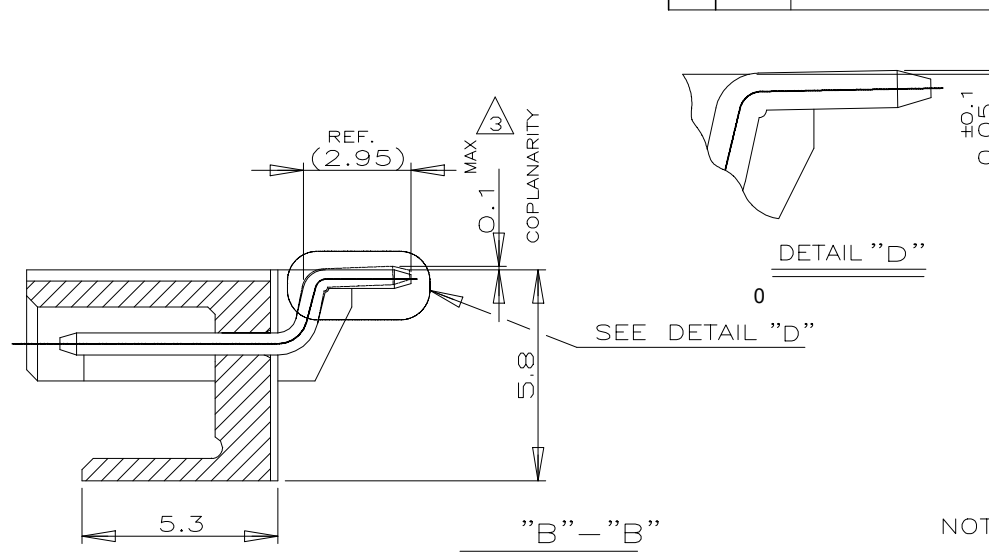
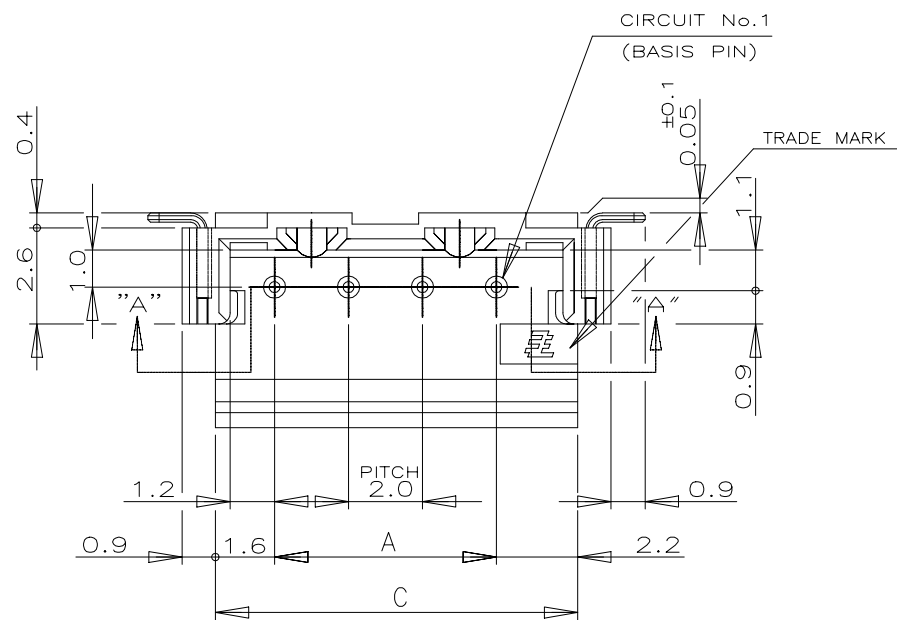
DWN	-
CHK	-
APVD	-
PRODUCT SPEC	108-60016
APPLICATION SPEC	-
WEIGHT	-
CUSTOMER DRAWING	-

STE TE Connectivity Ltd.

SMT TYPE POST HDR ASS'Y (BOX-H)
W/O BOSS,WITH TAIL TYPE
(TE CT CONN. 2mm PITCH)

SIZE	CAGE CODE	DRAWING NO	RESTRICTED TO
A3	00779	C=292173	-
SCALE	++	SHEET	6 OF 8
REV	C4		

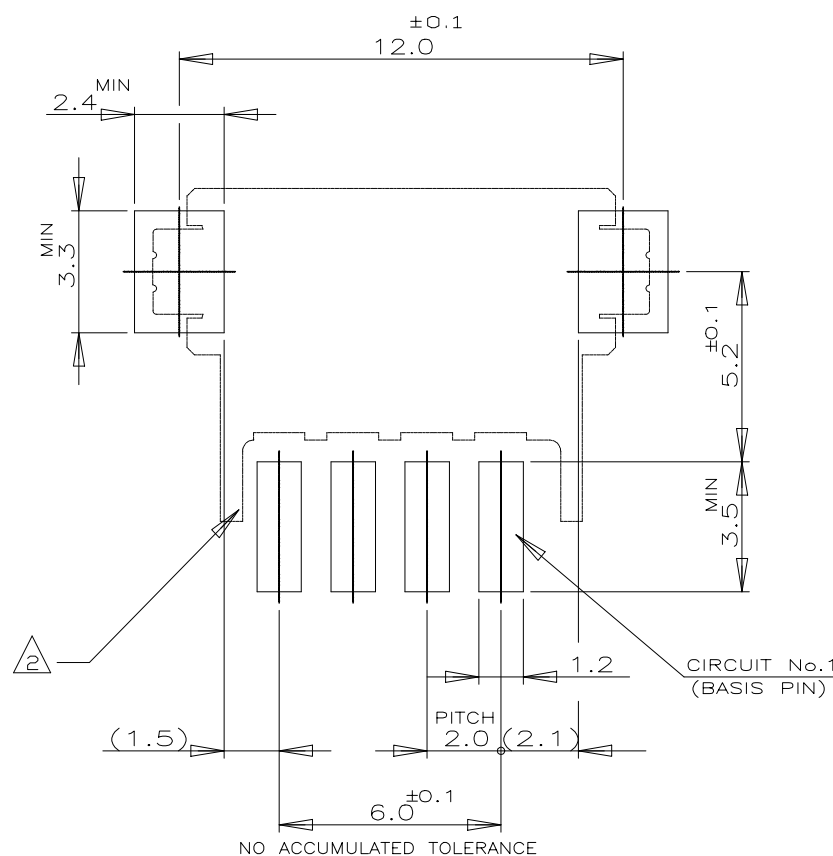
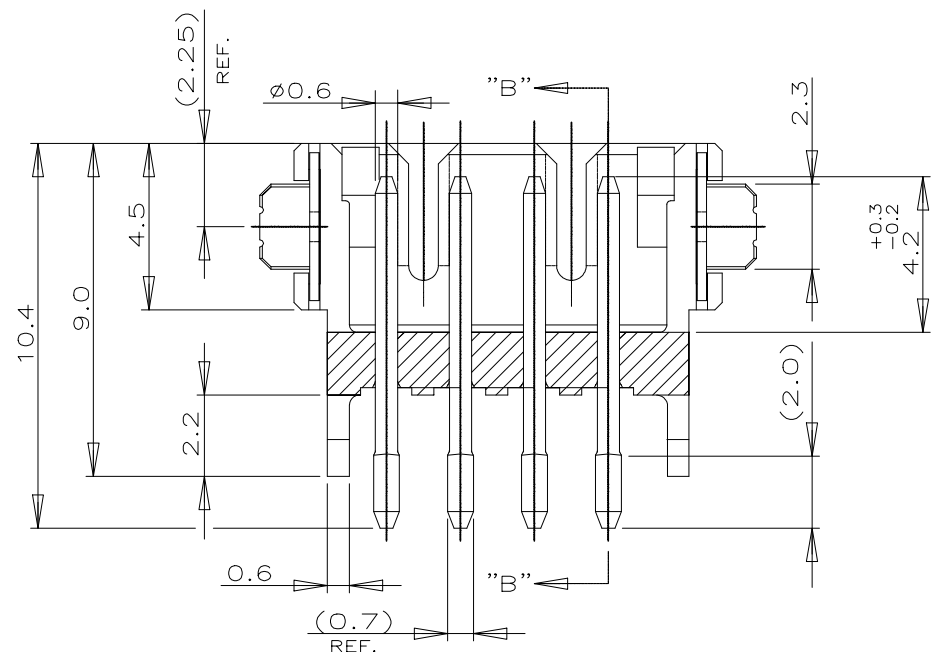
P	LTR	DESCRIPTION	DATE	DWN	APVD
-	-	SEE SHEET 1	-	-	-



(AS SHOWN :4P)

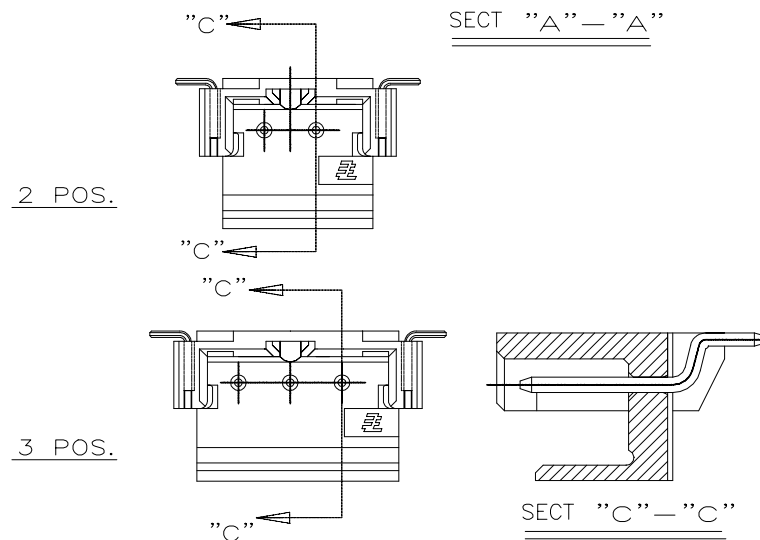
NOTES:

- MATERIAL : HSG-NYLON UL94V-0)
COLOR:BLACK,NATURAL
POST:TIN BRASS
TAIL: TIN BRASS
- OCCUPANT AREA ON PC BOARD
- TO BE MEASURED WITH CONNECTOR PLACED ON HORIZONTAL DATUM SURFACE,FLOAT OF SOLDER TINE AND TAIL FROM DATUM SURFACE IS 0.1mm MAX



RECOMENOED P.C.BOARD LAYOUT
(P.C.B THK:0.8mm MIN)

16.0	19.8	22.0	9	3-292173-9	2-292173-9
14.0	17.8	20.0	8	3-▲-8	2-▲-8
12.0	15.8	18.0	7	3-▲-7	2-▲-7
10.0	13.8	16.0	6	3-▲-6	2-▲-6
8.0	11.8	14.0	5	3-▲-5	2-▲-5
6.0	9.8	—	4	3-▲-4	2-▲-4
4.0	7.8	—	3	3-▲-3	2-▲-3
2.0	5.8	—	2	3-292173-2	2-292173-2
A	C	D	Pos.	NATURAL	BLACK
P/N					



TOLERANCES UNLESS OTHERWISE SPECIFIED:
10>* : ±0.2
30>* >10 : ±0.25
100>* >30 : ±0.3
ANGEL : ±3°

THIS DRAWING IS A CONTROLLED DOCUMENT.		DWN	TE Connectivity Ltd.		
DIMENSIONS: MM		CHK	NAME		
TOLERANCES UNLESS OTHERWISE SPECIFIED:		APVD	SMT TYPE POST HDR ASS'Y (BOX-H) W/O BOSS,WITH TAIL TYPE (TE CT CONN. 2mm PITCH)		
0 PLC ±		PRODUCT SPEC	108-60016	SIZE	CAGE CODE
1 PLC ±		APPLICATION SPEC	—	A3	00779
2 PLC ±		WEIGHT	—	DRAWING NO	
3 PLC ±		CUSTOMER DRAWING	C=292173		
4 PLC ±		SCALE	SHEET 7 of 8		
ANGLES ±		RESTRICTED TO	REV C4		
FINISH SEE NOTE					
MATERIAL SEE NOTE					

4

3

2

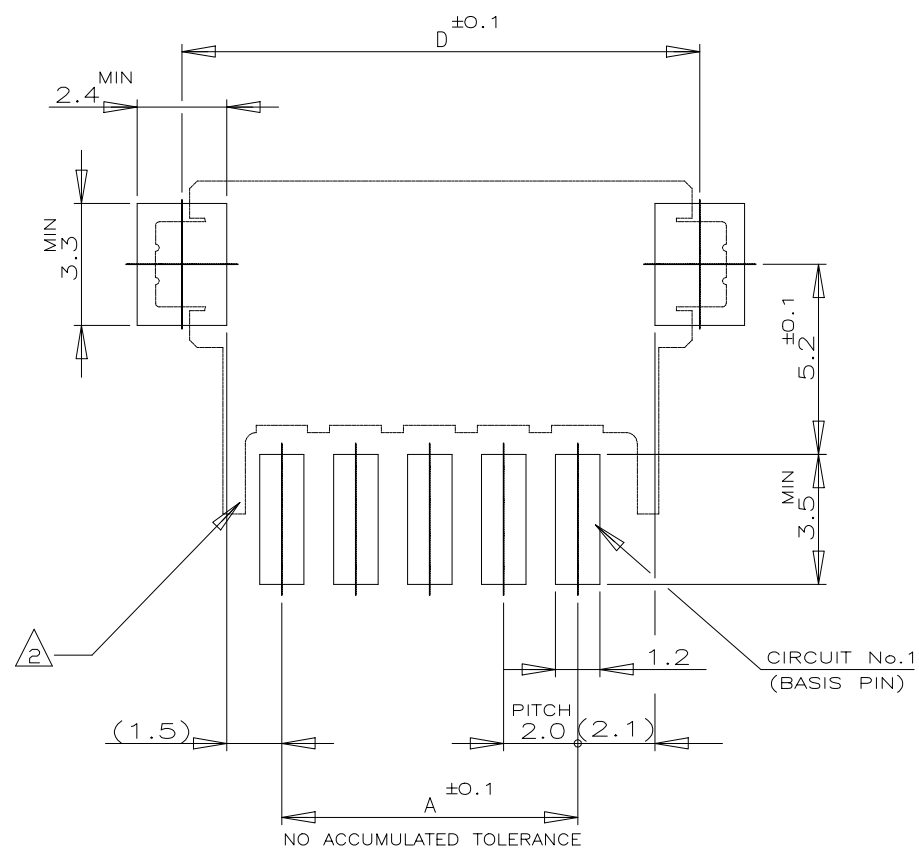
1

© - TE Connectivity. All Rights Reserved.

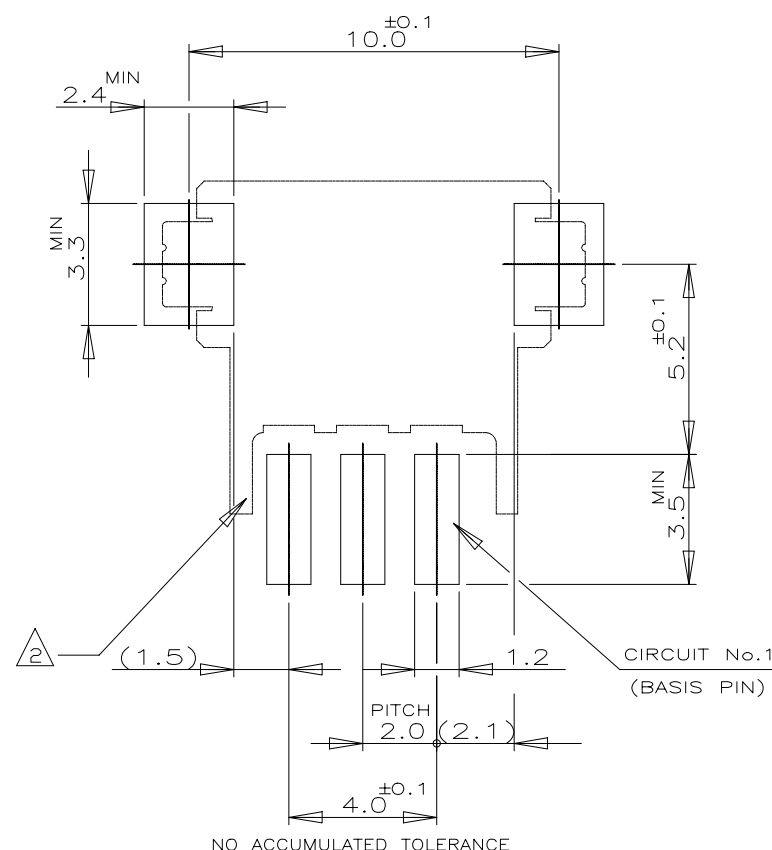
REVISIONS

P	LTR	DESCRIPTION	DATE	DWN	APVD
-	-	SEE SHEET 1	-	-	-

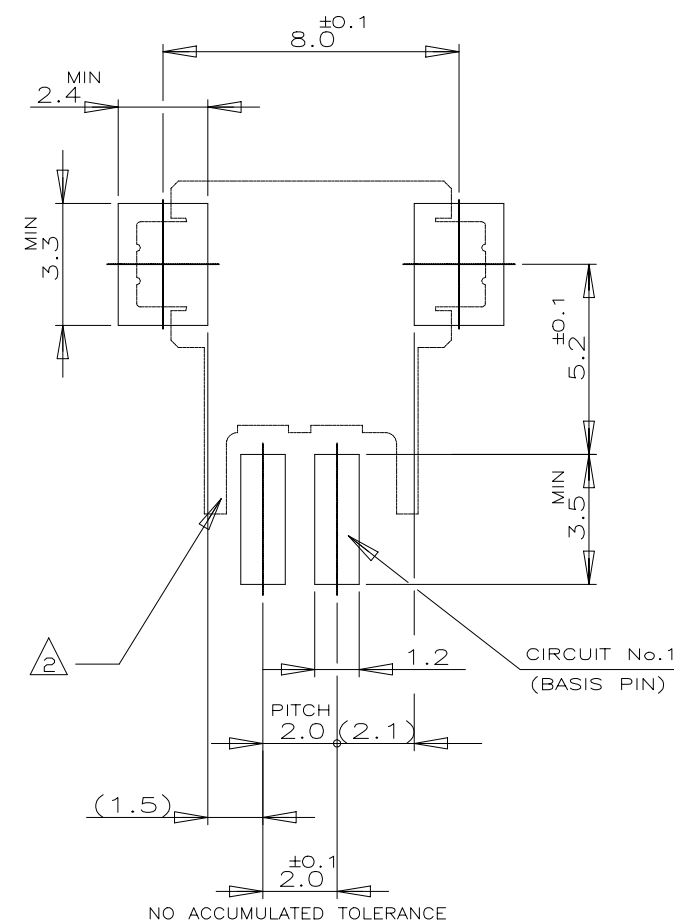
LAYOUT FOR 2-292173-X,3-2-292173-X



5 POS & ABOVE POS



3 POS



2POS

RECOMENOD P.C.BOARD LAYOUT
(P.C.B THK:0.8mm MIN)

THIS DRAWING IS A CONTROLLED DOCUMENT.		DWN	TE Connectivity Ltd.											
DIMENSIONS: MM		CHK												
TOLERANCES UNLESS OTHERWISE SPECIFIED:		APVD												
<table border="0"> <tr><td>0 PLC</td><td>± -</td></tr> <tr><td>1 PLC</td><td>± -</td></tr> <tr><td>2 PLC</td><td>± -</td></tr> <tr><td>3 PLC</td><td>± -</td></tr> <tr><td>4 PLC</td><td>± -</td></tr> <tr><td>ANGLES</td><td>± -</td></tr> </table>		0 PLC				± -	1 PLC	± -	2 PLC	± -	3 PLC	± -	4 PLC	± -
0 PLC	± -													
1 PLC	± -													
2 PLC	± -													
3 PLC	± -													
4 PLC	± -													
ANGLES	± -													
MATERIAL		FINISH	SMT TYPE POST HDR ASS'Y (H) W/O, WITH TAIL TYPE (TE CT CONN. 2mm PITCH)											
			SIZE	CAGE CODE	DRAWING NO	RESTRICTED TO								
			A3	00779	C=292173									
			CUSTOMER DRAWING			SCALE	SHEET 8 OF 8							
						REV	C4							