

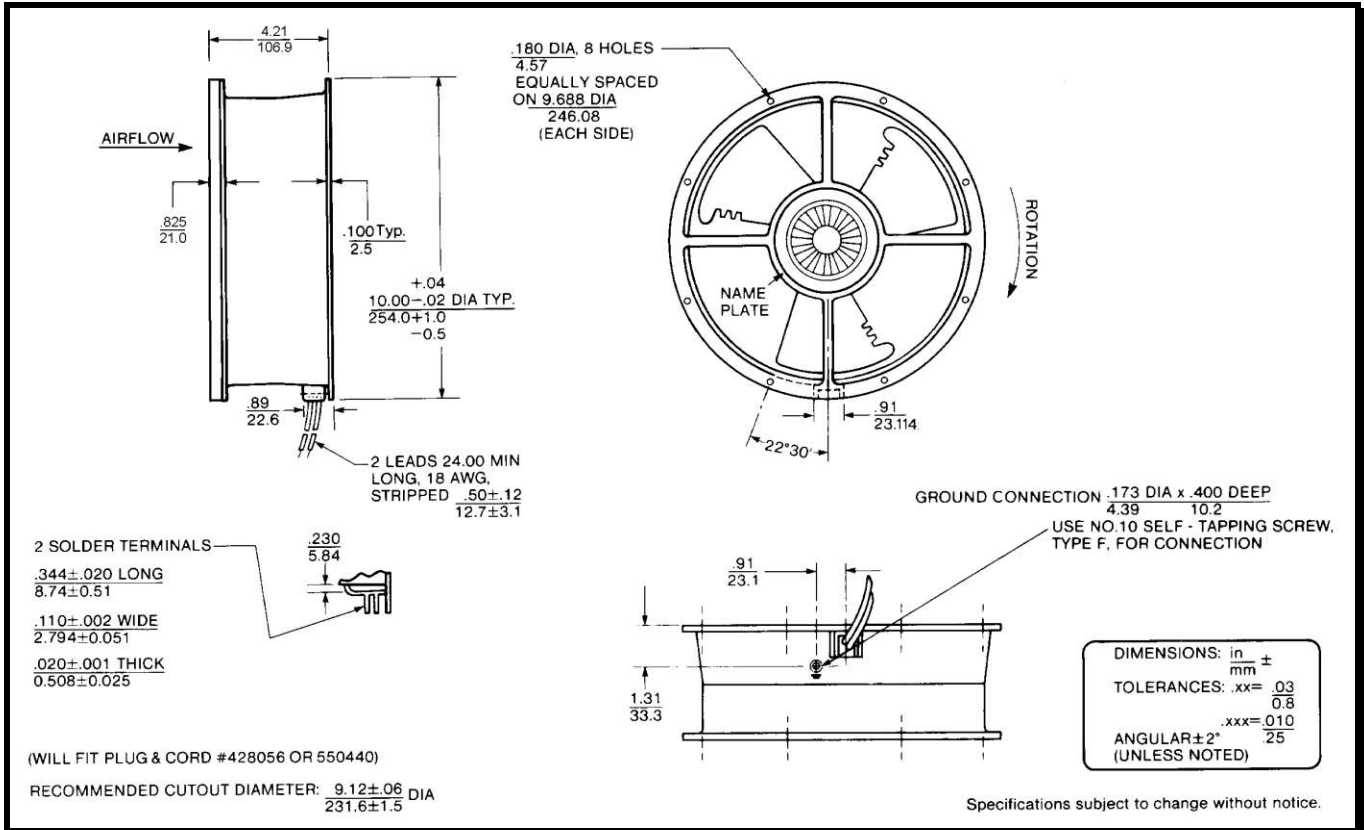
# SPECIFICATIONS



**Model Number:** CLE3L5  
**Part Number:** 19039306A

**Rev:** 02  
**Aug 07, 2018**

## Mechanical Drawing:



### Motor:

|                           |                                   |
|---------------------------|-----------------------------------|
| Nominal Voltage           | = 220/230 VAC                     |
| Frequency                 | = 50/60 Hz                        |
| Nominal Running Current   | = 0.44/0.57 amps                  |
| Max. Locked Rotor Current | = 1.00 amps                       |
| Running Power             | = 98/135 watts                    |
| Average Speed             | = 2650/2800 RPM                   |
| Bearings                  | = Ball                            |
| Max. Airflow              | = 878/950 CFM                     |
| Max. Static Pressure      | = 0.50/0.57 inch H <sub>2</sub> O |
| Acoustic                  | = 62.1/63.3 dBA                   |

### Construction:

Venturi: Aluminum, Black.  
 Propeller: Plastic, Black, UL 94V-0

### Life Expectancy:

This fan is designed for continuous duty life of 45,000 hours at 60°C.

### Additional Features:

- Permanent Split Capacitor Motor
- Automatic Reset Thermal Protector
- Automatic Restart Capability
- Operating Temperature: -10°C to 70°C
- Storage Temperature: -40°C to 85°C

### Termination:

24" Lead wires, 18 AWG, UL 1015

### Agency Approvals:

UL, CUL, CE

**PQ Curve:**

