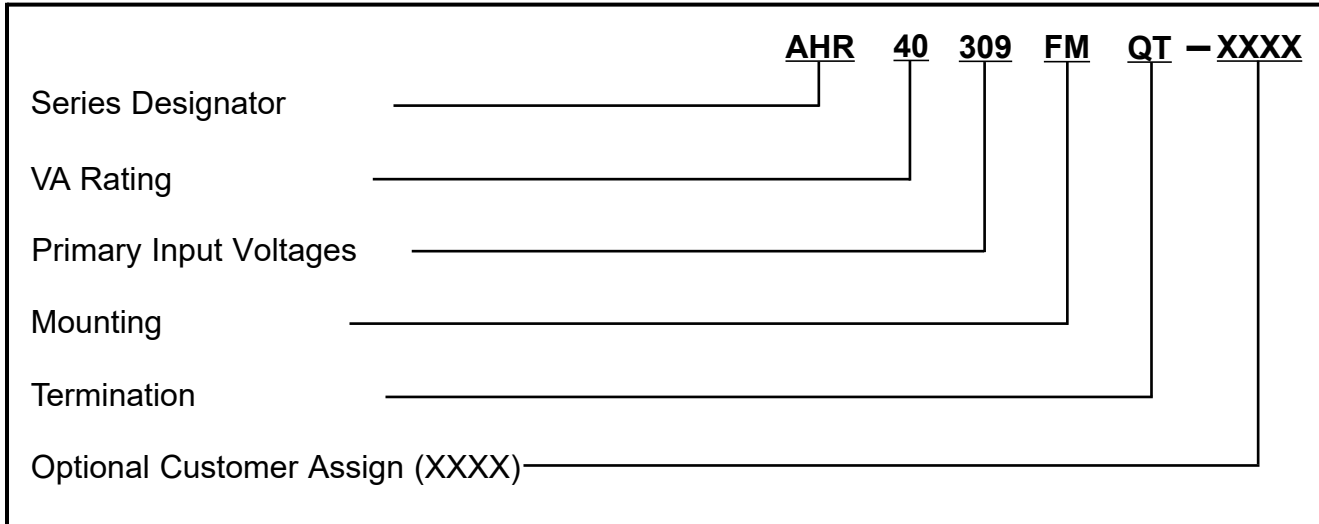


# AHR Series

## 30 VA - 75 VA CLASS 2 UL 1585 TRANSFORMERS



### PART NUMBERING SYSTEM



### MODELS

Primary Voltage	30 VA Model Designation	40 VA Model Designation	50 VA Model Designation	75 VA Model Designation
*120	AHR30309	AHR40309	AHR50309	N/A
208/240	AHR30310	AHR40310	AHR50310	AHR75310
120	AHR30311	AHR40311	AHR50311	AHR75311
240	AHR30312	AHR40312	AHR50312	AHR75312
277	AHR30313	AHR40313	N/A	AHR75313
480	AHR30314	AHR40314	N/A	AHR75314
380/415	AHR30315	AHR40315	N/A	AHR75353
575	AHR30316	AHR40316	N/A	AHR75346
120/240	AHR30317	AHR40317	AHR50317	N/A
120/208/240	AHR30318	AHR40318	AHR50318	AHR75318
400	N/A	N/A	N/A	AHR75359

\*60Hz operation only. All others are 50/60Hz

### MOUNTING

Designator	Mounting Type
FM	Foot Mount, Bracket
MM *	Multi Mount Adapter Plate
PM *	Panel Mount, Lam Holes
FC *	Fan Center Screw Term.

\*Not available with all VA ratings

### TERMINATION

Designator	Mount
NIL *	Screw termination
QT	Top Quick Disc.
Q1	One Side QD
Q2	Both Side QD
W *	Wire Leads
QW *	QD and Wires

\*Not available with all VA ratings

# AHR Series

## 30 VA - 40 VA CLASS 2 UL 1585 TRANSFORMERS



### FEATURES

- 30 VA - 40 VA inherently energy limited
- Compact frame size
- No secondary fusing required
- Low heat rise
- Input voltages from 120-575 V, output 24 V
- Terminations with screw, quick-connect or wires
- Split bobbin design
- Class B insulation systems 130° C
- UL/CUR File E214561
- Customization for wire length, color, terminations and other customer requirements

Primary Voltage	30 VA Standard Model Designation	40 VA Standard Model Designation
*120	AHR30309	AHR40309
208/240	AHR30310	AHR40310
120	AHR30311	AHR40311
240	AHR30312	AHR40312
277	AHR30313	AHR40313
480	AHR30314	AHR40314
380/415	AHR30315	AHR40315
575	AHR30316	AHR40316
120/240	AHR30317	AHR40317
**120/208/240	AHR30318	AHR40318

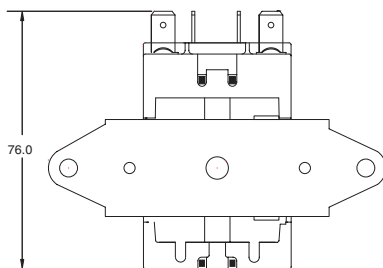
\*60Hz operation only. All others are 50/60Hz  
 \*\*not available with Q1 or QT terminations



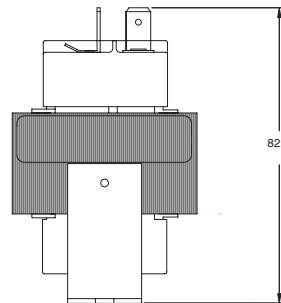
Example wire lead version with female QD terminals



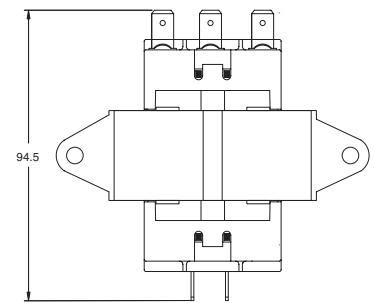
**Q1 One Side Termination**



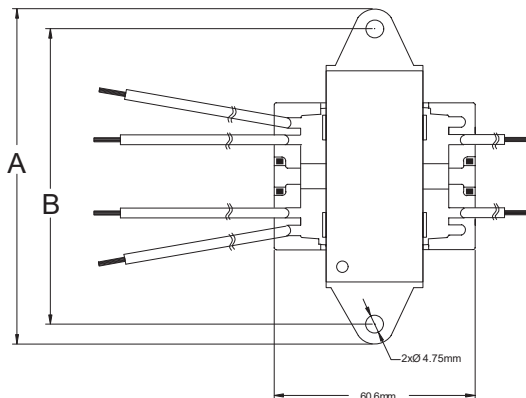
**QT Top Termination**



**Q2 Two Side Termination**

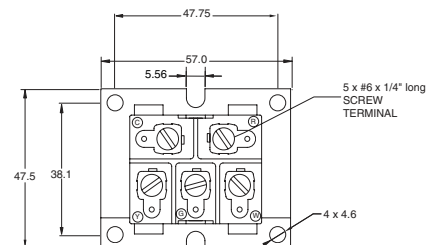


**W Wire Lead Termination (with Foot Mount Bracket)**



Different options for mounting plate dimensions A & B

**FC Screw Termination (with Panel Mount Holes)**



All dimensions are shown in millimeters.

# AHR Series

## 50 VA CLASS 2 UL 1585 TRANSFORMERS



### FEATURES

- 50 VA inherently energy limited
- Compact frame size
- No secondary fusing required
- Low heat rise
- Input voltages from 120-240 V, output 24 V
- Terminations with quick-connect or wires
- Customization for wire length, color, terminations and other customer requirements
- Split bobbin design
- Class B insulation systems 130° C
- UL/CUR File E214561

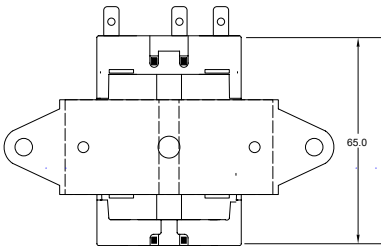
Primary Voltage	50VA Model Designation
*120	AHR50309
208/240	AHR50310
120	AHR50311
240	AHR50312
120/240	AHR30317
**120/208/240	AHR30318

\*60Hz operation only. All others are 50/60Hz  
 \*\*not available with Q1 or QT terminations

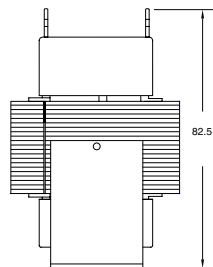


Example wire lead version with female QD terminals

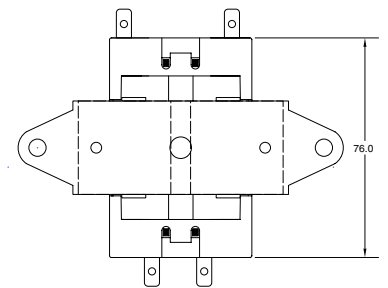
### Q1 One Side Termination



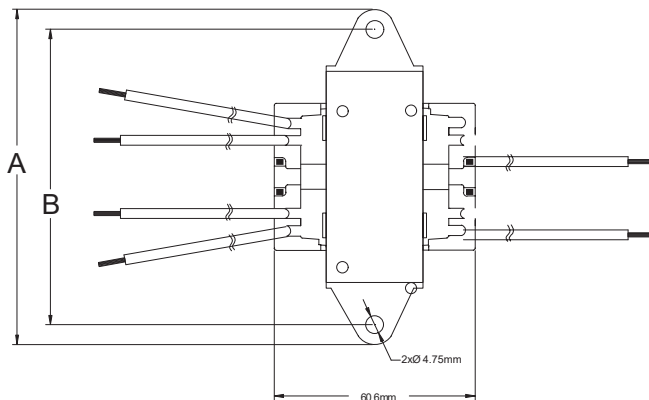
### QT Top Termination



### Q2 Two Side Termination

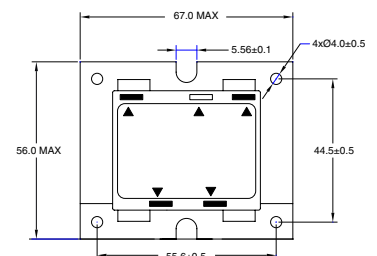


### W Wire Lead Termination (with Foot Mount Bracket)



Different options for mounting plate dimensions A & B

### Panel Mount Lamination Holes



# AHR Series

## 75 VA CLASS 2 UL 1585 TRANSFORMERS



### FEATURES

- 75 VA non-inherently energy limited
- Integrated 3.2A to 5A secondary resettable Circuit Breaker
- Low heat rise
- Input voltages from 120-575 V, output 24 V
- Terminations with quick-connect terminals
- Split bobbin design
- Class B insulation systems 130° C
- UL/CUR File E214561

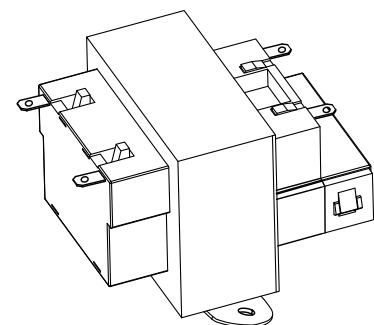
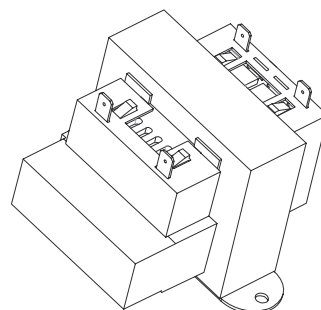
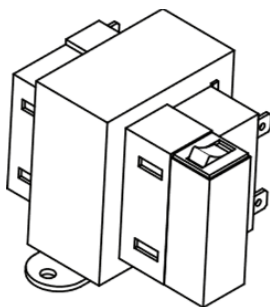
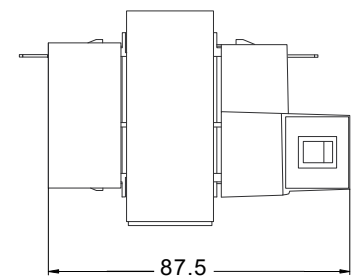
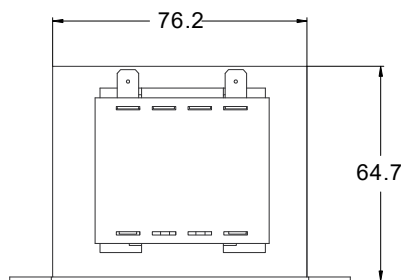
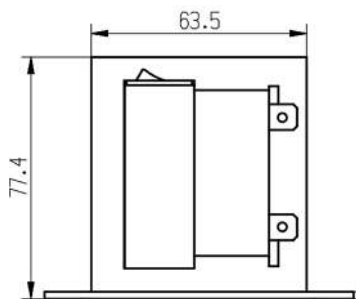
Primary Voltage	75 VA Model Designation
208/240	AHR75310
120	AHR75311
240	AHR75312
277	AHR75313
480	AHR75314
380/415	AHR75353
575	AHR75346
575	AHR75346
400	AHR75346



**Q1 One Side Termination**

**QT Top Termination**

**Q2 Two Side Termination**



All dimensions above shown in mm