

# QPD P4X2,5 6-10 BK - Connector



1424043

<https://www.phoenixcontact.com/us/products/1424043>

Please be informed that the data shown in this PDF document is generated from our online catalog. Please find the complete data in the user documentation. Our general terms of use for downloads are valid.



Connector, QUICKON connection, 1 mm<sup>2</sup> ... 2.5 mm<sup>2</sup>, 690 V, 20 A, black, with QUICKON nut, external cable diameter: 6 mm ... 10 mm

## Your advantages

- Innovative and time saving - QUICKON fast connection for time saving of up to 80 % for on-site connection
- Robust throughout: housing with IP68/IP69K and IK07 protection for a wide range of applications
- Safer connection with mechanical coding to protect against mismatching, and touch-proof protection in accordance with DIN EN 0105
- Easy maintenance – the connectors enable fast device replacement and preassembled cables simplify startup

## Commercial data

Item number	1424043
Packing unit	1 pc
Minimum order quantity	1 pc
Sales key	BF50
Product key	BF6BBB
GTIN	4055626366456
Weight per piece (including packing)	50.2 g
Weight per piece (excluding packing)	22.22 g
Customs tariff number	85366990
Country of origin	PL

# QPD P4X2,5 6-10 BK - Connector



1424043

<https://www.phoenixcontact.com/us/products/1424043>

## Technical data

### Product properties

Type	QPD 4x2,5
Product type	Installation connector
Product family	QPD
Number of positions	4
Position marking	1, 2, 3, 4
Number of connections per position	1
Series	QPD
Coding	Coding profile

### Insulation characteristics

Overvoltage category	III
Degree of pollution	3

### Electrical properties

Rated surge voltage (II/2)	6 kV
Rated surge voltage (III/2)	6 kV
Rated surge voltage (III/3)	6 kV
Rated current	20 A
Contact resistance	< 4 mΩ
rated voltage (II/2)	1000 V
rated voltage (III/2)	690 V
Rated voltage (III/3)	690 V
Nominal voltage $U_N$	690 V AC 690 V DC
Nominal current $I_N$	20 A

### Connection data

#### Connection technology

Connection technology	QUICKON connection
Connection system, internal	IDC connection
Frequency of connections between conductors of the same cross section	max. 10

#### Conductor connection

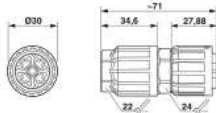
Conductor cross section flexibel	1 mm <sup>2</sup> ... 2.5 mm <sup>2</sup>
Conductor cross section solid	1 mm <sup>2</sup> ... 2.5 mm <sup>2</sup>
Connection cross section AWG	16 ... 14
Tightening torque, union nut	7 Nm

### Dimensions

# QPD P4X2,5 6-10 BK - Connector

1424043

<https://www.phoenixcontact.com/us/products/1424043>

Dimensional drawing	
Width	30 mm
Height	30 mm
Length	71 mm
Diameter	30 mm

## Material specifications

Material	PA
Flammability rating according to UL 94	V0
Contact material	Cu
Contact surface material	silver-plated
Contact carrier material	PA

## Cable/line

Structure of individual litz in acc. with VDE 0295 / smallest wire diameter	VDE 0295 class 1 to 6/min. 0.15 mm
External cable diameter ( )	6 mm ... 10 mm
Wire diameter including insulation	2 mm ... 3.6 mm
Position marking	1, 2, 3, 4
Material wire insulation	PVC/PE/TPE/rubber
Halogen-free	yes

## Mechanical properties

### Mechanical data

Insertion/withdrawal cycles	max. 50
-----------------------------	---------

## Environmental and real-life conditions

### Ambient conditions

Degree of protection	IP66 IP68 (2 m / 24 h) IP69K
Ambient temperature (operation)	-40 °C ... 100 °C
Temperature when conductor connected	-5 °C ... 50 °C
Ambient temperature (storage/transport)	-40 °C ... 100 °C

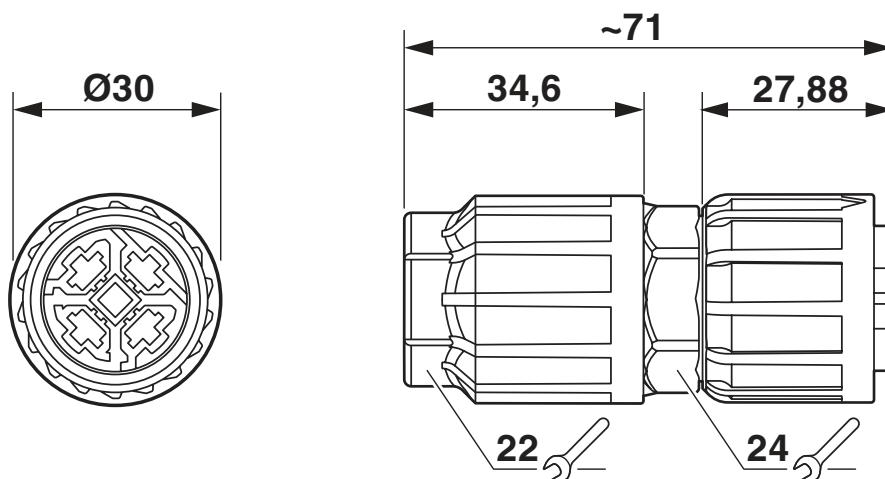
# QPD P4X2,5 6-10 BK - Connector

1424043

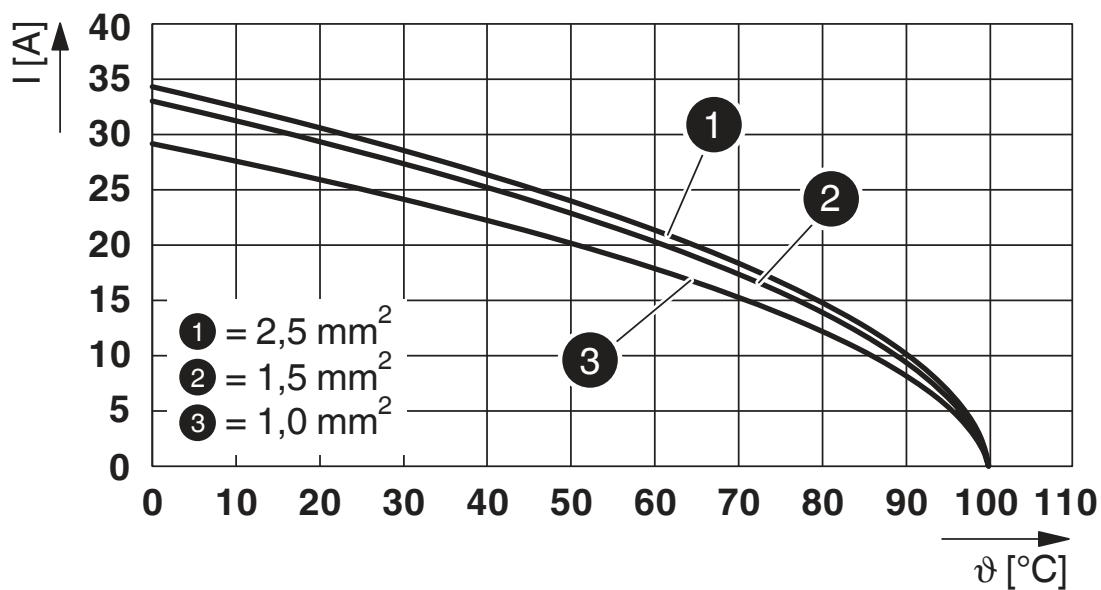
<https://www.phoenixcontact.com/us/products/1424043>

## Drawings

Dimensional drawing



Diagram



Derating diagram

# QPD P4X2,5 6-10 BK - Connector



1424043

<https://www.phoenixcontact.com/us/products/1424043>

## Approvals

To download certificates, visit the product detail page: <https://www.phoenixcontact.com/us/products/1424043>



### IECEE CB Scheme

Approval ID: DE1-65875



### VDE Zeichengenehmigung

Approval ID: 40029149

	Nominal voltage $U_N$	Nominal current $I_N$	Cross section AWG	Cross section $\text{mm}^2$
Only flexible conductors	400 V	20 A	-	1.5 - 2.5
Only rigid conductors	690 V	20 A	-	1.5 - 2.5

# QPD P4X2,5 6-10 BK - Connector



1424043

<https://www.phoenixcontact.com/us/products/1424043>

## Classifications

### ECLASS

ECLASS-11.0	27440605
ECLASS-12.0	27440605
ECLASS-13.0	27440605

### ETIM

ETIM 8.0	EC002560
----------	----------

### UNSPSC

UNSPSC 21.0	39121400
-------------	----------

# QPD P4X2,5 6-10 BK - Connector



1424043

<https://www.phoenixcontact.com/us/products/1424043>

## Environmental product compliance

China RoHS	Environmentally friendly use period: unlimited = EFUP-e
	No hazardous substances above threshold values

# QPD P4X2,5 6-10 BK - Connector

1424043

<https://www.phoenixcontact.com/us/products/1424043>

## Accessories

### CP QPD 4X2,5 - Coding profile

1425950

<https://www.phoenixcontact.com/us/products/1425950>



Coding profile red, for pushing into the QUICKON dome and connector, can be positioned in 90° steps.

---

### QPD PSK 5X1,5 - Protective cap

1414759

<https://www.phoenixcontact.com/us/products/1414759>



Protective cap plastic, for 5x 1.5 mm<sup>2</sup> QPD connector, IP50.



# QPD P4X2,5 6-10 BK - Connector

1424043

<https://www.phoenixcontact.com/us/products/1424043>



## SEALING PLUG 10X16 RD - Closing cap

1400284

<https://www.phoenixcontact.com/us/products/1400284>

Closing cap, for threads pluggable, color: red



---

## QSS 22 - Socket wrench

1670206

<https://www.phoenixcontact.com/us/products/1670206>

Allen wrench, for loosening and fastening the QUICKON union nut, WAF 22 mm



---

Phoenix Contact 2023 © - all rights reserved  
<https://www.phoenixcontact.com>

Phoenix Contact USA  
586 Fulling Mill Road  
Middletown, PA 17057, United States  
(+717) 944-1300  
[info@phoenixcon.com](mailto:info@phoenixcon.com)