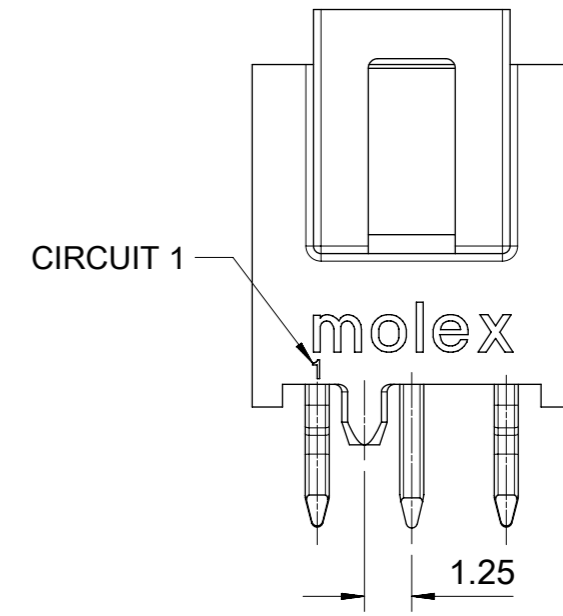
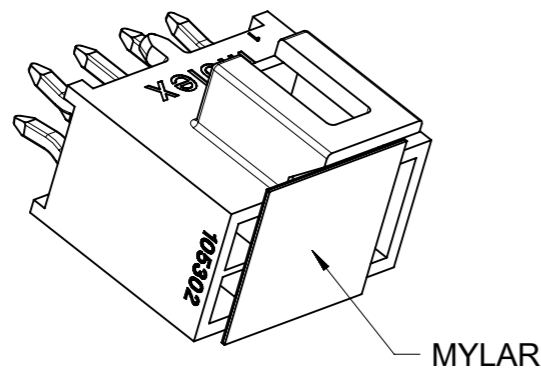


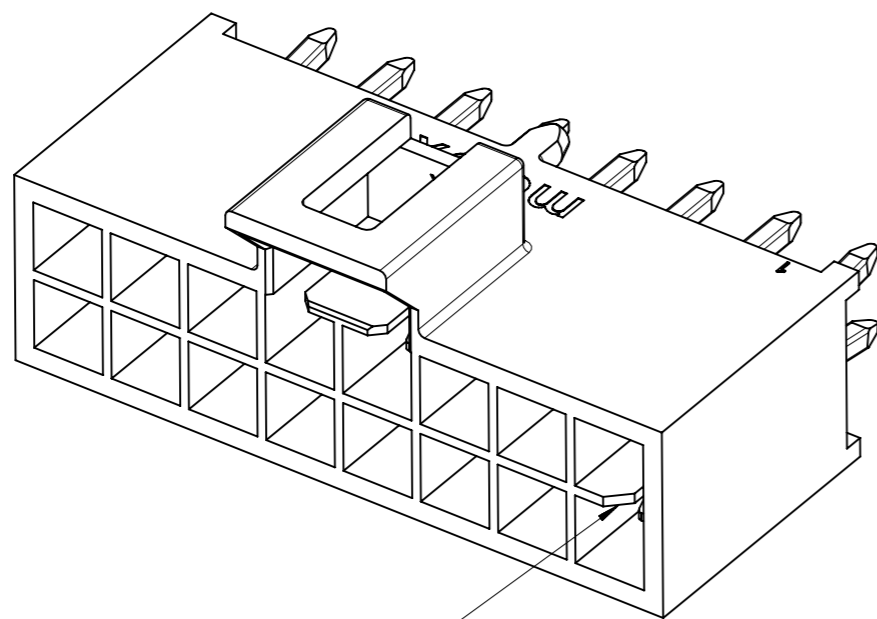
RECOMMENDED PCB(CONNECTOR SIDE VIEW)  
THICKNESS=1.6 TO 2.4 MM



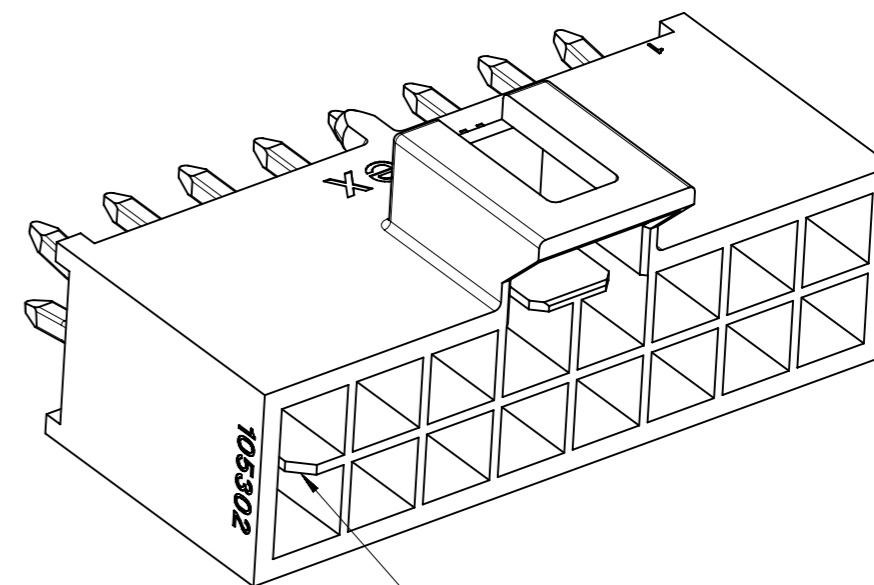
ONLY FOR CKT 6, 10, 14  
OTHER DIMENSIONS REFER TO LEFT VIEWS.



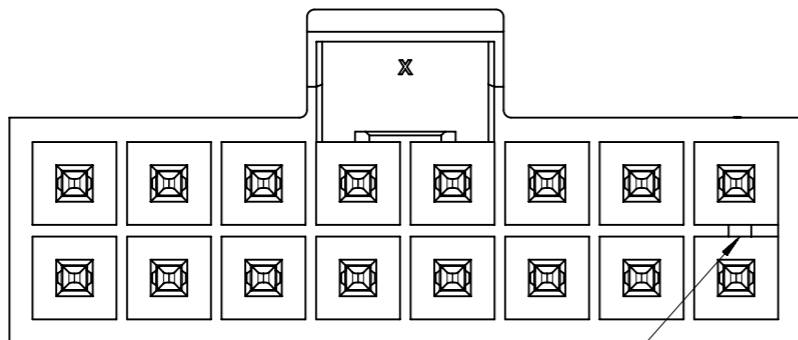
FUNCTIONAL SYMBOLS	THIS DRAWING CONTAINS INFORMATION THAT IS PROPRIETARY TO MOLEX ELECTRONIC TECHNOLOGIES, LLC AND SHOULD NOT BE USED WITHOUT WRITTEN PERMISSION		CURRENT REV DESC:		<b>molex</b>
	△/A = 0	mm	SCALE	5:1	
△/E = 0	GENERAL TOLERANCES (UNLESS SPECIFIED)				HEADER OF NANO-FIT, D/R, KINK, VERTICAL POWER CONNECTOR
△/V = 0	ANGULAR TOL ± 3.0°				
DIVISIONAL SYMBOLS	4 PLACES	±	EC NO: 698973		PRODUCT CUSTOMER DRAWING
	3 PLACES	±	DRWN: GLLI 2022/03/07		
	2 PLACES	±	CHK'D: XQZHANG 2022/03/11		
	1 PLACE	±	APPR: XQZHANG 2022/03/11		
	0 PLACES	±	INITIAL REVISION:		
DRAFT WHERE APPLICABLE MUST REMAIN WITHIN DIMENSIONS		THIRD ANGLE PROJECTION	DRAWING	SERIES	DOCUMENT NUMBER
			A3-SIZE	105310	1053101000-SD
					DOC TYPE
					PSD
					DOC PART
					000
					REVISION
					B1
					MATERIAL NUMBER
					GENERAL MARKET
					CUSTOMER
					1 OF 5
					SHEET NUMBER



KEY A

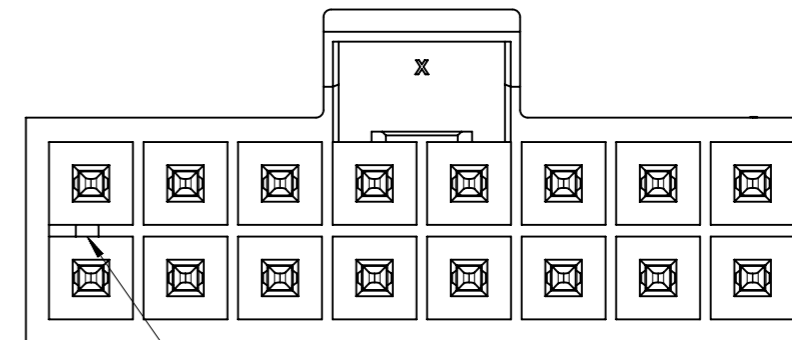


KEY B



KEY A

BLACK



KEY B

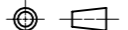
NATURAL

COLOR OPTION

FUNCTIONAL SYMBOLS	THIS DRAWING CONTAINS INFORMATION THAT IS PROPRIETARY TO MOLEX ELECTRONIC TECHNOLOGIES, LLC AND SHOULD NOT BE USED WITHOUT WRITTEN PERMISSION		CURRENT REV DESC:		<b>molex</b>		
	$\nabla_A = 0$ $\nabla_E = 0$ $\nabla_F = 0$	DIMENSION UNITS: <b>mm</b> SCALE: <b>5:1</b>					
DIVISIONAL SYMBOLS	4 PLACES	$\pm$	EC NO: 698973	2022/03/07	PRODUCT CUSTOMER DRAWING		
	3 PLACES	$\pm 0.1$	DRWN: GLLI	2022/03/11			
	2 PLACES	$\pm 0.2$	CHK'D: XQZHANG	2022/03/11	DOCUMENT NUMBER		
	1 PLACE	$\pm 0.3$	APPR: XQZHANG		1053101000-SD		
	0 PLACES	$\pm$	INITIAL REVISION:		DOC TYPE	DOC PART	REVISION
DRAFT WHERE APPLICABLE MUST REMAIN WITHIN DIMENSIONS		THIRD ANGLE PROJECTION	DRAWING	SERIES	MATERIAL NUMBER	CUSTOMER	SHEET NUMBER
			A3-SIZE	105310	1053101000-SD	GENERAL MARKET	2 OF 5



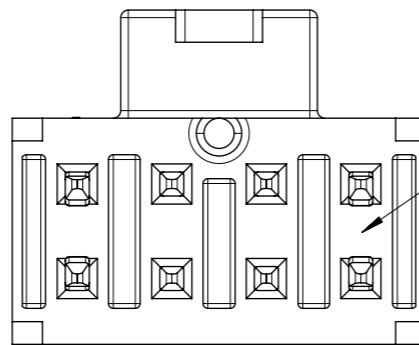
		4 CKT	6 CKT	8 CKT	10 CKT
F	BLACK				
E	NATURAL				
		12 CKT	14 CKT	16 CKT	
D	BLACK				
C	NATURAL				

FUNCTIONAL SYMBOLS	THIS DRAWING CONTAINS INFORMATION THAT IS PROPRIETARY TO MOLEX ELECTRONIC TECHNOLOGIES, LLC AND SHOULD NOT BE USED WITHOUT WRITTEN PERMISSION		CURRENT REV DESC:		<b>molex</b>		
	SCALE	3:1					
FUNCTIONAL SYMBOLS	mm		GENERAL TOLERANCES (UNLESS SPECIFIED)		EC NO: 698973		
FUNCTIONAL SYMBOLS			ANGULAR TOL ± 3.0°		DRWN: GLLI 2022/03/07		
DIVISIONAL SYMBOLS	4 PLACES	±	4 PLACES ±		CHK'D: XQZHANG 2022/03/11		
DIVISIONAL SYMBOLS	3 PLACES	± 0.1	3 PLACES ± 0.1		APPR: XQZHANG 2022/03/11		
DIVISIONAL SYMBOLS	2 PLACES	± 0.2	2 PLACES ± 0.2		INITIAL REVISION:		
DIVISIONAL SYMBOLS	1 PLACE	± 0.3	1 PLACE ± 0.3		DRWN: GLLI 2019/09/24		
DIVISIONAL SYMBOLS	0 PLACES	±	0 PLACES ±		APPR: YXZHENG 2020/03/16		
DRAFT WHERE APPLICABLE MUST REMAIN WITHIN DIMENSIONS		THIRD ANGLE PROJECTION		DRAWING	SERIES	MATERIAL NUMBER	CUSTOMER
				A3-SIZE	105310	1053101000-SD	GENERAL MARKET
				DOC TYPE	DOC PART	REVISION	
				PSD	000	B1	
				SHEET NUMBER		4 OF 5	

NOTES FOR ALL PARTS

1> MATERIAL:  
 HOUSING: LCP, UL 94V-0; TERMINAL: BRASS.  
 2> PLATING FINISHED:  
 TERMINAL:  
 CONTACT AREA: a. REFLOW MATTE TIN 1.5MICRONS MIN;  
 b. GOLD 0.38 MICRONS MIN;  
 c. GOLD 0.76 MICRONS MIN.  
 SOLDER AREA: MATTE TIN 1.5 MICRONS MIN, UNDER PLATING NICKEL 1.25 MICRONS MIN.

3> PRODUCT SPECIFICATION: PS-105300-100.  
 4> PACKAGE: TAPE REEL, 1053101000-PK.  
 5> PRODUCT MATE WITH SERIES OF 105308(RECEPTACLE), 105300(CRIMP TERMINAL).  
 6> PARTS CONFORM TO CLASS 'B'REQUIREMENTS OF COSMETIC SPECIFICATION PS-45499-002.  
 7> DISCOLORATION IN THE BANDOLIER PIN CARRIER AREA OF THE PIN IS INHERENT TO THE PLATING PROCESS AND IS DUE TO THE MASKING DEFECT OF THE CARRIER, THIS DISCOLORATION IS IN A NON-FUNCTION AREA OF THE PIN AND WILL NOT AFFECT THE PERFORMANCE OF THE HEADER ASSEMBLY.



IF ANY NUMBER MARK APPEARS ON THIS SURFACE, PLEASE DISREGARD IT, IT IS NO ANY FUCTION AND NO ANY RELATION TO PIN NUMBER, IT IS JUST FOR MOLDING IDENDIFICATION.

FUNCTIONAL SYMBOLS	THIS DRAWING CONTAINS INFORMATION THAT IS PROPRIETARY TO MOLEX ELECTRONIC TECHNOLOGIES, LLC AND SHOULD NOT BE USED WITHOUT WRITTEN PERMISSION		
	DIMENSION UNITS	SCALE	CURRENT REV DESC:
$\nabla_A = 0$	mm	1:1	EC NO: 698973 DRWN: GLLI CHK'D: XQZHANG APPR: XQZHANG
$\nabla_B = 0$	GENERAL TOLERANCES (UNLESS SPECIFIED)		
$\nabla_C = 0$	ANGULAR TOL $\pm 3.0^\circ$		2022/03/07
DIVISIONAL SYMBOLS	4 PLACES	$\pm$	2022/03/11
	3 PLACES	$\pm 0.1$	2022/03/11
	2 PLACES	$\pm 0.2$	2022/03/11
	1 PLACE	$\pm 0.3$	
	0 PLACES	$\pm$	
INITIAL REVISION:		2019/09/24	2020/03/16
DRWN: GLLI		2019/09/24	2020/03/16
APPR: YXZHENG		2019/09/24	2020/03/16
DRAFT WHERE APPLICABLE MUST REMAIN WITHIN DIMENSIONS		THIRD ANGLE PROJECTION	DRAWING
			A3-SIZE
		SERIES	105310
		MATERIAL NUMBER	1053101000-SD
		CUSTOMER	GENERAL MARKET
		DOC TYPE	PSD
		DOC PART	000
		REVISION	B1
		SHEET NUMBER	5 OF 5