

LXC150 series

LED Power Supply

Constant Current Power Supplies

LED Power
150W

LED POWER

next generation power
source

FEATURES

- High Efficiency (up to 92%)
- Constant Output Current
- Active PFC (Typical 0.99)
- IP67 Waterproof
- OVP, SCP
- -35 to 70°C deg operation
- Universal Input 90-305VAC
- UL8750 recognised
- EN61347-1, -2-13 compliant

The LXC150 series of constant current LED power supplies from Excelsys Technologies can deliver up to 150W of output power in an extremely compact package size.

The LXC150 series of constant current power supplies provides up to 5950mA of output current and 428V output voltage solutions for specific LED requirements. With industry leading efficiencies, and an extensive protection feature set, the LXC150 series provides high reliability and high performance in a compact package.

Model Number	Output Voltage	Output Current	Input Voltage	OVP Latching max	Efficiency
LXC150-0350SW	256-428V	350mA	90-305VAC	642V	92.0%
LXC150-0450SW	200-333V	450mA	90-305VAC	500V	92.0%
LXC150-0700SW	128-214V	700mA	90-305VAC	321V	92.0%
LXC150-1050SW	85-142V	1050mA	90-305VAC	213V	92.0%
LXC150-1400SW	64-107V	1400mA	90-305VAC	161V	91.0%
LXC150-1750SW	51-85V	1750mA	90-305VAC	128V	91.0%
LXC150-2100SW	42-71V	2100mA	90-305VAC	107V	91.0%
LXC150-2450SW	36-61V	2450mA	90-305VAC	92V	91.0%
LXC150-2800SW	31-53V	2800mA	90-305VAC	80V	91.0%
LXC150-3150SW	28-47V	3150mA	90-305VAC	71V	91.0%
LXC150-3500SW	25-42V	3500mA	90-305VAC	63V	91.0%
LXC150-4200SW	21-35V	4200mA	90-305VAC	53V	90.0%
LXC150-4900SW	18-30V	4900mA	90-305VAC	45V	90.0%
LXC150-5950SW	15-25V	5950mA	90-305VAC	38V	90.0%

Input Specifications					
Parameter	Conditions/Description	Min	Nom	Max	Units
Input Voltage Range	Universal Input	90		305	VAC
Input Frequency Range		47		63	Hz
Input Current	100VAC in, 100W output			1.8	A
Inrush Current	230VAC in, 25°C, Cold Start			65	A
Power Factor	220VAC, 110VAC	0.96		0.99	
Output Specifications					
Parameter	Conditions/Description	Min	Nom	Max	Units
Line Regulation				±1	%
Load Regulation				±3	%
Voltage Range	See table of outputs				
Output Current Range	% of Iout			±5	%
Ripple and Noise	20MHz Bandwidth. See Note 1			3.0	% pk-pk
Overshoot				10	%
Turn-on Delay	Measured at 220VAC and full load			2	s
Short Circuit Protection	Auto Recovery				
Over Voltage Protection	Latching. See individual models OVP levels				
General Specifications					
Parameter	Conditions/Description	Min	Nom	Max	Units
Isolation Voltage	Input to Output See Note 2	3750			VAC
	Input to Chassis	1500			VAC
Efficiency	See individual models		91		%
Safety Agency Approvals	UL8750, EN61347-1, -2-13				
MTBF	MIL HDBK 217F, 110VAC Input, 80% load, 25°C		271,000		Hours
Lifetime	220VAC Input, 80% load, 45°C		100,000		Hours
Weight			1500		g
Operating Temperature		-35		+70	°C
Storage Temperature		-40		+85	°C
Relative Humidity	Non-condensing (operating)	10		100	%RH



Europe/Asia

Excelsys Technologies Ltd t: +353 21 4354716
 27 Eastgate Drive f: +353 21 4354864
 Eastgate Business Park e: sales@excelsys.com
 Little Island, Cork, Ireland
 IRELAND

North America

Excelsys Technologies t: (972) 771 4544
 519 Interstate 30, #309 f: (972) 421 1805
 Rockwall, TX 75087 e: salesusa@excelsys.com
 USA

EMC			
Parameter	Standard	Level	Units
Emissions			
Conducted	EN55015	Compliant	
Radiated	EN55015	Compliant	
Harmonic Distortion	EN61000-3-2	Compliant	
Flicker and Fluctuation	EN61000-3-3	Compliant	
Immunity			
ESD	EN61000-4-2	Level 4	
Radiated RFI	EN61000-4-3	Level 3	
Fast Transients - burst	EN61000-4-4	Level 4	
Surge Immunity	EN61000-4-5	Level 4	
Conducted RFI	EN61000-4-6	Compliant	
Power Freq Magnetic Field	EN61000-4-8	Compliant	
Voltage Dips	EN61000-4-11		

Note 1. Output connected in parallel with 0.1uF ceramic capacitor and 10uF electrolytic capacitor.
 Note 2. Primary to Secondary Isolation test not to be carried out on power supply.

INPUT / OUTPUT WIRING

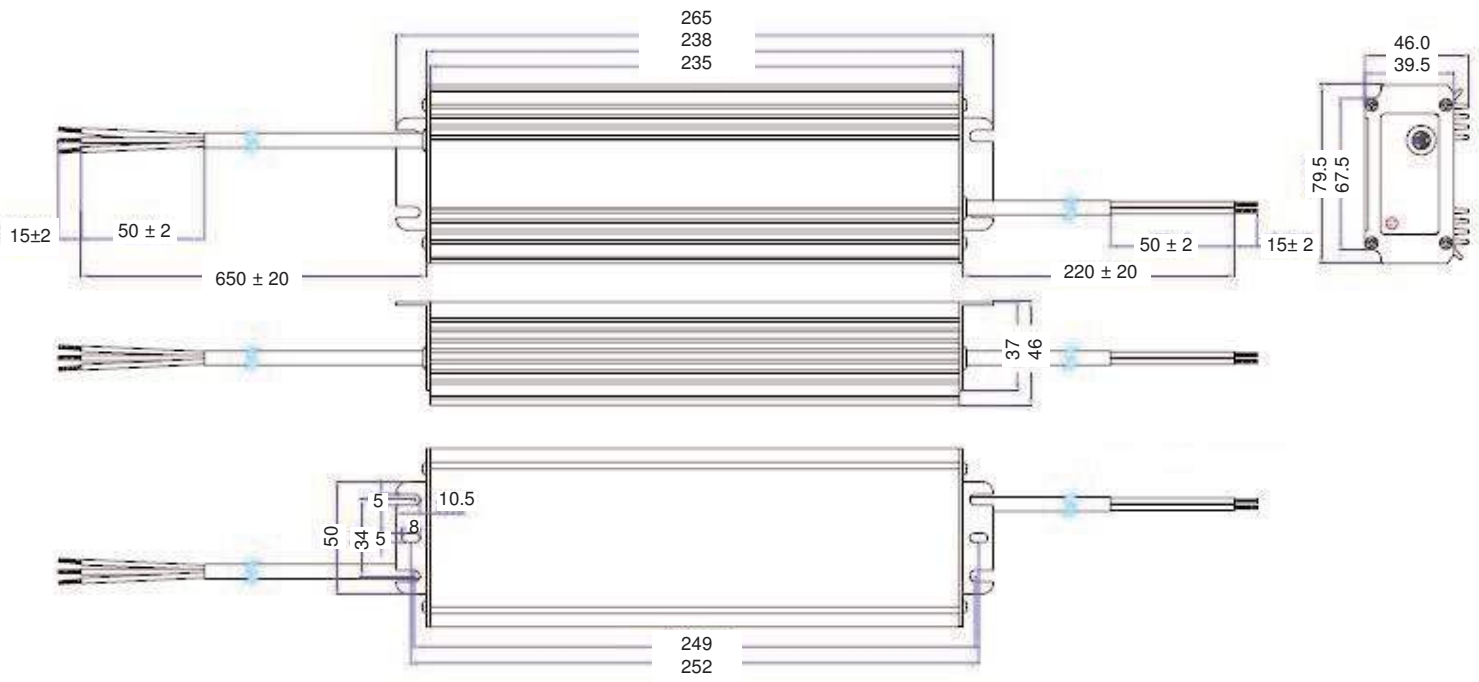
INPUT CABLE

SJTW 18AWG 3C
 Black (L), White(N), Green 650±20mm

OUTPUT CABLE

SJTW 18AWG 2C
 Black (-V) and Red (+V) 220±20mm

MECHANICAL SPECIFICATIONS



Specifications are subject to change without notice
 LXC150 Datasheet 28 April 2011



Europe/Asia		North America	
Excelsys Technologies Ltd	t: +353 21 4354716	Excelsys Technologies	t: (972) 771 4544
27 Eastgate Drive	f: +353 21 4354864	519 Interstate 30, #309	f: (972) 421 1805
Eastgate Business Park	e: sales@excelsys.com	Rockwall, TX 75087	e: salesusa@excelsys.com
Little Island, Cork, Ireland		USA	
IRELAND			