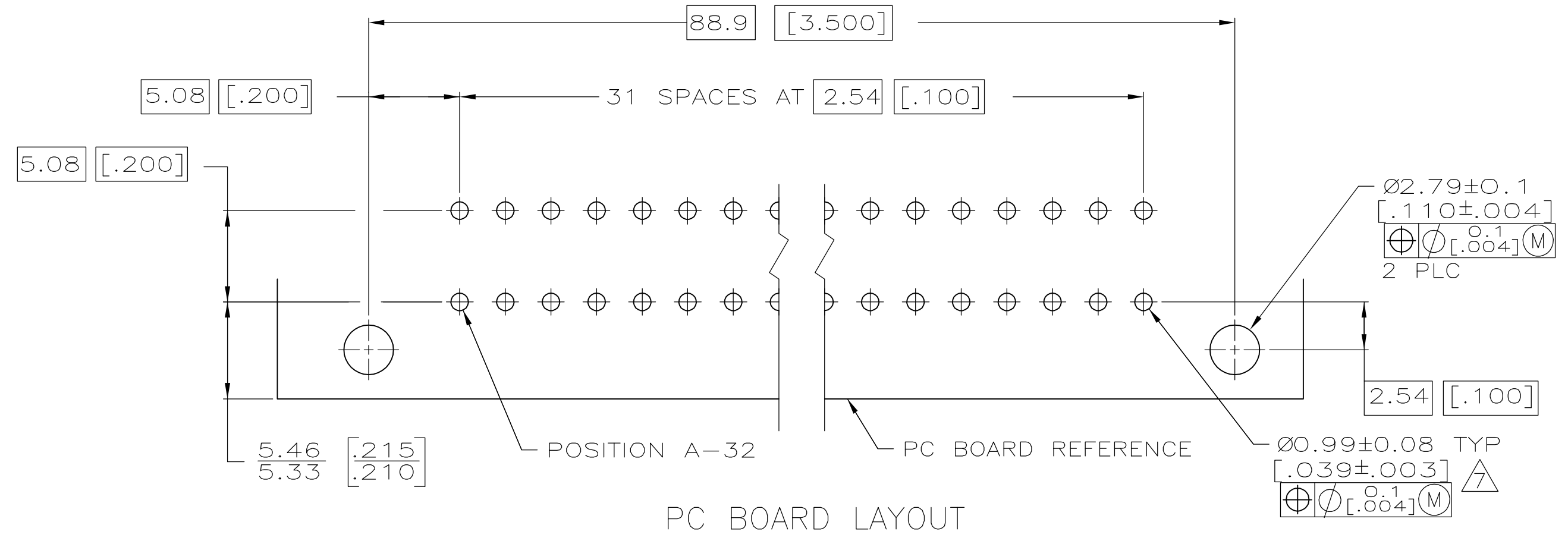
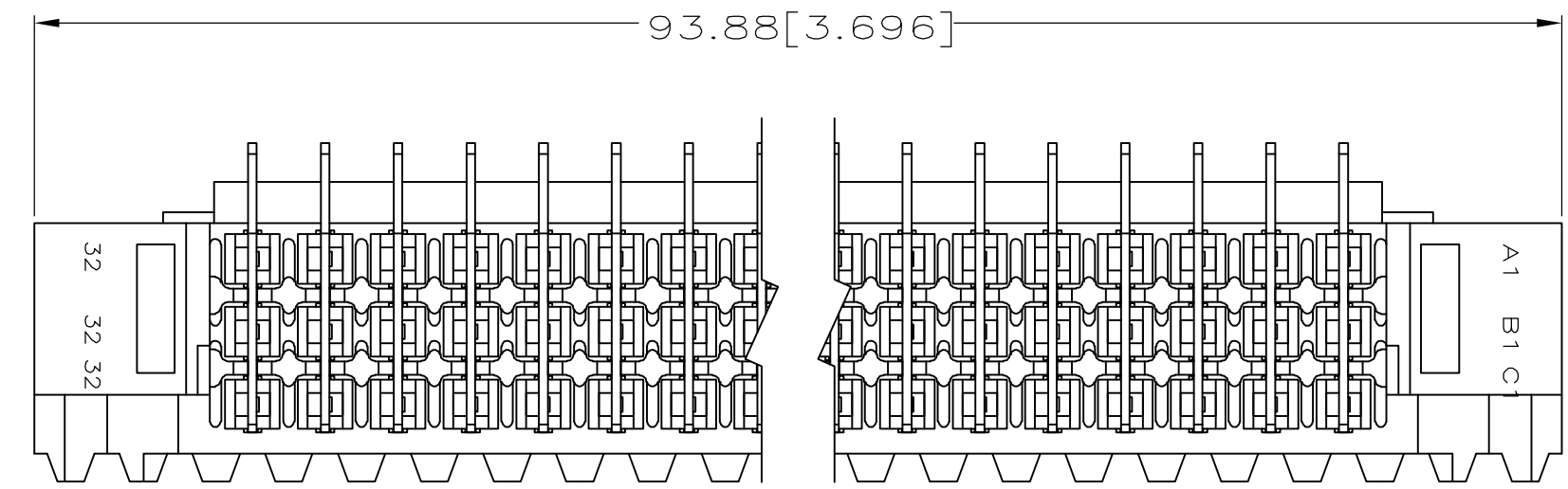
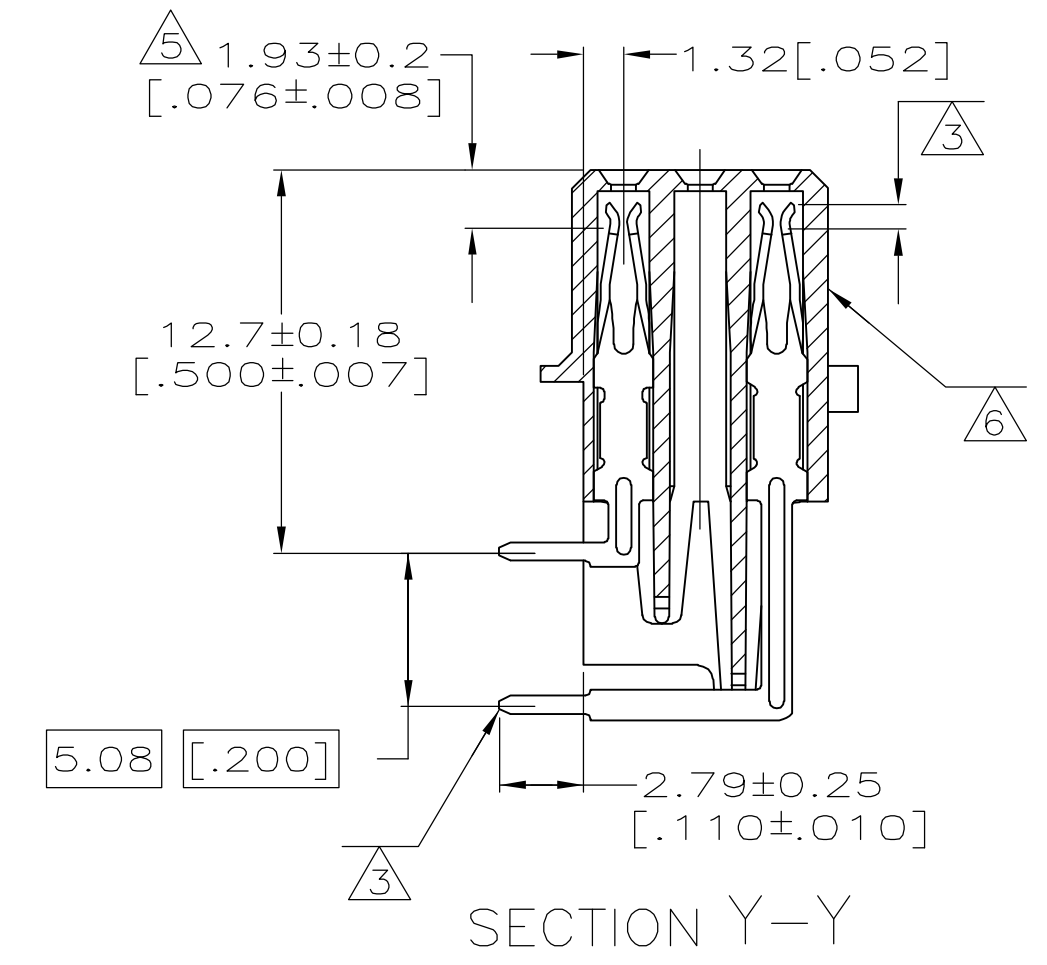
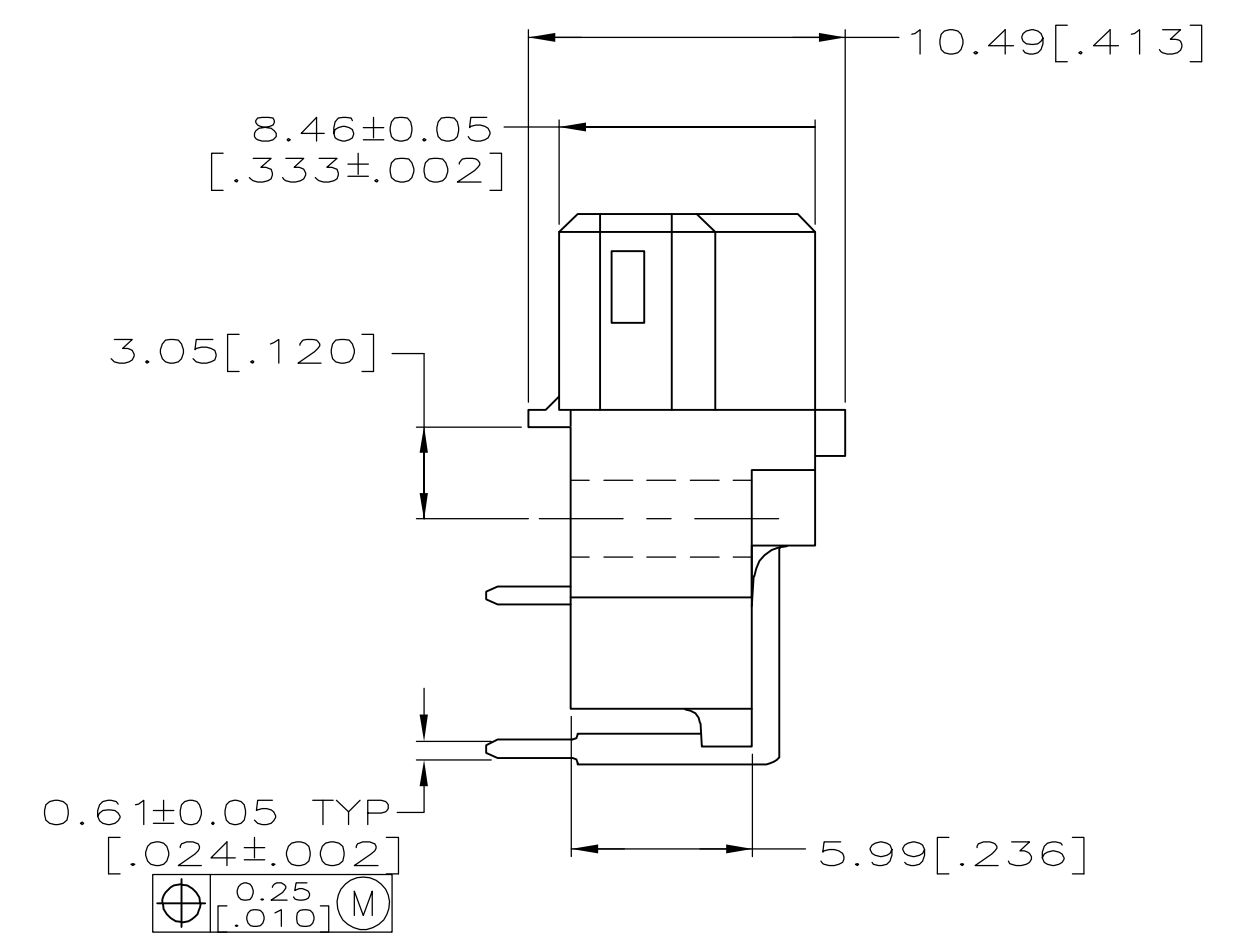
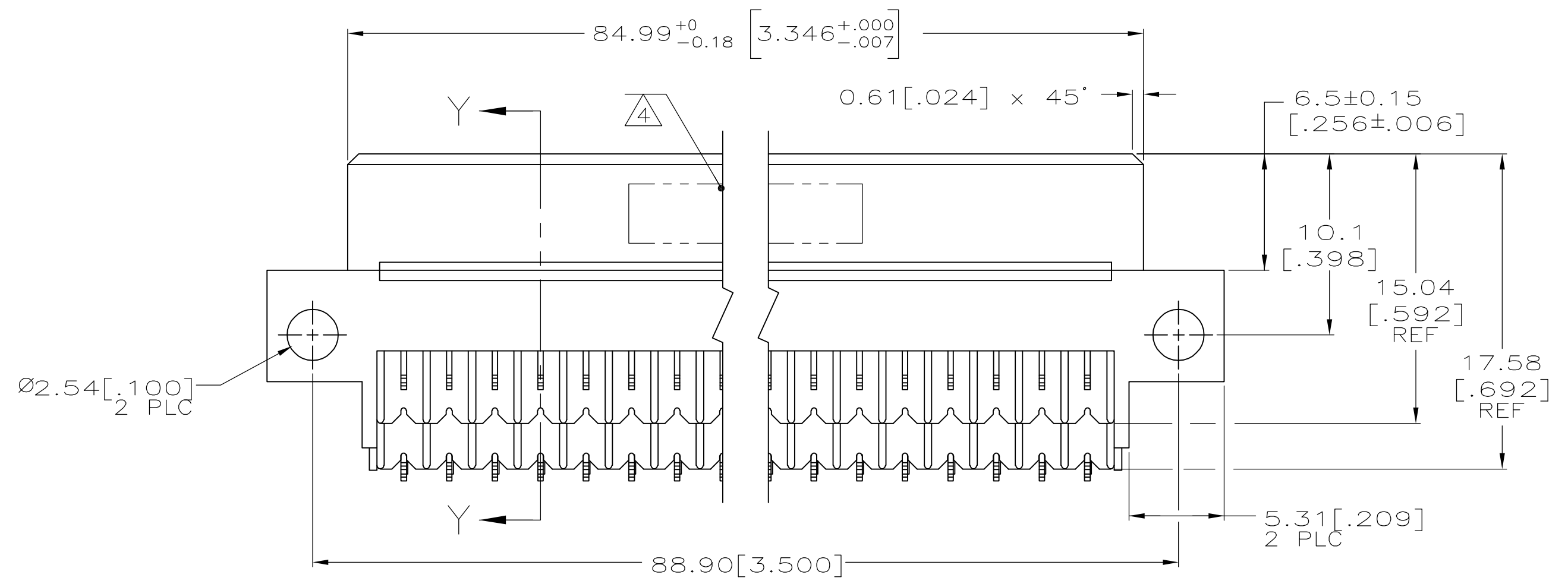


- 1 HOUSING MATERIAL: GLASS-FILLED POLYMER.
- 2 CONTACT MATERIAL: COPPER ALLOY.
- 3 CONTACT FINISH: DIN 41612 CLASS 2 IN CONTACT AREA. TIN PLATE ON POSTS.
- 4 PART NUMBER, DATE CODE IDENTIFICATION, CSA LOGO, THIS APPROXIMATE AREA.
- 5 CONTACT POINT.
- 6 MARKING ON THIS SIDE.
- 7 RECOMMENDED HOLE SIZE FOR MANUAL APPLICATION OF CONNECTOR ONTO PC BOARD.



1 THRU 32	X	-	X	64	5650870-5
1 THRU 32	X	-	X	64	5650870-4
NOTES	POSITIONS LOADED	ROWS LOADED	NO. OF LOADED POSITION	ASSY PART NUMBER	

THIS DRAWING IS A CONTROLLED DOCUMENT.		DWN J. POLIGNONE	03JUN05	Tyco Electronics Corporation Harrisburg, Pa 17105-3608	
DIMENSIONS: mm [INCHES]		CHK A. SHARPE	03JUN05	NAME ASSEMBLY, RECEPTACLE, EUROCARD, TYPE R, LEAD-FREE, A and C, 64/96 POSITION, 2.79[.110] SOLDER POSTS	
TOLERANCES UNLESS OTHERWISE SPECIFIED:		APPD A. SHARPE	03JUN05	PRODUCT SPEC	
0 PLC ± -		APPLICATION SPEC		SIZE CAGE CODE DRAWING NO RESTRICTED TO	
1 PLC ± -		MATERIAL		A1 00779 ©=5650870	
2 PLC ± 0.15[.005]		FINISH		WEIGHT -	
3 PLC ± -		CUSTOMER DRAWING		SCALE 4:1 SHEET 1 OF 1 REV 0	
4 PLC ± -					
ANGLES ± -					
FINISH ± -					