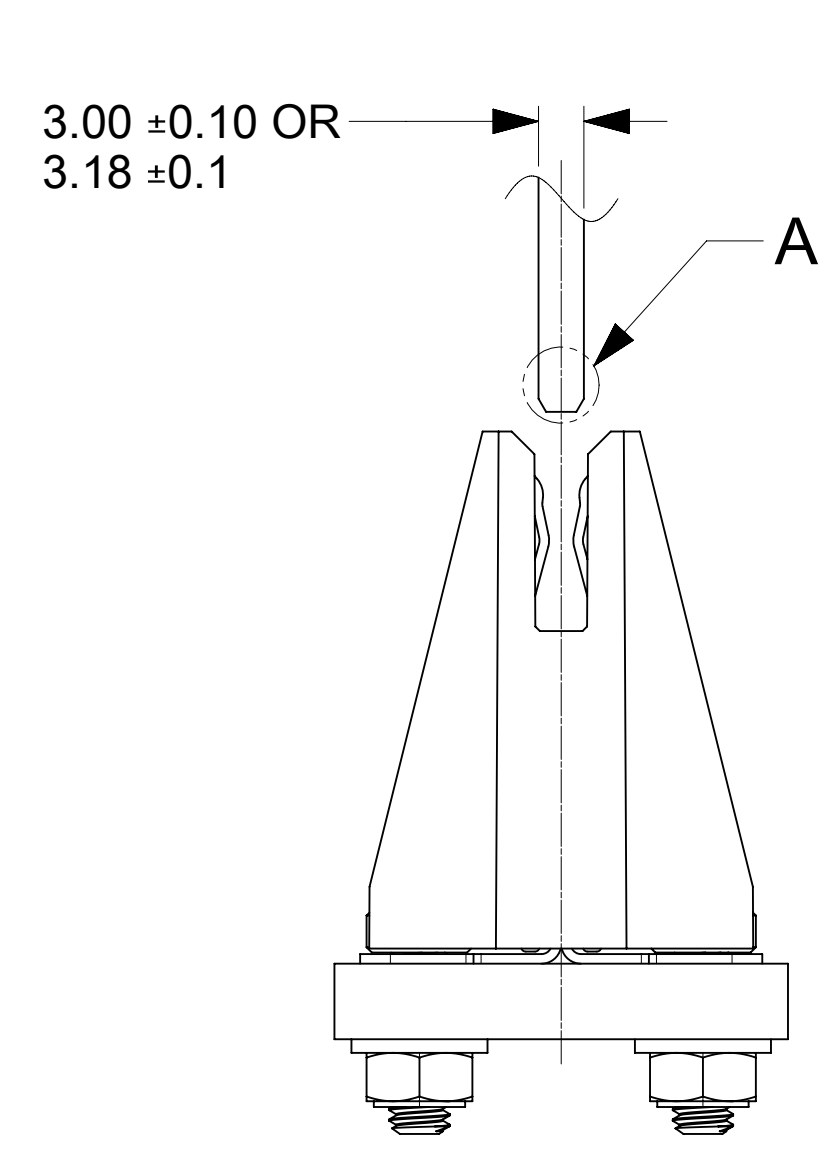
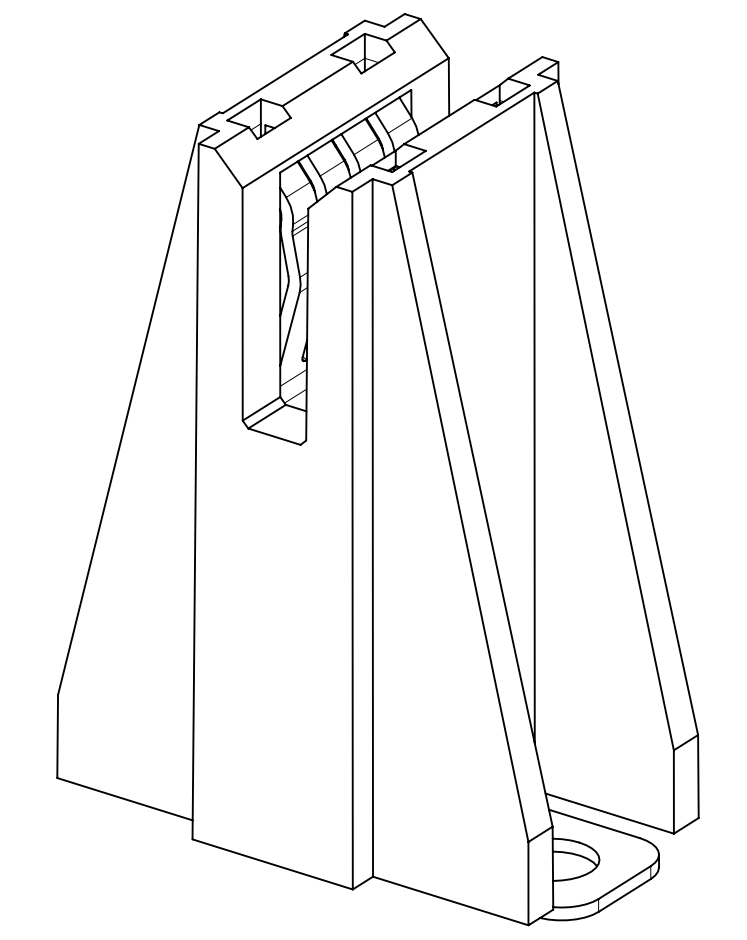
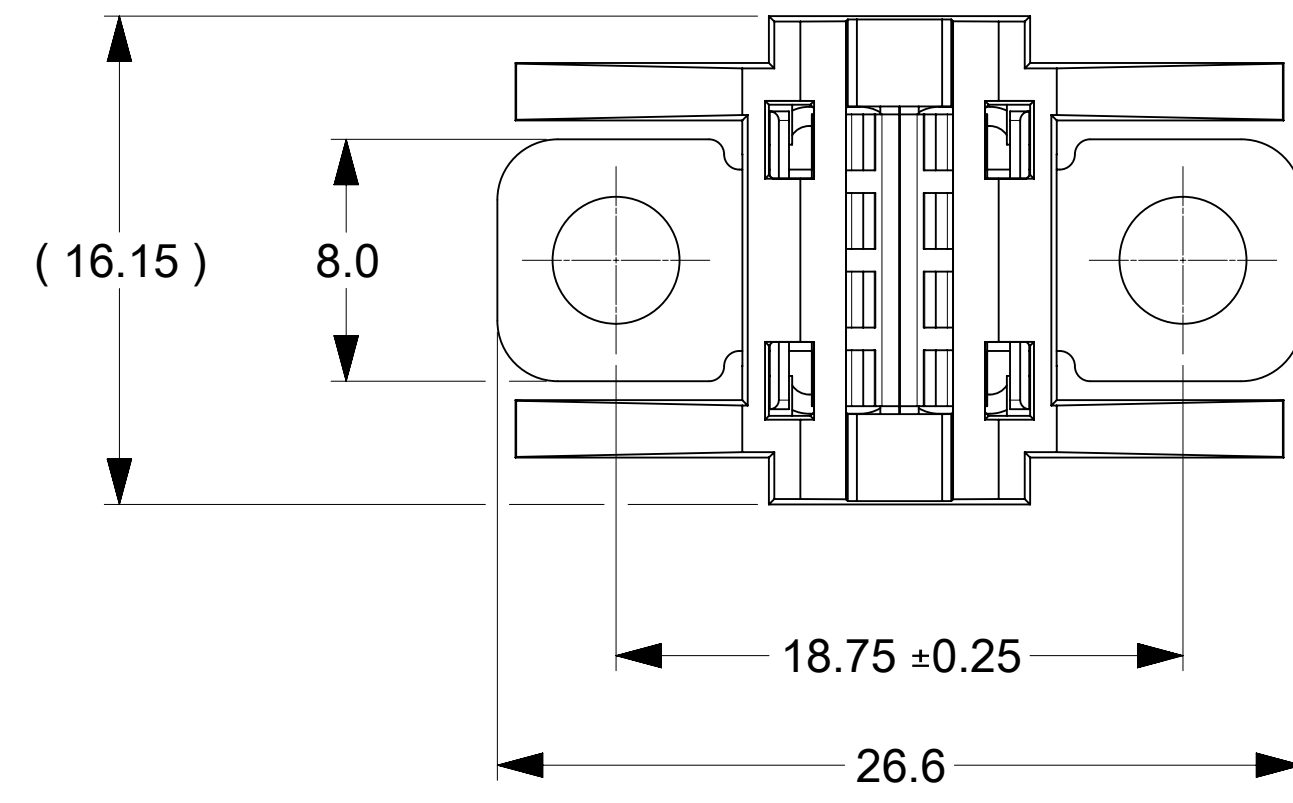
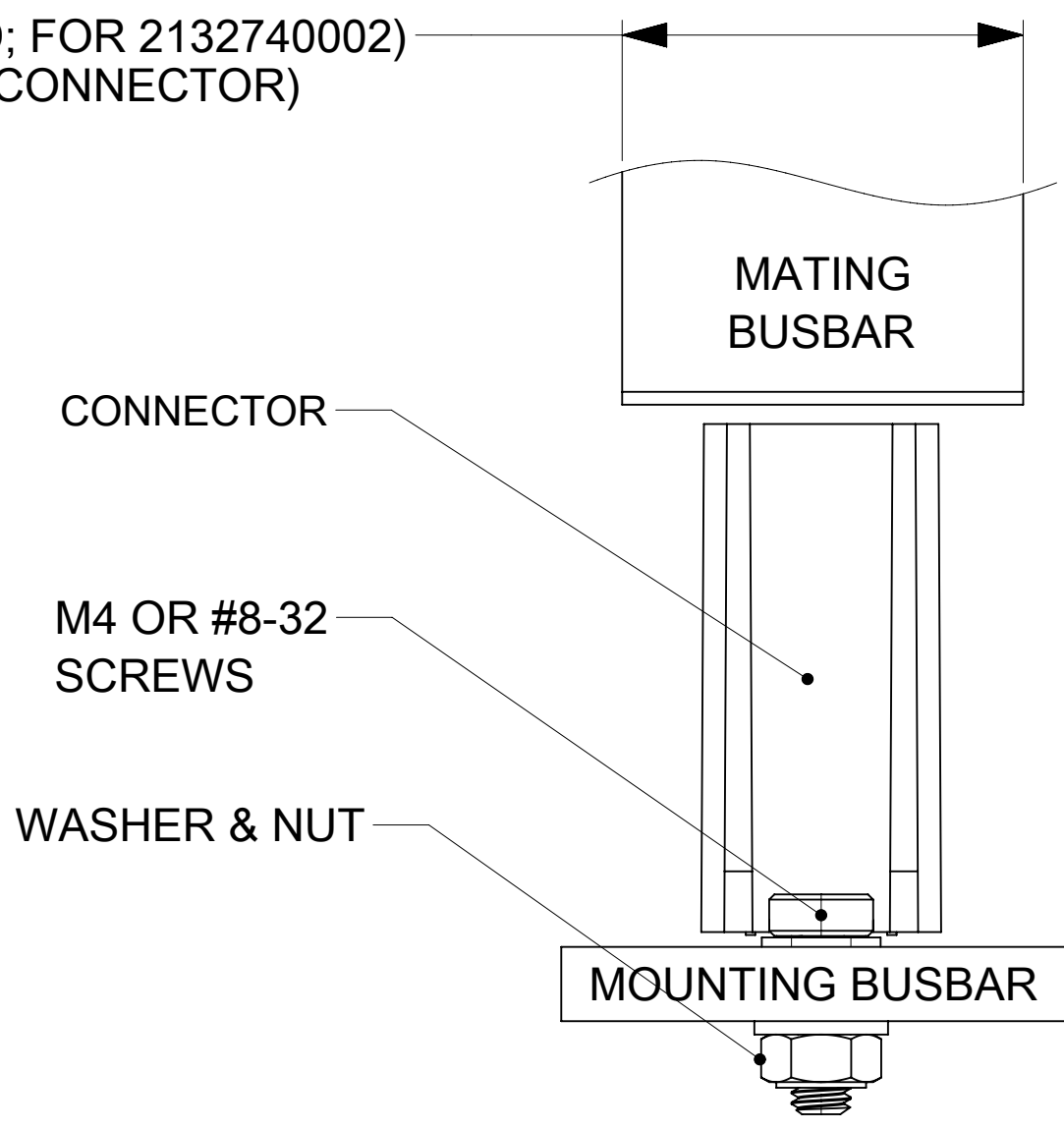


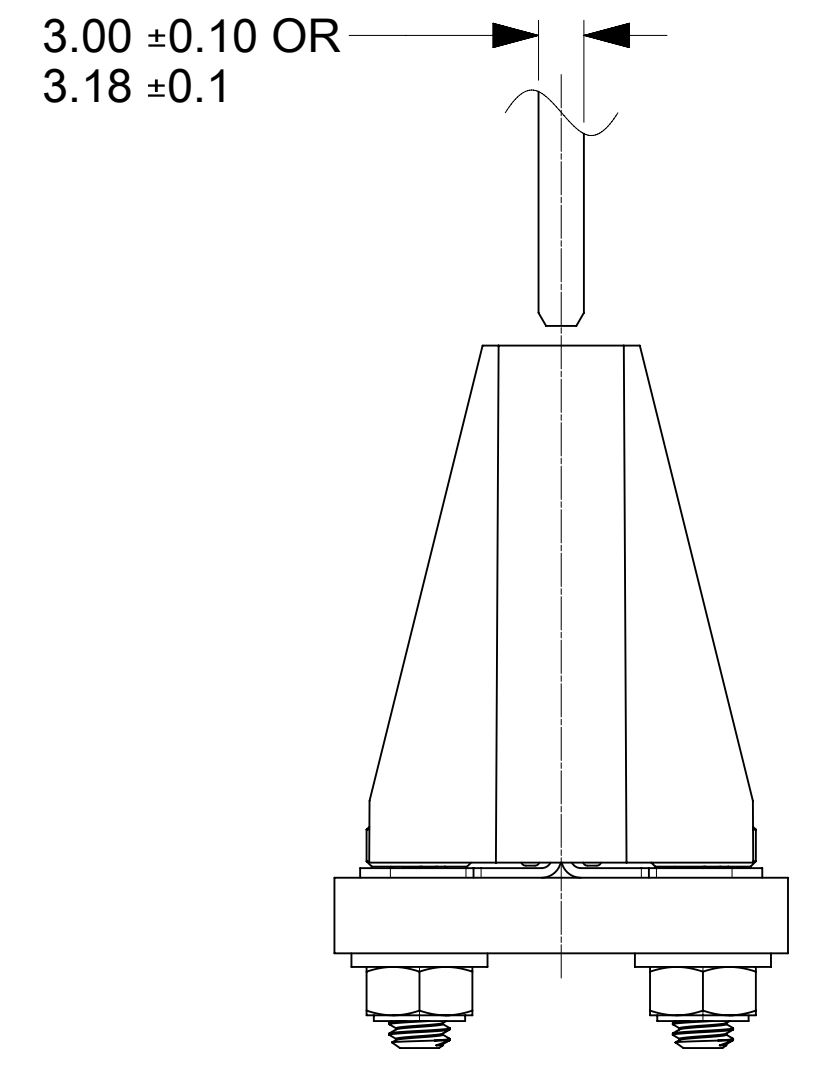
PART NUMBER	DESCRIPTION	NOTE
2132740002	OPEN SIDE WALL	
2132741002	CLOSED SIDE WALL	



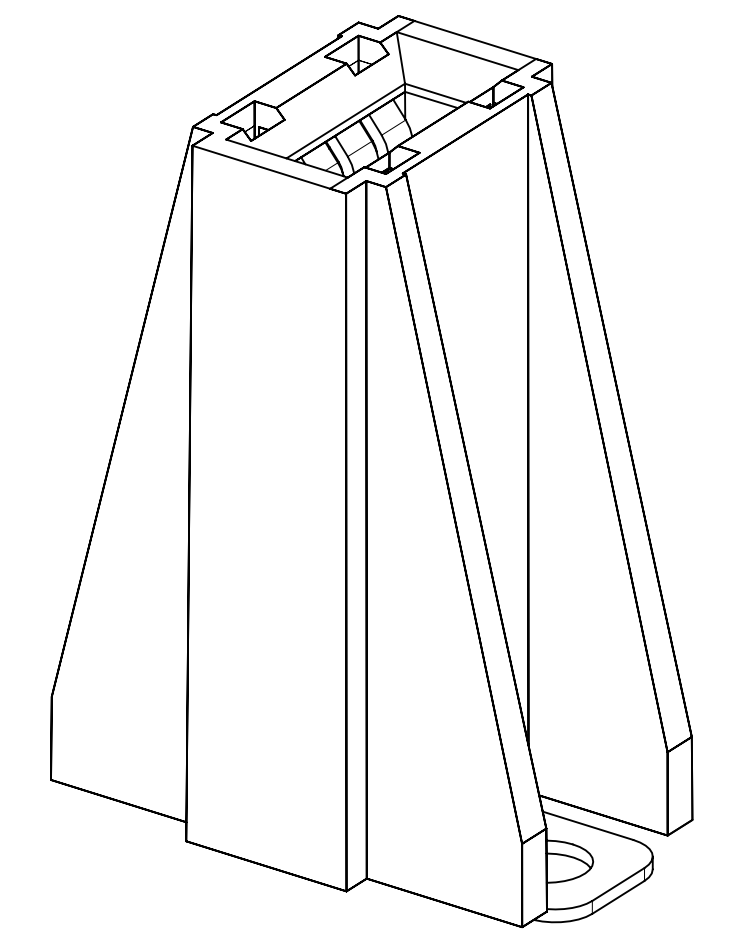
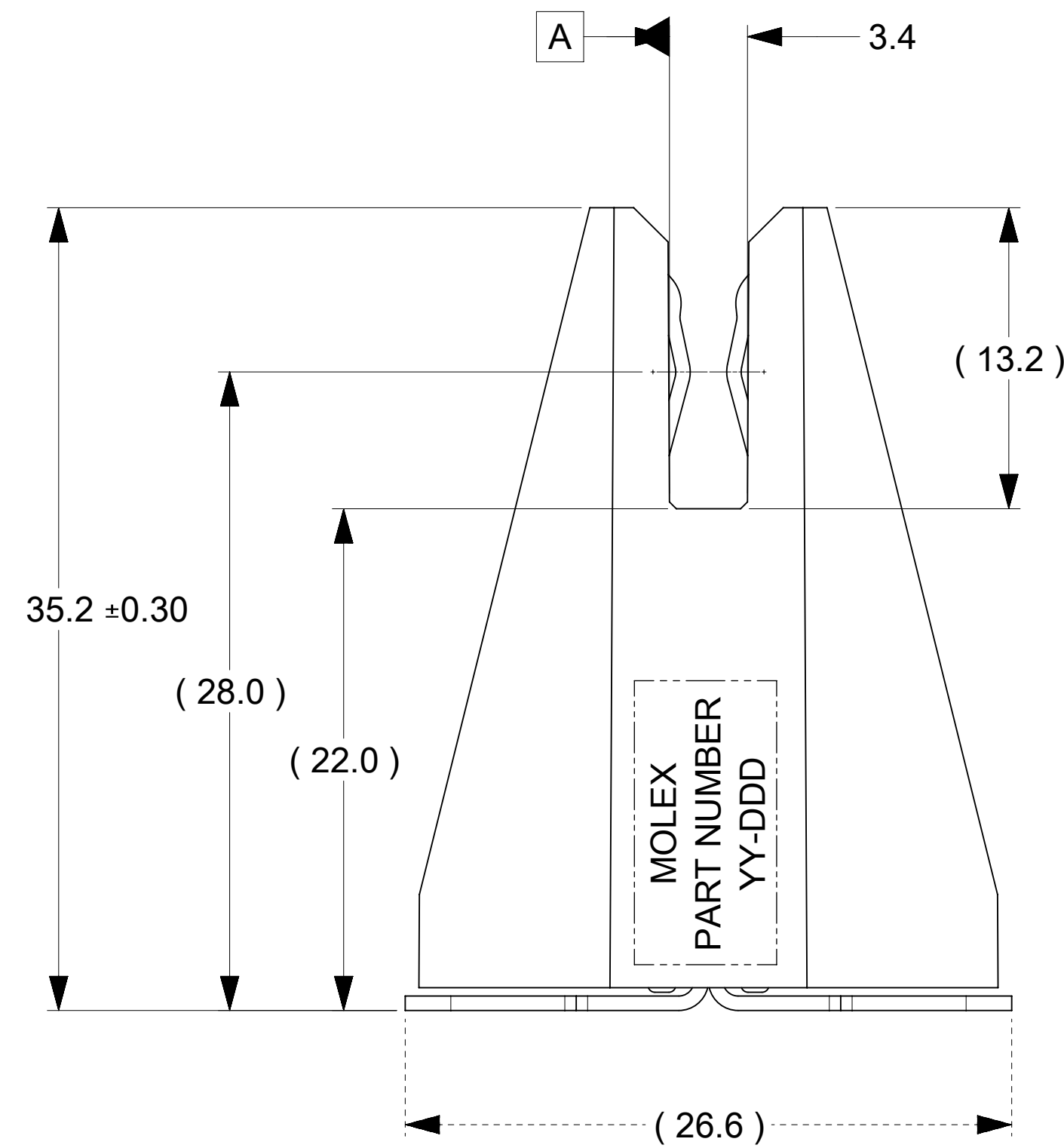
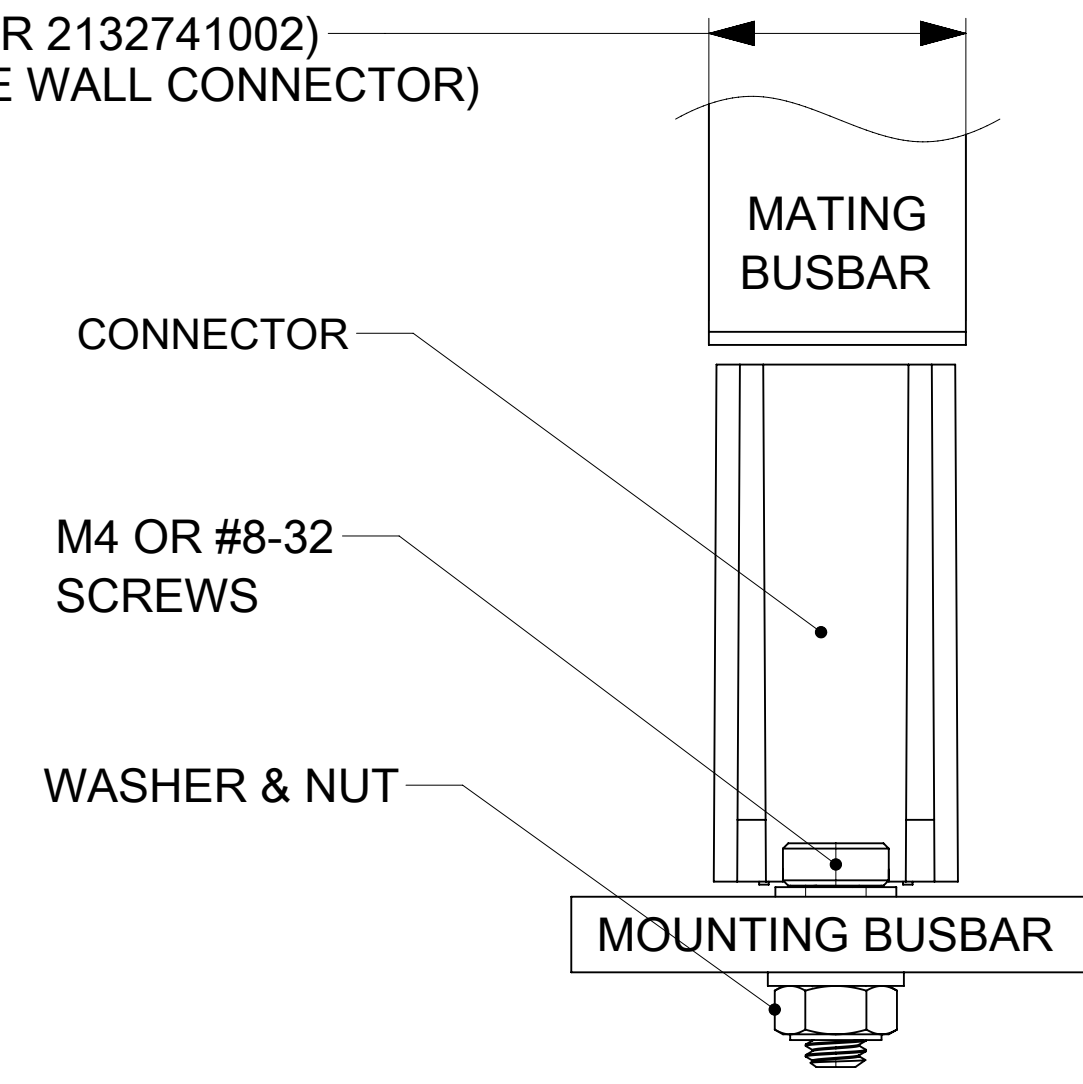
>15 (>20 IS PREFERRED; FOR 2132740002)
(OPEN SIDE WALL CONNECTOR)



PART NUMBER: 2132740002
(OPEN SIDE WALLS)

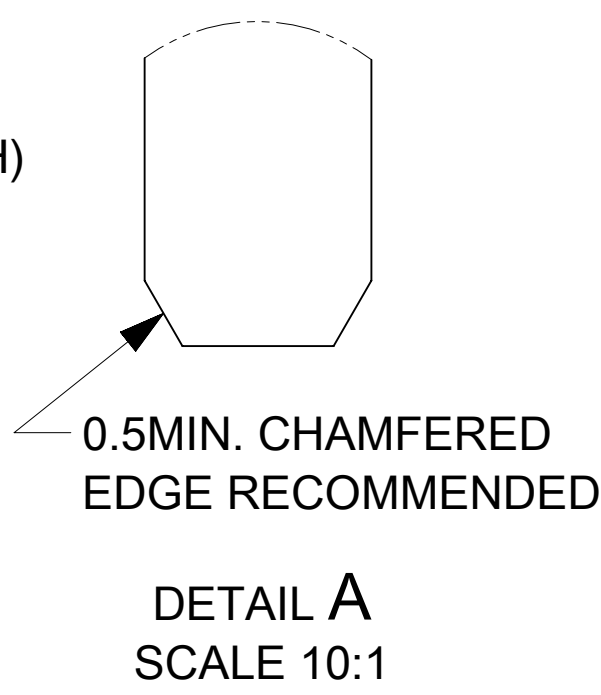
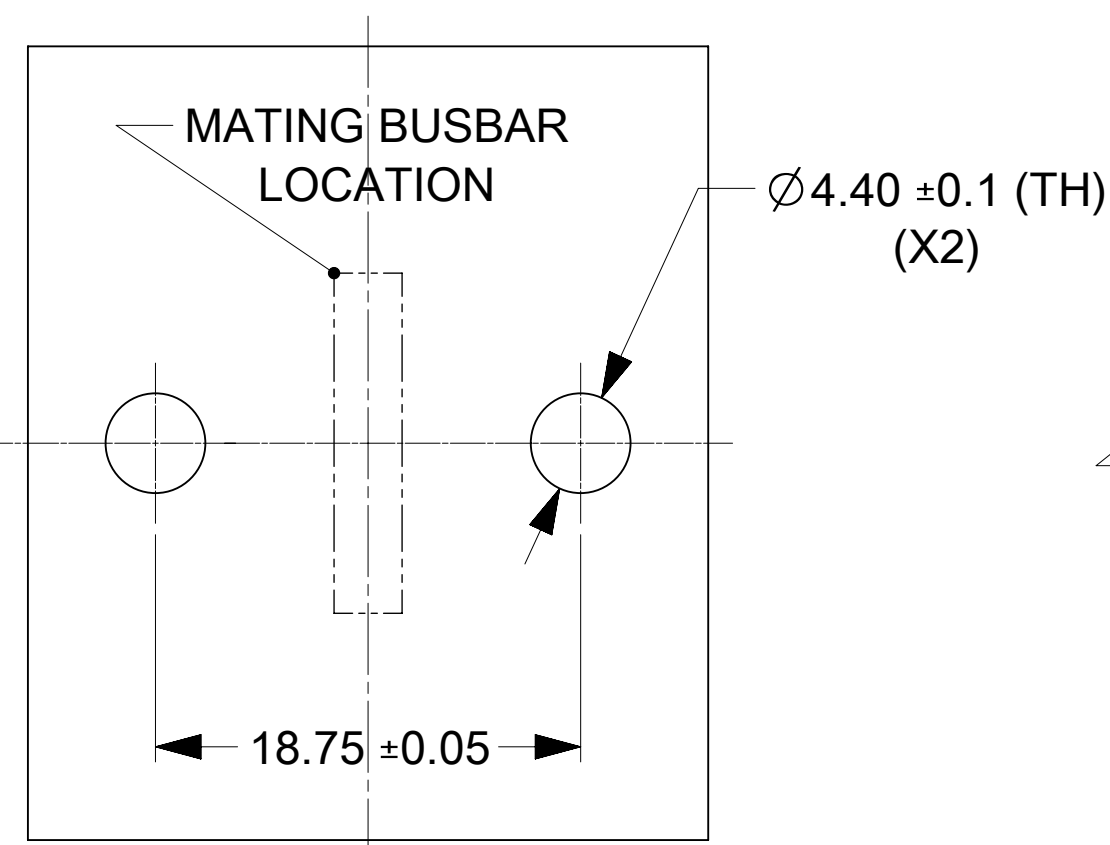


9.5 (FOR 2132741002)
(CLOSED SIDE WALL CONNECTOR)



PART NUMBER: 2132741002
(CLOSED SIDE WALLS)

BUSBARS, SCREWS, WASHER AND NUTS
IN THESE VIEWS ARE SHOWN FOR REFERENCE



- NOTES:
- MATERIALS:
 - HOUSING BODY: POLYMER, UL94V-0, BLACK.
 - TERMINALS: COPPER ALLOY.
 - RIVET/CLIP: COPPER ALLOY.
 - PLATING:
 - CONTACT AREAS: 3.18 MICRON MIN. SILVER, OVER 1.27 MICRON MIN. NICKEL.
 - TAB AREAS: 3.18 MICRON MIN. TIN OVER 1.27 MICRON MIN. NICKEL.
 - REST: 1.27 MICRON MIN. NICKEL.
 - LUBRICATION: LUBED IN CONTACT AREA.
 - REFERENCE DOCUMENT: 2132740001-PS, 2132740001-AS
 - MODULE ASSEMBLY IS RoHS COMPLIANT.
 - FINAL ASSEMBLY TO BE PACKAGED AND LABELED PER PACKAGING KIT DRAWING NUMBER 2132740002-PK.

DIMENSION UNITS		SCALE	CURRENT REV DESC:		
mm		3:1			
GENERAL TOLERANCES (UNLESS SPECIFIED)			EC NO: 691462		
4 PLACES	±		DRWN: TOMLU	2022/03/02	
3 PLACES	±		CHK'D: BPISZCZOR	2022/03/09	
2 PLACES	±	0.15	APPR: BPISZCZOR	2022/03/09	
1 PLACE	±	0.25	INITIAL REVISION:		
0 PLACES	±		DRWN: TOMLU	2021/06/23	
DRAFT WHERE APPLICABLE MUST REMAIN WITHIN DIMENSIONS			APPR: BPISZCZOR	2022/03/09	
THIRD ANGLE PROJECTION		DRAWING	SERIES	MATERIAL NUMBER	CUSTOMER
		D-SIZE	213274	SEE CHART	
DOCUMENT NUMBER			DOC TYPE	DOC PART	REVISION
2132740002-SD			PSD	000	A
SHEET NUMBER					
1 OF 1					