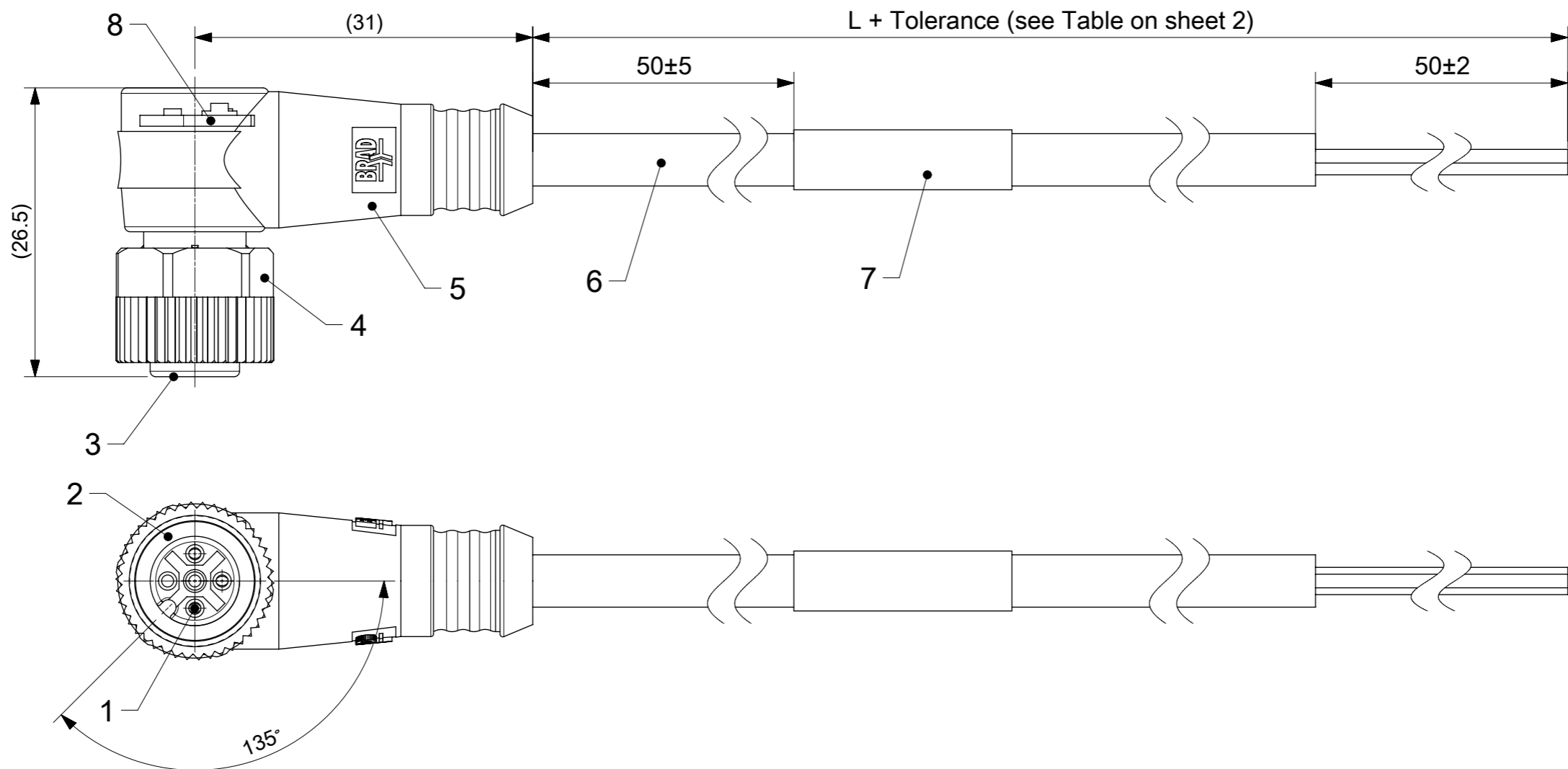
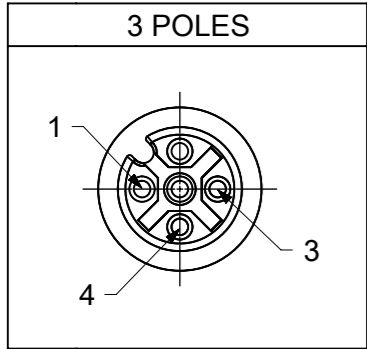


# FEMALE PLUG M12 90° ANGLED PNP LED



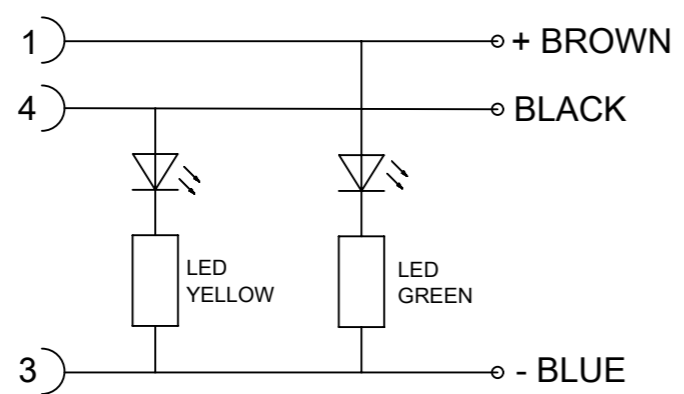
CONTACT POSITION FRONT VIEW:



PIN	WIRE
1	BROWN
2	-
3	BLUE
4	BLACK
5	-

CODING REQUIRED TO IEC 61076-2-101

PNP WIRING



BILL OF MATERIALS

ITEM	QTY.	DESCRIPTION	MATERIAL	FINISH
8	1	PCB PNP	---	---
7	1	LABEL YELLOW	VINYL	---
6	-	CABLE	SEE SHEET 2	---
5	-	OVERMOULDING TRANSPARENT	TPU	---
4	1	COUPLING NUT FEMALE	BRASS	NICKEL
3	1	INSERT FEMALE BLACK	PUR	---
2	1	ORING RED	FPM	---
1	3	CONTACT M12 FEMALE	BRASS	SELECTIVE GOLD OVER NICKEL

THIS DRAWING CONTAINS INFORMATION THAT IS PROPRIETARY TO MOLEX ELECTRONIC TECHNOLOGIES, LLC AND SHOULD NOT BE USED WITHOUT WRITTEN PERMISSION

FUNCTIONAL SYMBOLS	THIS DRAWING DIMENSION UNITS	SCALE	CURRENT REV DESC:		
$\nabla_A = 0$	mm	2:1	EC NO: 639928		
$\nabla_E = 0$	GENERAL TOLERANCES (UNLESS SPECIFIED)		DRWN: ASZELAG 2020/06/19		
$\nabla_F = 0$	ANGULAR TOL ± 1.0°		CHK'D: DSTACHOWIAK 2020/06/22		
DIVISIONAL SYMBOLS	4 PLACES ±		APPR: DSTACHOWIAK 2020/06/22		
	3 PLACES ±		INITIAL REVISION:		
	2 PLACES ± 0.05		DRWN: APAWLAK01 2016/04/22		
	1 PLACE ± 0.1		APPR: MIWASIECZKO 2016/05/20		
	0 PLACES ± 0.2		DOCUMENT NUMBER		
DRAFT WHERE APPLICABLE MUST REMAIN WITHIN DIMENSIONS			THIRD ANGLE PROJECTION		DRAWING
			SERIES		MATERIAL NUMBER
			A3-SIZE		120067
			CUSTOMER		GENERAL MARKET
			SHEET NUMBER		1 OF 2

**molex**

CSE M12 PNP 3P AC FE RA WSOR XM SE BK

PRODUCT CUSTOMER DRAWING

DOCUMENT NUMBER: 1200678450

DOC TYPE: PSD

DOC PART: 000

REVISION: A2

ENGINEERING NO. - NUMERICAL CODE (Available parts see PART LIST table. Others on request).

8 0 3 0 P 1 B 3 0 X X X X

80 = M12x1  
Single ended

Poles:  
3 = 3 Poles

Heads style:  
0P1 = Plug Female 90°  
Angled PNP LED

Cable:  
B30 = 0.34mm<sup>2</sup> TPU Black

Units:  
M = Meter

Length  
Examples:  
005 = 0.5 m  
010 = 1 m  
020 = 2 m  
050 = 5 m  
100 = 10 m  
150 = 15 m  
200 = 20 m

CABLE TYPE	NO. OF WIRES	CROSS SECTION	CABLE JACKET	UL	CSA	STATIC: TEMP. / BENDING RADIUS	DYNAMIC: TEMP. / BENDING RADIUS	DRAG CHAIN	SHIELD
B30	3	0.34mm <sup>2</sup>	TPU BLACK	UL STYLE 21215	YES	-40°C to +90°C, 5xD	-25°C to +80°C, 7.5xD	-	-

CABLE LENGTH TOLERANCES		
LENGTH	TOLERANCE	
shorter 1m	+40 mm	-0 mm
1m-5m	+60 mm	-0 mm
5m-10m	+80 mm	-0 mm
10m-20m	+140 mm	-0 mm
20m-30m	+160 mm	-0 mm
longer 30m	+1%	-0 mm

PART LIST

MOLEX PN	ENGINEERING PN	CABLE LENGTH IN METER
1200678450	8030P1B30M010	1m
1200678451	8030P1B30M020	2m
1200678452	8030P1B30M030	3m
1200678432	8030P1B30M050	5m
1200678453	8030P1B30M100	10m
1200678537	8030P1B30M150	15m

FUNCTIONAL SYMBOLS	THIS DRAWING CONTAINS INFORMATION THAT IS PROPRIETARY TO MOLEX ELECTRONIC TECHNOLOGIES, LLC AND SHOULD NOT BE USED WITHOUT WRITTEN PERMISSION		CURRENT REV DESC:		<b>molex</b>
	$\nabla_A = 0$ $\nabla_B = 0$ $\nabla_C = 0$	DIMENSION UNITS: <b>mm</b> SCALE: <b>1:1</b>	EC NO: 639928 DRWN: ASZELAG 2020/06/19 CHK'D: DSTACHOWIAK 2020/06/22 APPR: DSTACHOWIAK 2020/06/22		
DIVISIONAL SYMBOLS	GENERAL TOLERANCES (UNLESS SPECIFIED)		INITIAL REVISION:		DOCUMENT NUMBER
	ANGULAR TOL $\pm 1.0^\circ$		DRWN: APAWLAK01 2016/04/22		
	4 PLACES $\pm$		APPR: MIWASIECZKO 2016/05/20		DOC TYPE
	3 PLACES $\pm$				DOC PART
2 PLACES $\pm 0.05$				REVISION	A2
1 PLACE $\pm 0.1$					
0 PLACES $\pm 0.2$					
DRAFT WHERE APPLICABLE MUST REMAIN WITHIN DIMENSIONS		THIRD ANGLE PROJECTION	DRAWING	SERIES	MATERIAL NUMBER
			A3-SIZE	120067	SEE PART LIST
					CUSTOMER
					GENERAL MARKET
					SHEET NUMBER
					2 OF 2