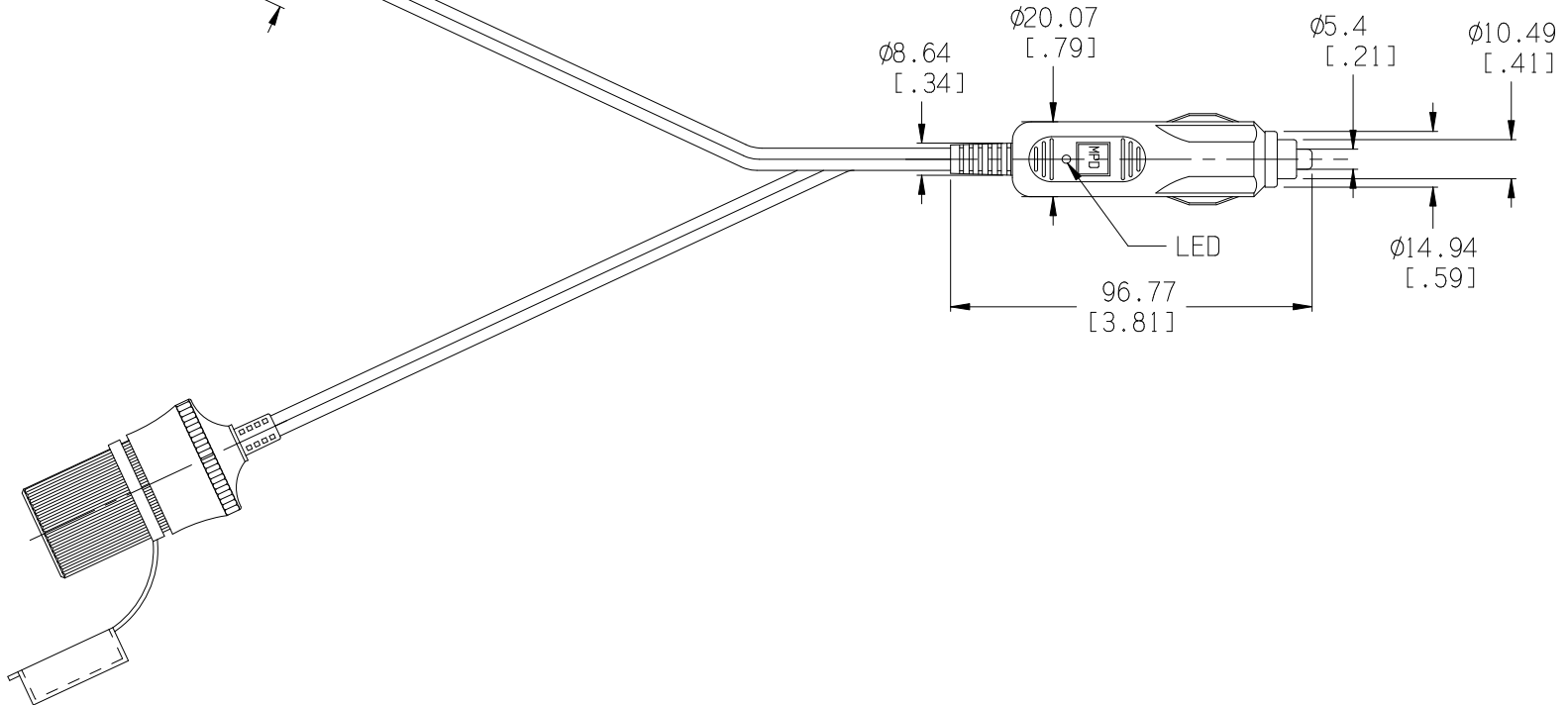
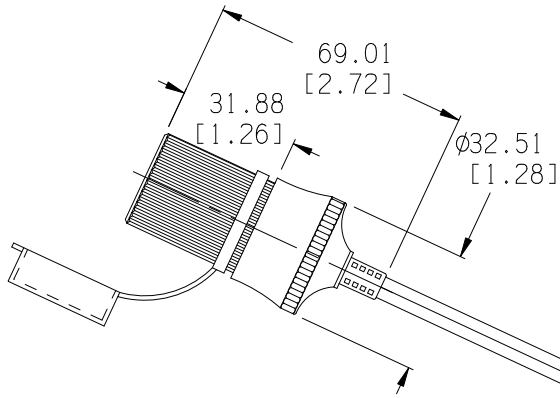


Date	SYM	REVISION RECORD	AUTH	DR.	CK.
7/29/06	A	Added "ROHS COMPLIANT"	T.B.	B.S.	
08/28/14	B	UPDATED TO ROHS 2 COMPLIANT	T.B.	B.S.	



ROHS 2 COMPLIANT

BILL OF MATERIAL

PART #	QTY.	DESCRIPTION
APP-001	1	CIGARETTE PLUG FOR 21 OR 22.2mm DIA. SOCKETS
ZA2010	2	PLASTIC CIGARETTE SOCKET
FUSE	1	3AG (6.35 x 30mm), 10 AMP.
CORD	2	SPT-1, 18 AWG, 105°C, UL-VW-1
AS-210B	2	PLASTIC COVER, PVC

Tolerance (Inches)	Decimal
	±.5 (.020)
	Fractional
	± .8 (.030)
	Angular
	± 3°



Memory Protection Devices, Inc
200 Broad Hollow Road, Farmingdale, New York 11735

Scale	Drawn By B.S.
Approved By T.B.	
Title DUAL SOCKET ASSEMBLY, 10 AMP. FUSE, RED LED	

Date 08/28/14	Drawing Number ZA5072
------------------	--------------------------