

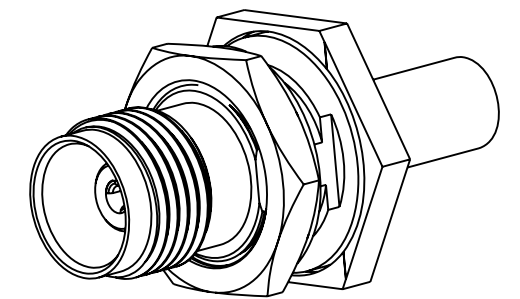
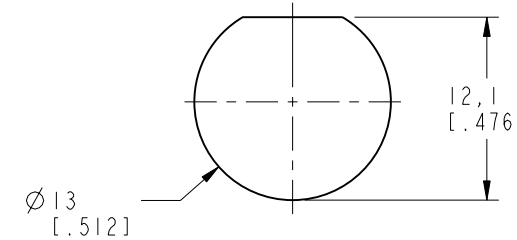
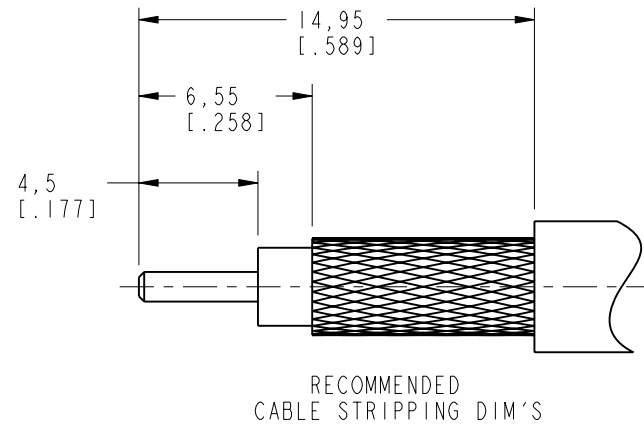
NOTES:

1. MATERIALS AND FINISHES:
  - BODY, FERRULE, HEX NUT, & LOCKWASHER - BRASS, NICKEL PLATING
  - CONTACT - BeCu, GOLD PLATING
  - INSULATOR - PTFE
  - BULLET CONTACT - BRASS, GOLD PLATING
2. ELECTRICAL:
  - A. IMPEDANCE: 50 OHM
  - B. FREQUENCY RANGE: DC - 6 GHz
  - C. VSWR(RETURN LOSS): 1.1 (26.444 dB), MAX.
  - D. DIELECTRIC WITHSTANDING VOLTAGE: 1000 VRMS, MIN.
3. MECHANICAL:
  - A. DURABILITY: 500 CYCLES MIN.
  - B. TEMPERATURE RANGE: -65° C TO +165° C
4. PACKAGING:
  - A. QUANTITY: SINGLE PACK
  - B. MARKING: BAG TO BE MARKED "AMPHENOL RF, 31-6824, AND DATE CODE"
5. RECOMMENDED CABLE ASSEMBLY INSTRUCTIONS:
  - A. TRIM CABLE AS SHOWN.
  - B. SLIDE FERRULE AND INSULATOR DISC ONTO CABLE.
  - C. SOLDER CABLE CENTER CONDUCTOR TO BULLET CONTACT.
  - D. INSERT CABLE WITH FOIL ENTERING CONNECTOR AND BRAID OVER KNURL.
  - E. CRIMP FERRULE OVER BRAID WITH 0.213" HEX DIE.

THIRD ANGLE PROJ.

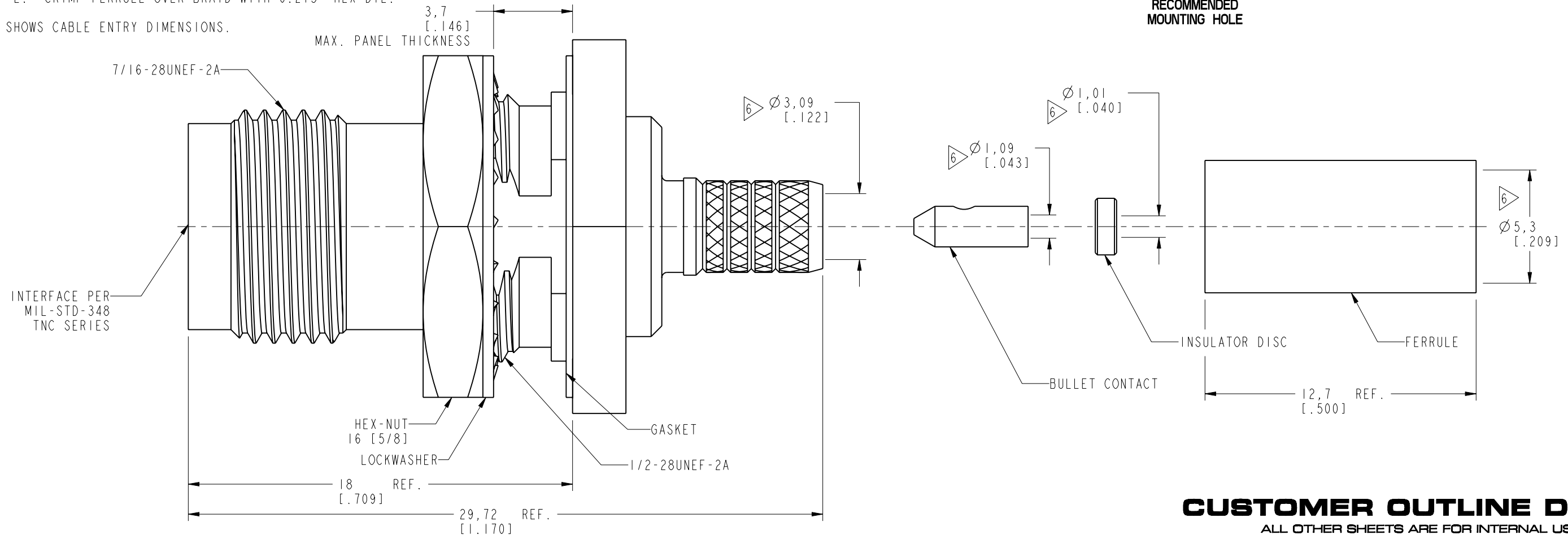
REVISIONS

REV	DESCRIPTION	DATE	ECO	APPR
A	RELEASE TO MFG.	25-May-18	08141	KCE



SCALE 2.000

6 SHOWS CABLE ENTRY DIMENSIONS.



**CUSTOMER OUTLINE DRAWING**

ALL OTHER SHEETS ARE FOR INTERNAL USE ONLY

<p>UNLESS OTHERWISE SPECIFIED, DIMENSIONS ARE IN METRIC AND TOLERANCES ARE:                  &lt;0.5mm ±0.05mm    0.5 - 6mm ±0.1mm    6 - 30mm ±0.2mm    30 - 120mm ±0.3mm    ANGLES ±1°</p> <p>NOTICE - These drawings, specifications, or other data (1) are, and remain the property of Amphenol corp. (2) must be returned upon request; and (3) are confidential and not to be disclosed to any person other than those to whom they are given by Amphenol Corp. the furnishing of these drawings, specifications, or other data by Amphenol Corp., or to any other person to anyone for any purpose is not to be regarded by implication or otherwise in any manner licensing, granting rights to permitting such holder or any other person to manufacture, use or sell any product, process or design, patented or otherwise, that may in any way be related to or disclosed by said drawings, specifications, or other data.</p>	MATERIAL	DRAWN STAR	DATE 29-May-18	<p>TITLE TNC STR BLKHD JACK FOR LMR-195-UF CABLE</p>	<p>Amphenol RF www.amphenolrf.com</p>
	REFERENCE EAR # 8049	ENGINEER SUNDE	DATE 29-May-18		
CONFIGURATION LEVEL: In Work	APPROVED S. HSIEH	DATE 29-May-18	SCALE: 5.0:1.0	SHEET 2 OF 2	ITEM NO. 31-6824
FINISH		CAD FILE	DWG SIZE B	REV A	PART NO. 31-6824