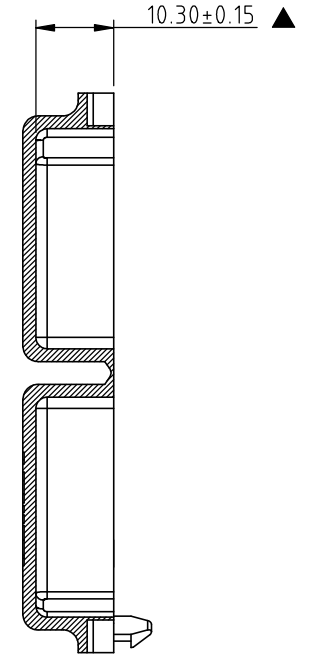
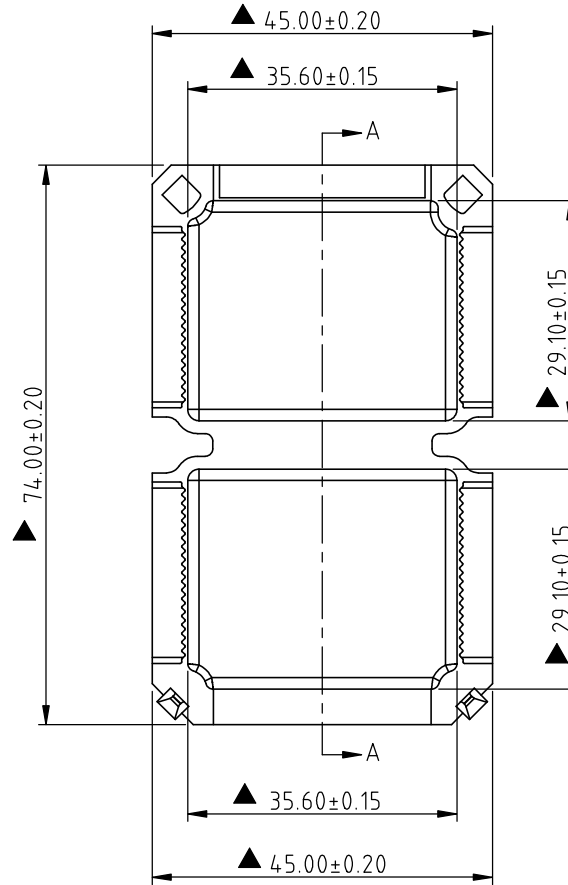
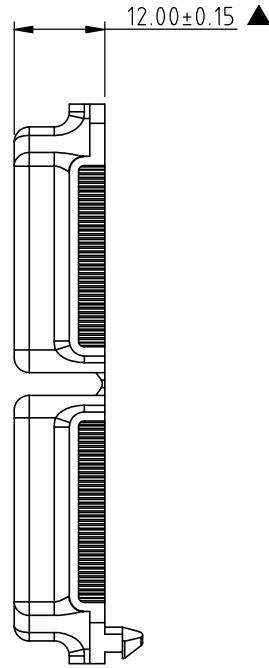
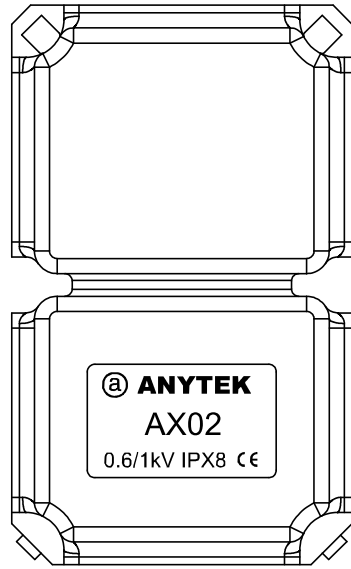


RoHS Compliant

REV	SIGN	DATE	DESCRIPTION	APPROVER
A0		2021.01.07	Initial Release	LENA

THIS IS CAD DRAWING, DO NOT REVISE MANUALLY!!!



Section A-A

Part No. AX0200x00000G

Medium Size ————
 ————
 ———— RoHS compliant
 (lead<4%)
 In copper Alloy

- Color:
- 0 Black (RAL9005)
 - 2 Red (RAL3001/D)
 - 3 Orange(RAL2011/P)
 - 4 Yellow(RAL1018/A)
 - 5 Green(RAL6018/T)
 - 6 Blue (RAL5015/A)
 - 8 Grey(RAL7004)
 - 9 White(RAL1102)
 - C Multiple Colors

Notes:
 1.Rated Voltage : IEC 50393 0.6/1kV
 2.Operation Temperature : -40℃~+50℃.

Amphenol ANYTEK				CUSTOMER COPY	
ALL RIGHTS RESERVED. REPRODUCTION OR ISSUE TO THIRD PARTIES IN ANY FORM WHATSOEVER IS NOT PERMITTED WITHOUT WRITTEN AUTHORITY FROM THE PROPRIETOR. PROPERTY OF ANYTEK TECHNOLOGY CO., LTD					
TITLE	AX02 Series ,waterproof box,medium size				
PART NO.	AX0200x00000G		DWG NO.	8AX0002	
APPROVED	CHECKED	DESIGNED	DRAWN	CUST NO.	Tolerance
		LENA 2021.01.07	LENA 2021.01.07		X. ±0.50
					X.X ±0.30
					X.XX ±0.10
SHEET: 01/01				REV.: A0	X° ±1°