

# FSUSB63 — 3:1 High-Speed USB 2.0 Switch / Multiplexer

## Features

Switch Type	3:1 USB Switch
USB	USB 2.0 High-Speed & Full-Speed Compliant
Break-Before-Make Time	126µs
R <sub>ON</sub>	6Ω Typical
C <sub>ON</sub>	6pF Typical
Bandwidth	830MHz
V <sub>CC</sub>	2.7 to 4.4V
V <sub>CNTRL</sub>	0 to V <sub>CC</sub>
Operating Temperature	-40°C to 85°C
I <sub>CCSLP</sub>	<1µA
I <sub>CCACT</sub>	7.5µA Typical
Package	12- Lead UMLP 1.80 x 1.80 x 0.55mm, 0.40mm pitch
Top Mark	KG
Ordering Information	FSUSB63UMX

## Applications

- Cell Phone, Digital Camera, Notebook
- LCD Monitor, TV, and Set-Top Box
- Netbook, Mobile Internet Device (MID)

## Description

The FSUSB63 is a bi-directional, low-power, High-Speed (HS) USB 2.0 3:1 Multiplexer (MUX). It is optimized for switching among three high-speed (480Mbps) sources or any combination of high-speed and full-speed (12Mbps) USB sources, such as an application processor, to one USB 2.0 connector.

The FSUSB63 has a break-before-make time to force re-enumeration by the host when switching between different HS USB 2.0 controllers and thus requires minimal software changes.

The FSUSB63 is compliant with the requirements of USB 2.0 and features extremely low on capacitance (C<sub>ON</sub>). The wide bandwidth exceeds the requirement to pass the third harmonic, resulting in signals with minimum edge and phase distortion. Superior channel-to-channel crosstalk also minimizes interference.

## Related Resources

- For samples and questions, please contact: [Analog.Switch@fairchildsemi.com](mailto:Analog.Switch@fairchildsemi.com).
- FSUSB63 Demonstration Board

## Typical Application

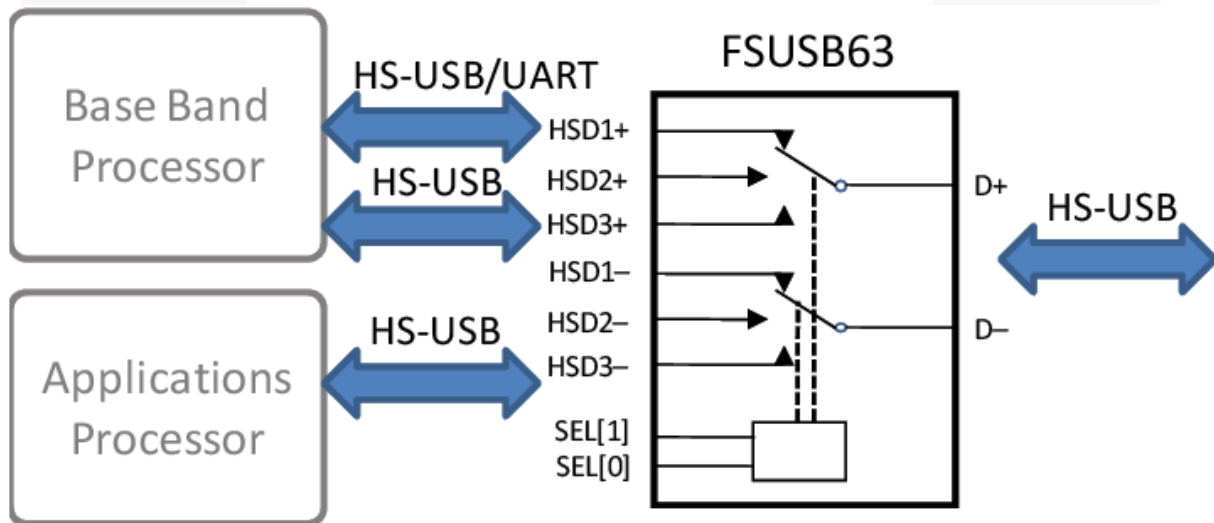


Figure 1. Analog Symbol

## Pin Configuration

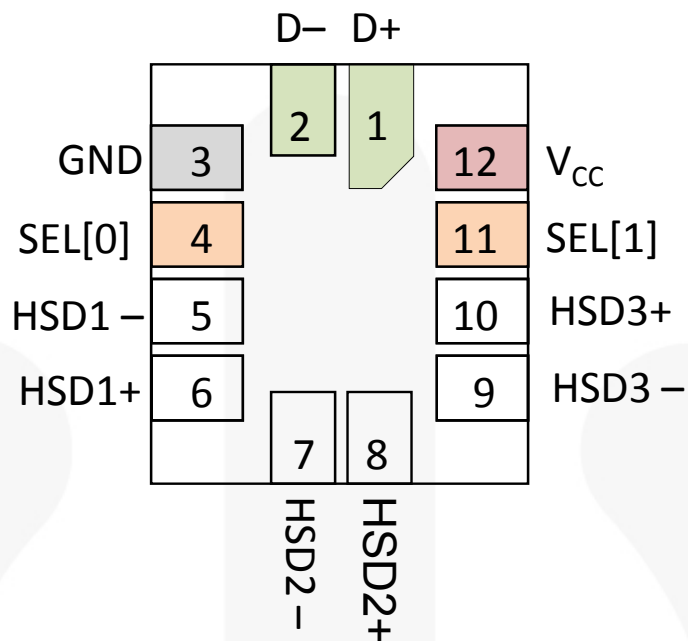


Figure 2. Pin Assignments (Top Through View)

## Pin Descriptions

Pin #	Name	Description
1	D+	USB 2.0 High Speed or Full Speed Data Bus D+
2	D-	USB 2.0 High Speed or Full Speed Data Bus D-
3	GND	Ground
4	SEL[0]	Path Selection Control Inputs ( <i>see functional table below</i> )
5	HSD1-	Multiplexed First Source Path for D-
6	HSD1+	Multiplexed First Source Path for D+
7	HSD2-	Multiplexed Second Source Path for D-
8	HSD2+	Multiplexed Second Source Path for D+
9	HSD3-	Multiplexed Third Source Path for D-
10	HSD3+	Multiplexed Third Source Path for D+
11	SEL[1]	Path Selection Control Inputs ( <i>see functional table below</i> )
12	V <sub>CC</sub>	Supply Voltage

## Functional Table

Mode	SEL[1]	SEL[0]	Function
Sleep Mode	0	0	D+, D- Switch Paths Open
USB Port 1	0	1	D+=HSD1+, D-=HSD1-
USB Port 2	1	0	D+=HSD2+, D-=HSD2-
USB Port 3	1	1	D+=HSD3+, D-=HSD3-

## Eye Compliance

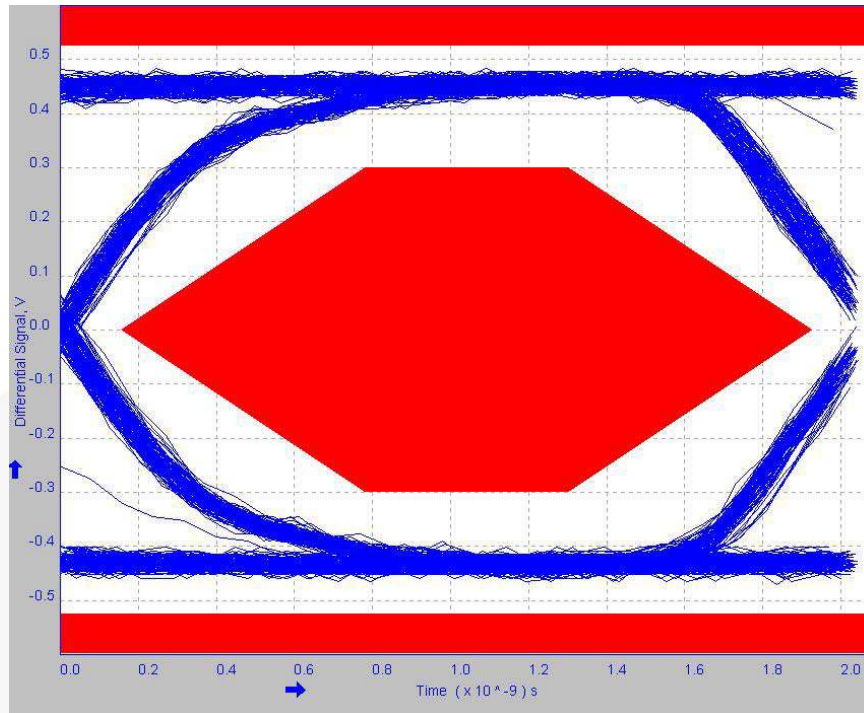


Figure 3. USB 2.0 HS-USB Eye Compliance Pass Through (without Switch)

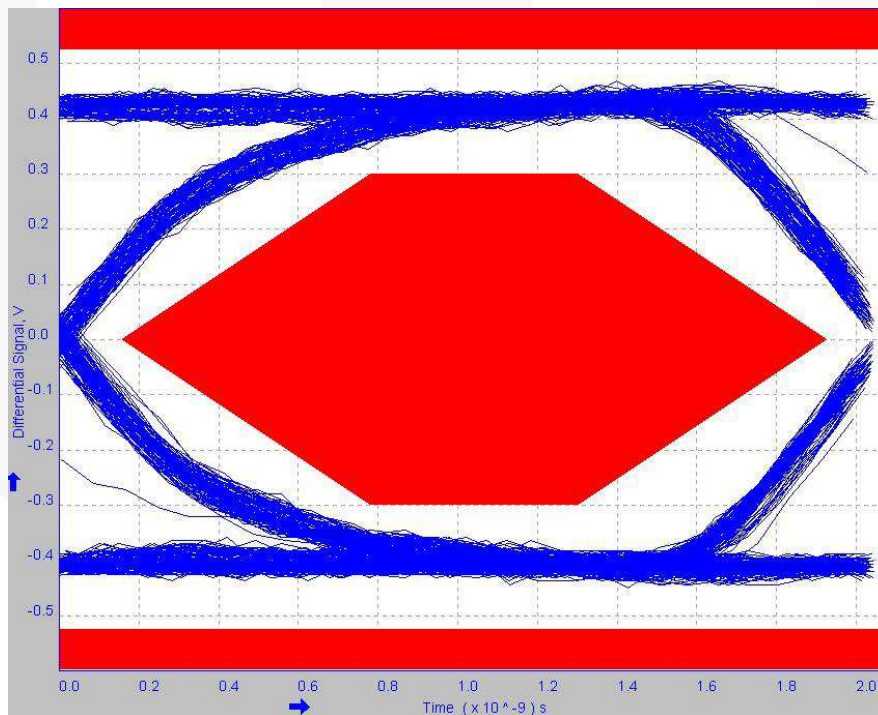


Figure 4. USB 2.0 HS-USB Eye Compliance with Switch

### Notes:

1. Figure 3 indicates the HS-USB eye compliance of the source across a characterization board prior to the implementation of the switch.
2. Figure 4 shows the total impact the switch has on HS-USB eye compliance when compared to Figure 3

## Absolute Maximum Ratings

Stresses exceeding the absolute maximum ratings may damage the device. The device may not function or be operable above the recommended operating conditions and stressing the parts to these levels is not recommended. In addition, extended exposure to stresses above the recommended operating conditions may affect device reliability. The absolute maximum ratings are stress ratings only.

Symbol	Parameter	Min.	Max.	Unit	
V <sub>CC</sub>	Supply Voltage	-0.50	5.25	V	
V <sub>CNTRL</sub>	DC Input Voltage (SEL[1:0]) <sup>(3)</sup>	-0.5	V <sub>CC</sub>	V	
V <sub>SW</sub>	DC Switch I/O Voltage <sup>(3)</sup>	-0.50	5.25	V	
I <sub>IK</sub>	DC Input Diode Current	-50		mA	
I <sub>OUT</sub>	DC Switch Current		50	mA	
T <sub>STG</sub>	Storage Temperature	-65	+150	°C	
MSL	Moisture Sensitivity Level (JEDEC J-STD-020A)		1	Level	
ESD	IEC61000-4-2 System on USB Connector Pins D+ & D-	Air Gap	15.0		kV
		Contact	8.0		
	Human Body Model, JEDEC: JESD22-A114	Power to GND	16.0		
		I/O to GND	5.0		
		All Pins	5.0		
Charged Device Model, JEDEC: JESD22-C101		1.5			

### Note:

3. The input and output negative ratings may be exceeded if the input and output diode current ratings are observed.

## Recommended Operating Conditions

The Recommended Operating Conditions table defines the conditions for actual device operation. Recommended operating conditions are specified to ensure optimal performance to the datasheet specifications. Fairchild does not recommend exceeding them or designing to Absolute Maximum Ratings.

Symbol	Parameter	Min.	Max.	Unit
V <sub>CC</sub>	Supply Voltage	2.7	4.4	V
V <sub>CNTRL</sub> <sup>(4)</sup>	Control Input Voltage (SEL[1:0])	0	V <sub>CC</sub>	V
V <sub>SW</sub>	Switch I/O Voltage	-0.5	4.3	V
T <sub>A</sub>	Operating Temperature	-40	+85	°C

### Note:

4. The control input must be held HIGH or LOW and it must not float.

## DC Electrical Characteristics

All typical values are for  $V_{CC}=3.3V$  at  $T_A=25^{\circ}C$  unless otherwise specified.

Symbol	Parameter	Conditions	$V_{CC}$ (V)	$T_A=-40^{\circ}C$ to $+85^{\circ}C$			Units
				Min.	Typ.	Max.	
$V_{IK}$	Clamp Diode Voltage	$I_{IN}=-18mA$	2.7			-1.2	V
$V_{IH}$	Input Voltage High	SEL[1], SEL[0] Inputs	2.7 to 4.3	1.0			V
$V_{IL}$	Input Voltage Low	SEL[1], SEL[0] Inputs	2.7 to 4.3			0.35	V
$I_{IN}$	Control Input Leakage	All Combinations of SEL[1] & SEL[0] in the Truth Table (LOW=0V & HIGH= $V_{CC}$ )	4.3			1	$\mu A$
$I_{OZ}$	Off-State Leakage	$0 \leq D_n, HSD1_n, HSD2_n, HSD3_n \leq 3.6V$	4.3	-2		2	$\mu A$
$I_{OFF}$	Power-Off Leakage Current (All I/O Ports)	$V_{SW}=0V$ to $4.3V$ , $V_{CC}=0V$ , Figure 7	0	-2		2	$\mu A$
$R_{ON}^{(5)}$	HS Switch On Resistance	$V_{SW}=0.4V$ , $I_{ON}=-8mA$ , Figure 6	3.0		6.0	7.8	$\Omega$
$\Delta R_{ON}$	HS Delta $R_{ON}^{(6)}$	$V_{SW}=0.4V$ , $I_{ON}=-8mA$	3.0		0.50		$\Omega$
$I_{CCSLP}$	Sleep Mode Supply Current	SEL[1]=SEL[0]=0	3.6			1	$\mu A$
$I_{CCACT}$	Active Mode Supply Current	$V_{CNTRL}=0$ or $V_{CC}$ , $I_{OUT}=0$	2.7		7.5	15.0	$\mu A$
			3.6		8.5	16.0	$\mu A$
$I_{CCT}$	Increase in $I_{CC}$ Current per Control Input and $V_{CC}$	$V_{CNTRL}=1.8V$	3.6		1.5	4.0	$\mu A$
		$V_{CNTRL}=1.2V$	3.6		3.0	5.0	$\mu A$

### Notes:

- Measured by the voltage drop between  $HSD_n$  and  $D_n$  pins at the indicated current through the switch. On resistance is determined by the lower of the voltage on the two ( $HSD_n$  or  $D_n$  ports).
- Guaranteed by characterization.

## AC Electrical Characteristics

All typical values are for  $V_{CC}=3.3V$  at  $T_A=25^{\circ}C$  unless otherwise specified.

Symbol	Parameter	Conditions	$V_{CC}$ (V)	$T_A=-40^{\circ}C$ to $+85^{\circ}C$			Units
				Min.	Typ.	Max.	
$t_{ON}$	Turn-On Time when Switching from One USB Path (or Disabled i.e. SEL=00) to Another USB Path	$R_L=50\Omega$ , $C_L=35pF$ $V_{SW}=0.8V$ Figure 8, Figure 9	3.0 to 3.6	126		400	$\mu s$
$t_{OFF}$	Turn-Off Time SEL $\neq$ 00 (Any of the Three USB Paths Active) to SEL=00 (Disabled)	$R_L=50\Omega$ , $C_L=35pF$ $V_{SW}=0.8V$ Figure 8, Figure 9	3.0 to 3.6			45	ns
$t_{PD}$	Propagation Delay <sup>(7)</sup>	$C_L=5pF$ , $R_L=50\Omega$ Figure 8, Figure 10	3.3		0.25		ns
$t_{BBM}$	Break-Before-Make Time	$R_L=50\Omega$ , $C_L=35pF$ $V_{SW1}=V_{SW2}=0.8V$ , Figure 12	3.0 to 3.6	126		400	$\mu s$
$O_{IRR}$	Off Isolation <sup>(7)</sup>	$R_L=50\Omega$ , $f=240MHz$ Figure 14	3.0 to 3.6		-42		dB
Xtalk	Non-Adjacent Channel Crosstalk <sup>(7)</sup>	$R_L=50\Omega$ , $f=240MHz$ Figure 15	3.0 to 3.6		-33		dB
BW	-3db Bandwidth <sup>(7)</sup>	$R_L=50\Omega$ , $C_L=0pF$ Figure 13	3.0 to 3.6			830	MHz
		$R_L=50\Omega$ , $C_L=5pF$ Figure 13	3.0 to 3.6			510	MHz

### Note:

- Guaranteed by characterization.

## USB High-Speed Related AC Electrical Characteristics

Symbol	Parameter	Conditions	Vcc (V)	TA=- 40°C to +85°C			Units
				Min.	Typ.	Max.	
t <sub>SK(P)</sub>	Pulse Skew <sup>(8)</sup>	V <sub>SW</sub> =0.2V <sub>diffPP</sub> , Figure 11, C <sub>L</sub> =5pF	3.0 to 3.6		10		ps
t <sub>SK(I)</sub>	Skew Between Differential Signals within a Pair <sup>(8)</sup>	V <sub>SW</sub> =0.2V <sub>diffPP</sub> , Figure 11, C <sub>L</sub> =5pF	3.0 to 3.6		10		ps

## Capacitance

Symbol	Parameter	Conditions	TA=- 40°C to +85°C			Units
			Min.	Typ.	Max.	
C <sub>IN</sub>	SEL[1:0] Input Capacitance <sup>(8)</sup>	V <sub>CC</sub> =0V		3		pF
C <sub>ON</sub>	D+/D- On Capacitance <sup>(8)</sup>	V <sub>CC</sub> =3.3V, Any of the Three Switch Paths Enabled, f=1MHz, Figure 17		6		
		V <sub>CC</sub> =3.3V, Any of the Three Switch Paths Enabled, f=240MHz <sup>(9)</sup>		5		
C <sub>OFF</sub>	HSD1 <sub>n</sub> , HSD2 <sub>n</sub> , HSD3 <sub>n</sub> Off Capacitance <sup>(8)</sup>	V <sub>CC</sub> =0V or (V <sub>CC</sub> =3.3V and SEL[1]=SEL[0]=0V) Figure 16		2		

### Notes:

8. Guaranteed by characterization.
9. Effective capacitance measured on a network analyzer.

### Reference Schematic

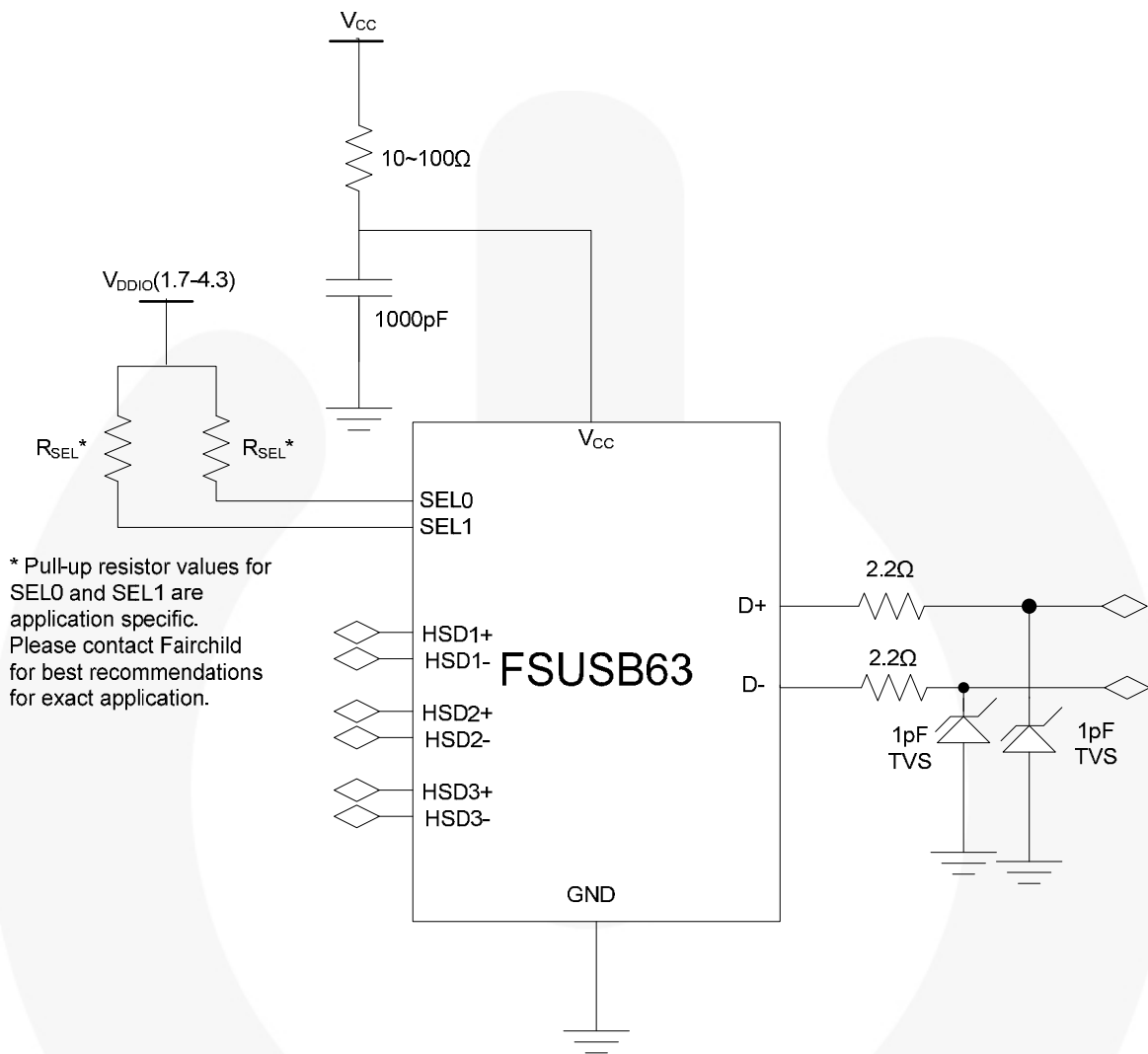
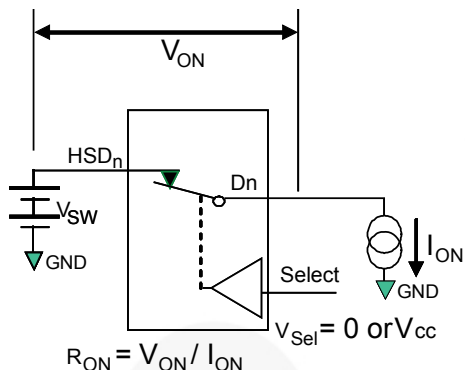


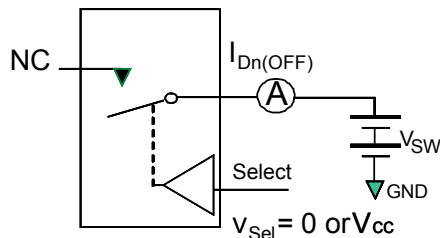
Figure 5. Reference Schematic



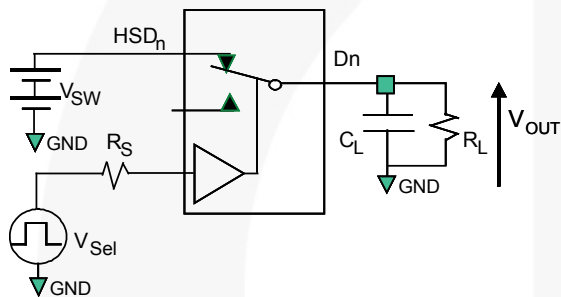
### Test Diagrams



**Figure 6. On Resistance**

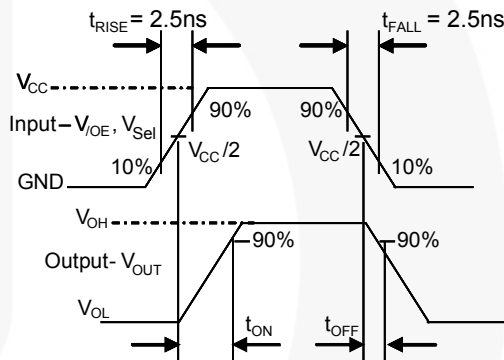


**Figure 7. Off Leakage**

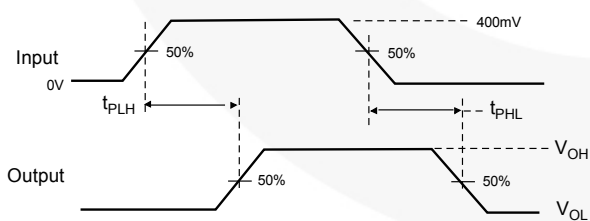


$R_L$ ,  $R_S$ , and  $C_L$  are functions of the application environment (see AC Tables for specific values)  
 $C_L$  includes test fixture and stray capacitance.

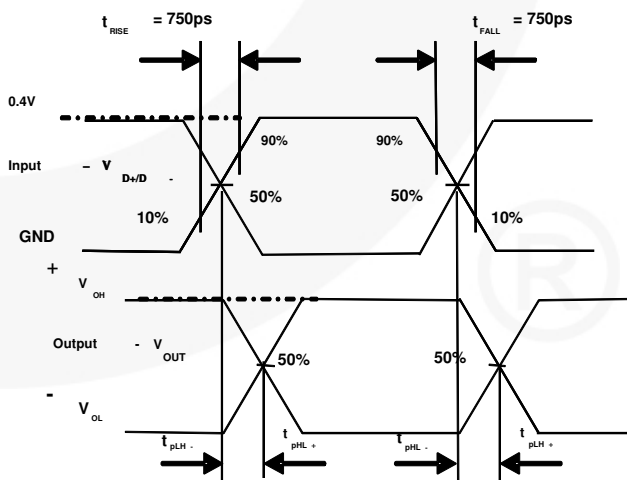
**Figure 8. AC Test Circuit Load**



**Figure 9. Turn-On / Turn-Off Waveforms**



**Figure 10. Propagation Delay ( $t_{rF}$  – 500ps)**



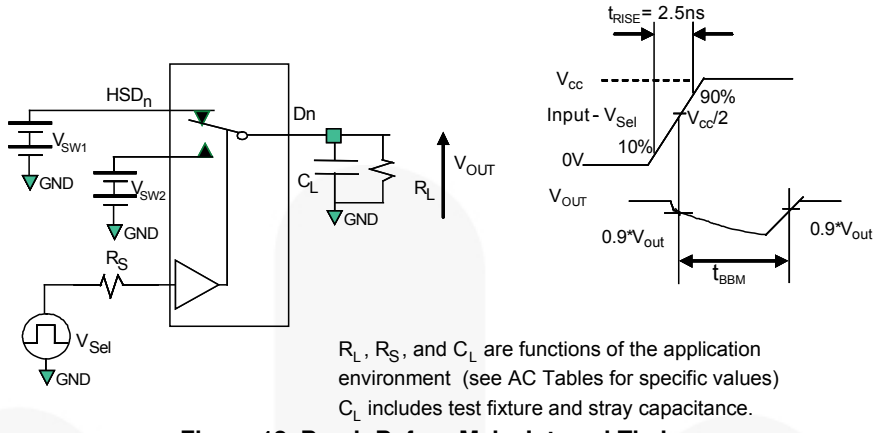
**Figure 11. Skew Test Waveforms**

$$t_{SK(P)} = |t_{PLH-} - t_{PHL-}| \text{ or } |t_{PLH+} - t_{PHL+}|$$

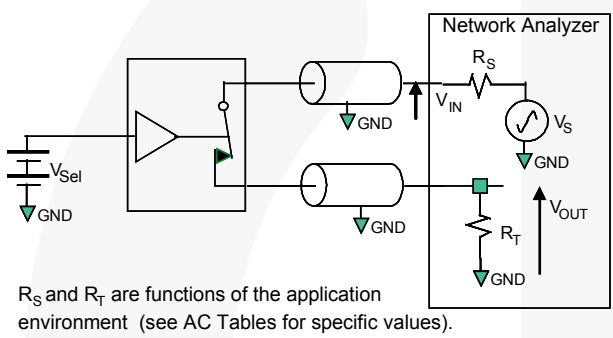
$$t_{SK(I)} = |t_{PLH-} - t_{PHL+}| \text{ or } |t_{PLH+} - t_{PHL-}|$$



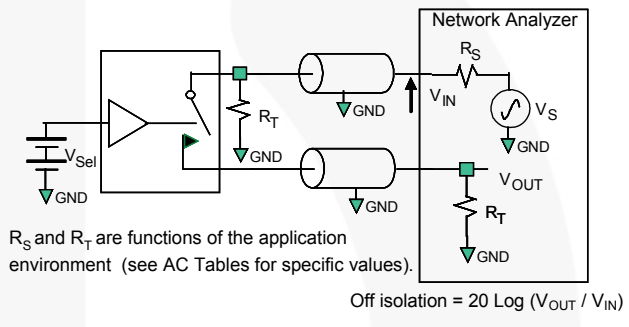
**Test Diagrams (Continued)**



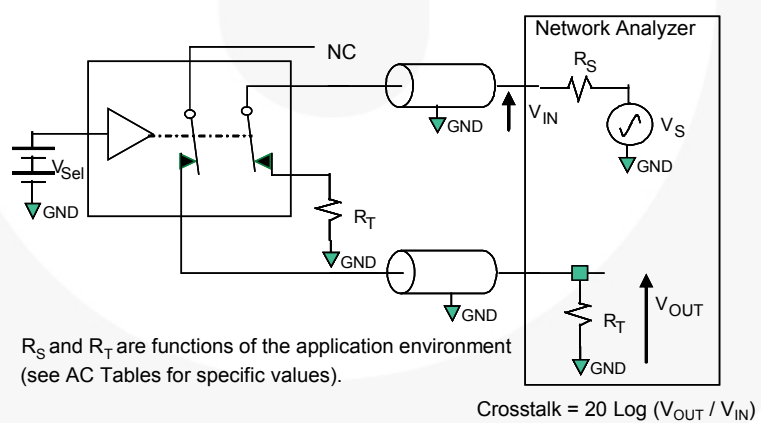
**Figure 12. Break-Before-Make Interval Timing**



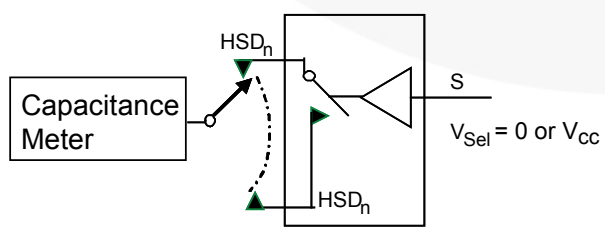
**Figure 13. Bandwidth**



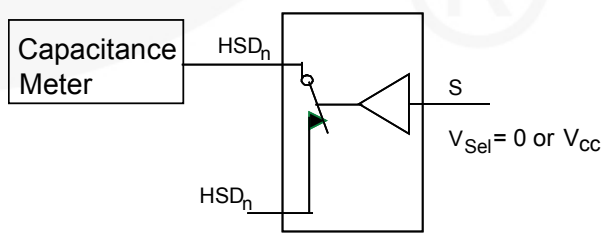
**Figure 14. Channel Off Isolation**



**Figure 15. Non-Adjacent Channel-to-Channel Crosstalk**

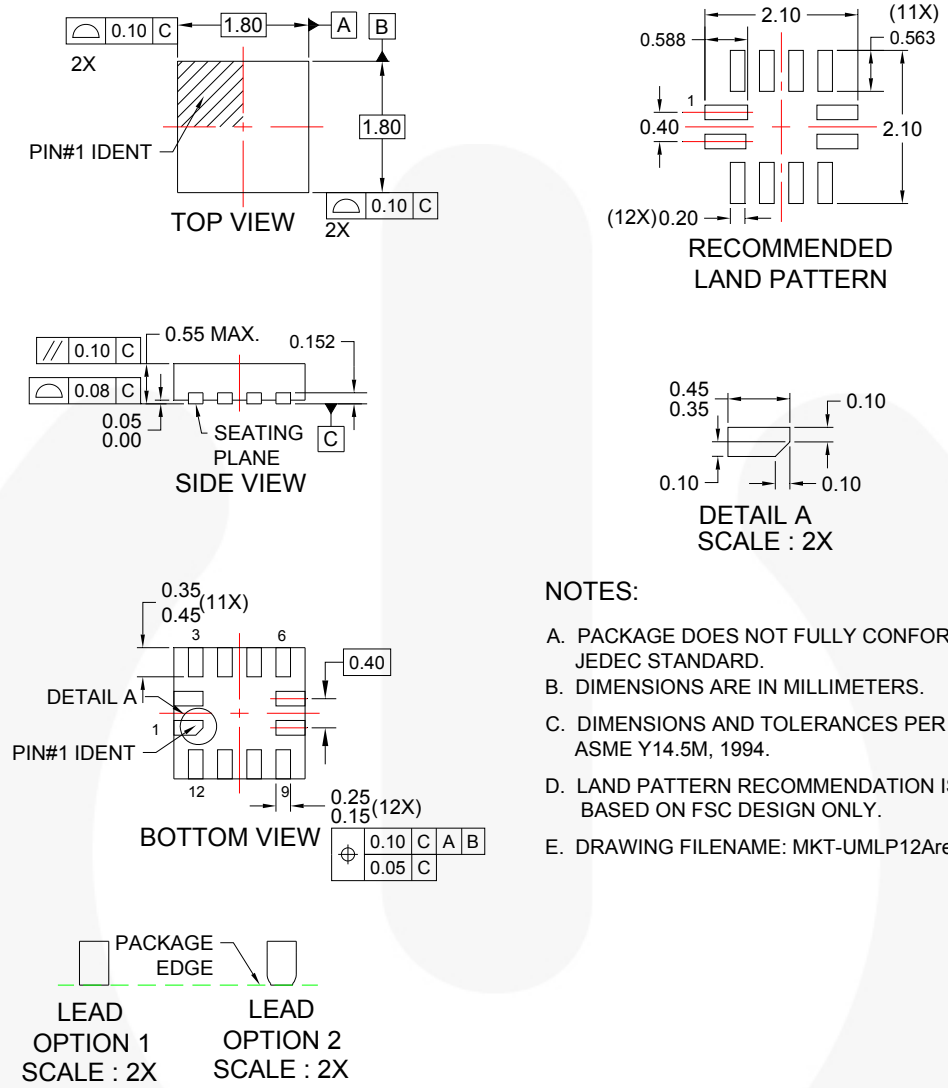


**Figure 16. Channel Off Capacitance**



**Figure 17. Channel On Capacitance**

### Physical Dimensions



- NOTES:**
- A. PACKAGE DOES NOT FULLY CONFORM TO JEDEC STANDARD.
  - B. DIMENSIONS ARE IN MILLIMETERS.
  - C. DIMENSIONS AND TOLERANCES PER ASME Y14.5M, 1994.
  - D. LAND PATTERN RECOMMENDATION IS BASED ON FSC DESIGN ONLY.
  - E. DRAWING FILENAME: MKT-UMLP12Arev4.

**Figure 18. 12-Lead, Ultrathin Molded Leadless Package (UMLP)**

### Ordering Information

Part Number	Top Mark	Operating Temperature Range	Package
FSUSB63UMX	KG	-40 to +85°C	12-Lead, Quad, Ultrathin Molded Leadless Package (UMLP), 1.8mm x 1.8mm x 0.55mm, 0.4mm pitch

Package drawings are provided as a service to customers considering Fairchild components. Drawings may change in any manner without notice. Please note the revision and/or date on the drawing and contact a Fairchild Semiconductor representative to verify or obtain the most recent revision. Package specifications do not expand the terms of Fairchild's worldwide terms and conditions, specifically the warranty therein, which covers Fairchild products.

Always visit Fairchild Semiconductor's online packaging area for the most recent package drawings:  
<http://www.fairchildsemi.com/packaging/>



**TRADEMARKS**

The following includes registered and unregistered trademarks and service marks, owned by Fairchild Semiconductor and/or its global subsidiaries, and is not intended to be an exhaustive list of all such trademarks.

- |  |  |  |   |
|--|--|--|---|
| 2Cool™   | F-PFS™   | PowerTrench®   | The Power Franchise®  |
| AccuPower™   | FRFET®   | PowerXS™   | the power franchise   |
| AX-CAP™*   | Global Power Resource™                         | Programmable Active Droop™   | TinyBoost™  |
| BitSiC™  | GreenBridge™                                   | QFET®  | TinyBuck™   |
| Build it Now™  | Green FPS™                                     | QS™  | TinyCalc™   |
| CorePLUS™  | Green FPS™ e-Series™                           | Quiet Series™  | TinyLogic®  |
| CorePOWER™   | Gmax™  | RapidConfigure™  | TINYOPTO™   |
| CROSSVOLT™   | GTO™   |  ™                | TinyPower™  |
| CTL™   | IntelliMAX™                                    | Saving our world, 1mW/W/kW at a time™  | TinyPWM™  |
| Current Transfer Logic™  | ISOPLANAR™                                     | SignalWise™  | TinyWire™   |
| DEUXPEED®  | Making Small Speakers Sound Louder and Better™ | SmartMax™  | Tran SiC™   |
| Dual Cool™   | MegaBuck™                                      | SMART START™   | TriFault Detect™  |
| EcoSPARK®  | MICROCOUPLER™                                  | Solutions for Your Success™  | TRUECURRENT®*   |
| EfficientMax™  | MicroFET™                                      | SPM®   | µSerDes™  |
| ESBC™  | MicroPak™                                      | STEALTH™   |  ™ |
|  Fairchild® | MicroPak2™                                     | SuperFET®  | UHC®  |
| Fairchild Semiconductor®   | MillerDrive™                                   | SuperSOT™-3  | Ultra FRFET™  |
| FACT Quiet Series™   | MotionMax™                                     | SuperSOT™-6  | UniFET™   |
| FACT®  | mWSaver™                                       | SuperSOT™-8  | VCX™  |
| FAST®  | OptoHiT™                                       | SupreMOS®  | VisualMax™  |
| FastvCore™   | OPTOLOGIC®                                     | SyncFET™   | VoltagePlus™  |
| FETBench™  | OPTOPLANAR®                                    | Sync-Lock™   | XS™   |
| FlashWriter®*  |  |  SYSTEM GENERAL®* |   |
| FPS™   |  |  |   |

\* Trademarks of System General Corporation, used under license by Fairchild Semiconductor.

**DISCLAIMER**

FAIRCHILD SEMICONDUCTOR RESERVES THE RIGHT TO MAKE CHANGES WITHOUT FURTHER NOTICE TO ANY PRODUCTS HEREIN TO IMPROVE RELIABILITY, FUNCTION, OR DESIGN. FAIRCHILD DOES NOT ASSUME ANY LIABILITY ARISING OUT OF THE APPLICATION OR USE OF ANY PRODUCT OR CIRCUIT DESCRIBED HEREIN; NEITHER DOES IT CONVEY ANY LICENSE UNDER ITS PATENT RIGHTS, NOR THE RIGHTS OF OTHERS. THESE SPECIFICATIONS DO NOT EXPAND THE TERMS OF FAIRCHILD'S WORLDWIDE TERMS AND CONDITIONS, SPECIFICALLY THE WARRANTY THEREIN, WHICH COVERS THESE PRODUCTS.

**LIFE SUPPORT POLICY**

FAIRCHILD'S PRODUCTS ARE NOT AUTHORIZED FOR USE AS CRITICAL COMPONENTS IN LIFE SUPPORT DEVICES OR SYSTEMS WITHOUT THE EXPRESS WRITTEN APPROVAL OF FAIRCHILD SEMICONDUCTOR CORPORATION.

As used herein:

1. Life support devices or systems are devices or systems which, (a) are intended for surgical implant into the body or (b) support or sustain life, and (c) whose failure to perform when properly used in accordance with instructions for use provided in the labeling, can be reasonably expected to result in a significant injury of the user.
2. A critical component in any component of a life support, device, or system whose failure to perform can be reasonably expected to cause the failure of the life support device or system, or to affect its safety or effectiveness.

**ANTI-COUNTERFEITING POLICY**

Fairchild Semiconductor Corporation's Anti-Counterfeiting Policy. Fairchild's Anti-Counterfeiting Policy is also stated on our external website, [www.fairchildsemi.com](http://www.fairchildsemi.com), under Sales Support.

Counterfeiting of semiconductor parts is a growing problem in the industry. All manufacturers of semiconductor products are experiencing counterfeiting of their parts. Customers who inadvertently purchase counterfeit parts experience many problems such as loss of brand reputation, substandard performance, failed applications, and increased cost of production and manufacturing delays. Fairchild is taking strong measures to protect ourselves and our customers from the proliferation of counterfeit parts. Fairchild strongly encourages customers to purchase Fairchild parts either directly from Fairchild or from Authorized Fairchild Distributors who are listed by country on our web page cited above. Products customers buy either from Fairchild directly or from Authorized Fairchild Distributors are genuine parts, have full traceability, meet Fairchild's quality standards for handling and storage and provide access to Fairchild's full range of up-to-date technical and product information. Fairchild and our Authorized Distributors will stand behind all warranties and will appropriately address any warranty issues that may arise. Fairchild will not provide any warranty coverage or other assistance for parts bought from Unauthorized Sources. Fairchild is committed to combat this global problem and encourage our customers to do their part in stopping this practice by buying direct or from authorized distributors.

**PRODUCT STATUS DEFINITIONS**

**Definition of Terms**

Datasheet Identification	Product Status	Definition
Advance Information	Formative / In Design	Datasheet contains the design specifications for product development. Specifications may change in any manner without notice.
Preliminary	First Production	Datasheet contains preliminary data; supplementary data will be published at a later date. Fairchild Semiconductor reserves the right to make changes at any time without notice to improve design.
No Identification Needed	Full Production	Datasheet contains final specifications. Fairchild Semiconductor reserves the right to make changes at any time without notice to improve the design.
Obsolete	Not In Production	Datasheet contains specifications on a product that is discontinued by Fairchild Semiconductor. The datasheet is for reference information only.

Rev. I62