

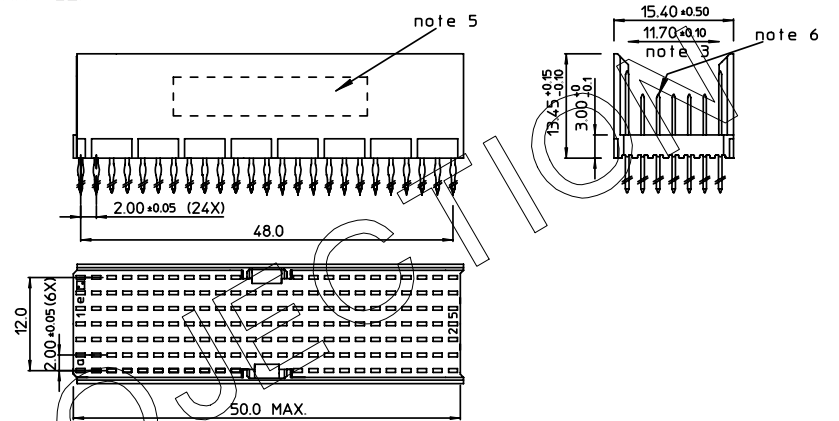
BS,C ,202788,281 C

GEN. ST.	01	02	03	04	05	06	07	08	0D	50	60	70	80	90	REV.	DATE	DESCRIPTION	BY	C'K'D'																			
INT. ST.	10	11	12	13	14	18	20	31	32	33	34	38	39	40	42	43	44	45	46	48	56	70	72	73	75	76	81	82	83	84	88	B	2003-11-17	105-0230	VIVEK	SKP		
																																		C	2004-08-12	106-0147	VIVEK	SKP

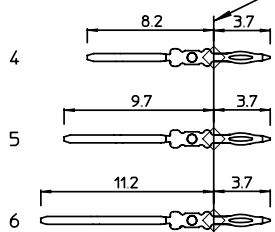
LOADING PATTERN MATING SIDE

f	6	6	6	6	6	6	6	6	6	6	6	6	6	6	6	6	6	6	6	6	6	6	6	6	6	6	6	6	6	6	6	6								
e	4	6	4	4	5	4	5	4	4	5	4	5	4	5	4	4	5	4	5	4	4	6	4	4	4	4	6	4	4	4	4	4	4	4	4					
d	4	6	4	4	6	4	6	4	4	6	4	6	4	6	4	4	6	4	6	4	4	6	4	4	4	6	4	4	4	4	4	4	4	4	4	4				
c	5	6	6	6	5	5	5	6	6	5	5	5	5	5	6	5	6	6	5	5	5	6	6	6	5	5	6	6	6	6	6	6	6	6	6	6	5			
b	4	5	4	4	5	4	5	4	4	5	4	5	4	5	5	5	4	4	5	4	5	4	4	5	4	5	4	4	4	4	4	4	4	4	4	4	4			
a	4	6	4	4	5	4	5	4	4	5	4	5	4	5	4	4	5	4	6	4	4	6	4	4	4	4	4	4	4	4	4	4	4	4	4	4	4			
Z	6	6	6	6	6	6	6	6	6	6	6	6	6	6	6	6	6	6	6	6	6	6	6	6	6	6	6	6	6	6	6	6	6	6	6	6	6	6		
TOP	0	1	0	5	1	0	5	1	0	5	1	0	5	1	0	5	1	0	5	1	0	5	1	0	5	1	0	5	1	0	5	1	0	5	1	0	5	1	0	5

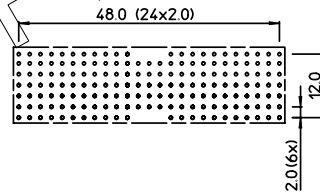
LOADED CONNECTOR ASSEMBLY (FOR EXAMPLE)



CONTACT OVERVIEW



LAY-OUT P.C.B.-HOLE



LEAD FREE INDICATOR : LF = LEAD FREE (DIGIT 15 & 16)

HM2P65PDU2A1

PLATING CODE (DIGIT 13 AND 14) (REF DWG No. BS,C ,201844,003)

NOTES:

1. THIS PRODUCT IS CSA APPROVED.
2. THIS PRODUCT IS UL RECOGNIZED.
3. MEASURED AT THE BOTTOM.
4. MATERIAL CONTACT: PHOSPHORBRONZE
HOUSING: CREAM WHITE GLASSFILLED POLYESTER UL-94V0
5. CONNECTOR PRINTED WITH P/N AND DATE CODE.
6. FOR ACTUAL CONTACT LOADINGS, SEE LOADING PATTERN MATING SIDE.
7. SHAPE OF CONNECTOR HOUSING CAN ALTER DEPENDING ON PRODUCTION LOCATION.
8. THE PRODUCT (LF) MEETS EUROPEAN UNION DIRECTIVES AND OTHER COUNTRY REGULATIONS AS DESCRIBED IN GS-22-008
9. FOR RECOMMENDED PTH DIMENSIONS REFER DRAWING : BS,A ,201572,001

EUROPEAN PRO

THIS IS OUR EXCLUSIVE PROPERTY. IT IS NOT TO BE COPIED, REPRINTED OR DISCLOSED TO A THIRD PARTY. NOR USED FOR MANUFACTURING WITHOUT OUR WRITTEN CONSENT, AND HAS TO BE RETURNED TO US IN CASE OF NO USAGE

DIT IS ONZE EIGENDOM EN MAG NIET WERDEN KOPIEERD, OVERGEDRUKT, OVERGEDRUKT AAN DERDEN, NOCH VOOR FABRICATIE GEBRUIKT WORDEN, ZONDER ONZE SCHRIFTELIJKE TOELATING. BIJ NIET GEBRUIK IS TERUGZENDING VERPLICHT.

1DEC ±0.2 2DEC ±0.1 ANGLES ±1°	APPR. DRAFT CHECKED	DATE 2003-03-06	SIGN. M. Fret	MPACS 5+2R STR HDR CONN TYPE AB
WE RESERVE THE RIGHT TO CHANGE DIMENSIONS OR REQUIREMENTS WITHOUT PRIOR NOTICE.	PROD. MGR. PR. ENG. MGR. PR. MGT. MGR.			CAT. No. HM2P65PDU2A1----
ALL DIMENSIONS IN MM				FCI www.fciconnect.com SCALE
				BS,C ,202788,281 C
				DRAWING No. CUSTOMER DRAWING REVISION



REFERENCES