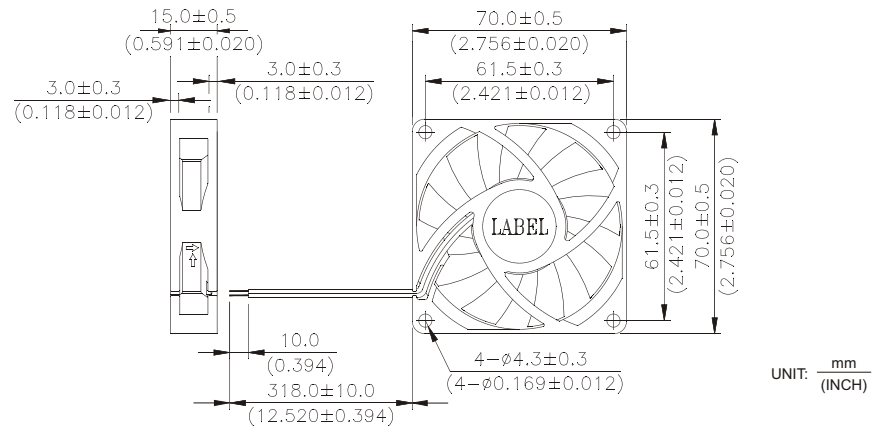


# AFB 70 x 70 x 15 MM SERIES

## DIMENSIONS DRAWING

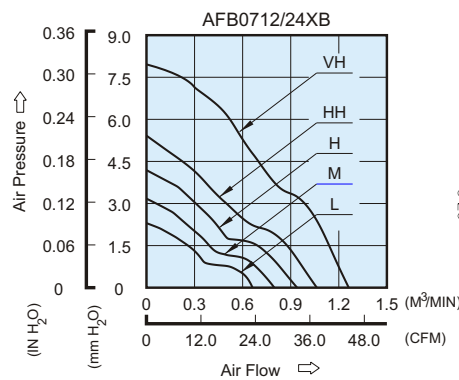


UNIT: mm  
(INCH)

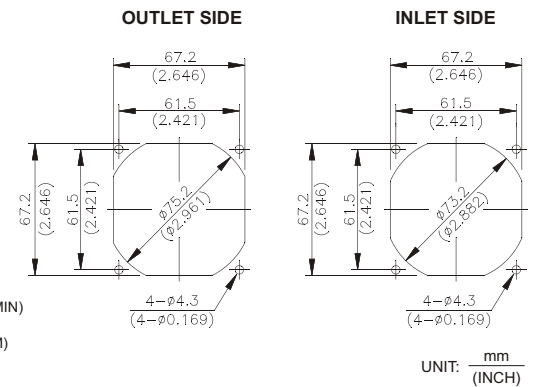


- \* Bearing Type : Ball Bearings
- \* Material : Impeller & Frame : Plastic(UL 94V-0)
- \* Lead Wires : UL 1007 AWG #24 OR Equivalent  
Red Wire Positive(+)  
Black Wire Negative(-)
- \* Weight : 47g (1.66 OZ)
- \* Rib Type Only

## P & Q CURVE (AT RATED VOLTAGE)



## MOUNTING PANEL CUTOUT



UNIT: mm  
(INCH)

MODEL		Rated Voltage	Operating Voltage Range	Rated Current	Rated Input Power	Speed	Maximum Air Flow		Maximum Air Pressure		Noise
PART NO.	FUNCTION	VDC	VDC	Amp	Watt	R.P.M.	m <sup>3</sup> /min	CFM	mmH <sub>2</sub> O	IN H <sub>2</sub> O	dB-A
AFB0712LB	-R00 / -F00	12	4.0 to 13.8	0.08	0.96	2800	0.662	23.38	2.27	0.089	26.5
AFB0724LB	-R00 / -F00	24	14.0 to 27.6	0.06	1.44						
AFB0712MB	-R00 / -F00	12	4.0 to 13.8	0.14	1.68	3300	0.798	28.18	3.12	0.123	31.0
AFB0724MB	-R00 / -F00	24	14.0 to 27.6	0.09	2.16						
AFB0712HB	-R00 / -F00	12	4.0 to 13.8	0.18	2.16	3800	0.940	33.20	4.12	0.162	34.5
AFB0724HB	-R00 / -F00	24	14.0 to 27.6	0.12	2.88						
AFB0712HHB	-R00 / -F00	12	4.0 to 13.8	0.26	3.12	4300	1.063	37.54	5.33	0.210	38.5
AFB0724HHB	-R00 / -F00	24	14.0 to 27.6	0.15	3.60						
AFB0712VHB	-R00 / -F00	12	4.0 to 12.6	0.37	4.44	5200	1.287	45.45	7.79	0.306	44.0

\* Function type is optional.  
 \* The max. air flow and the speed are measured in free air ; max. air pressure is measured at zero air flow.  
 \* Noise is measured in anechoic chamber in free air, one meter from intake side.  
 \* All readings are typical values at rated voltage.  
 \* Specifications are subject to change without notice.  
 \* Both of the ball bearing and the 1 ball + 1 Sleeve type are available(except "AFB0712VHB).