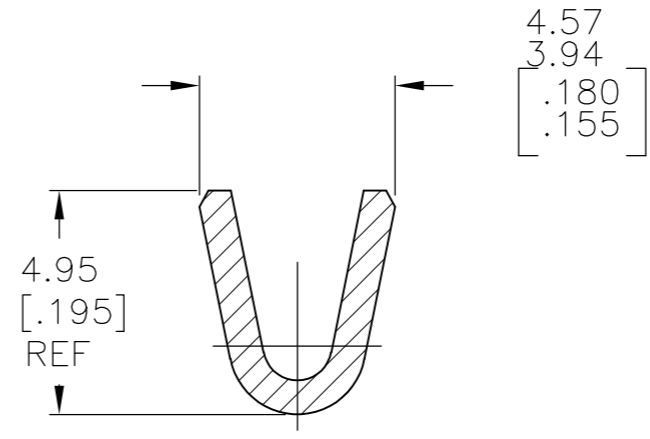
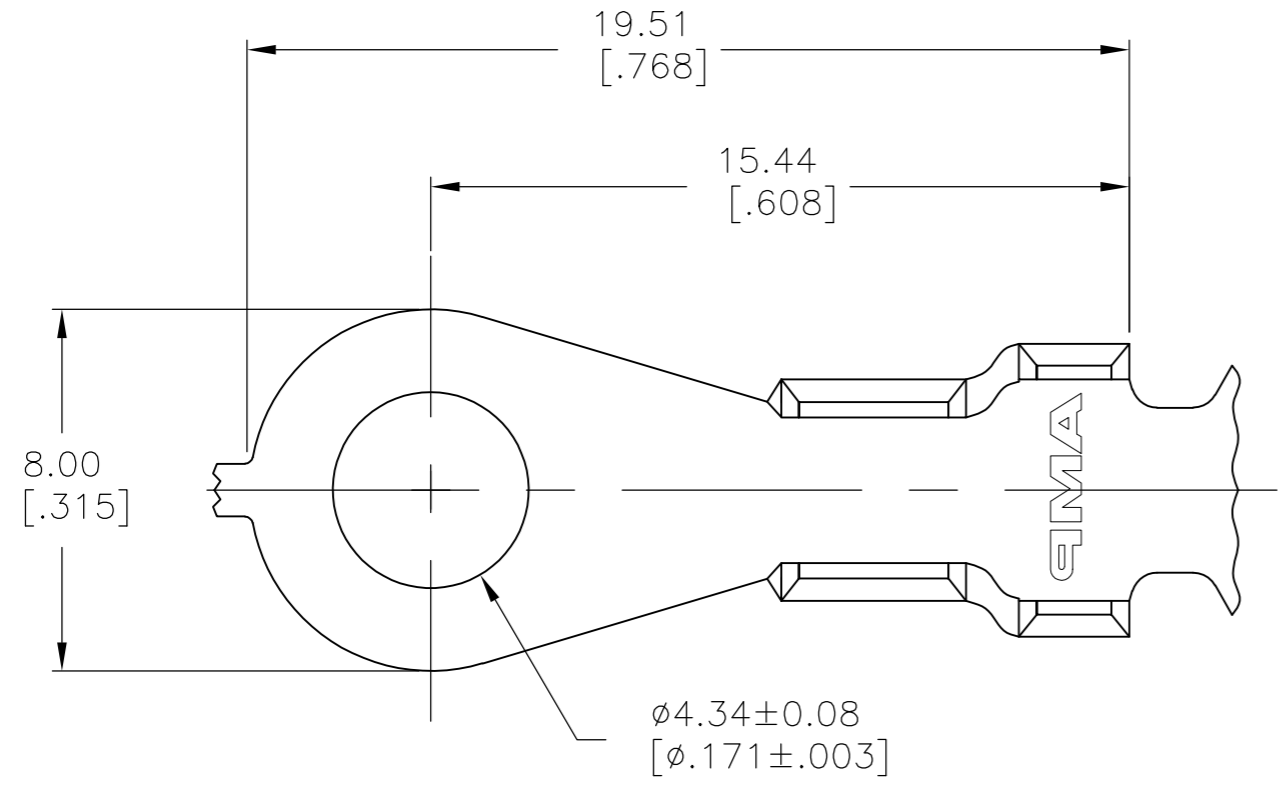


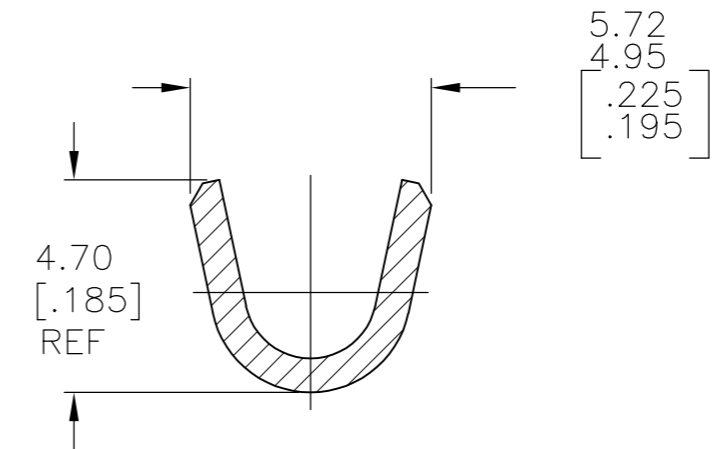
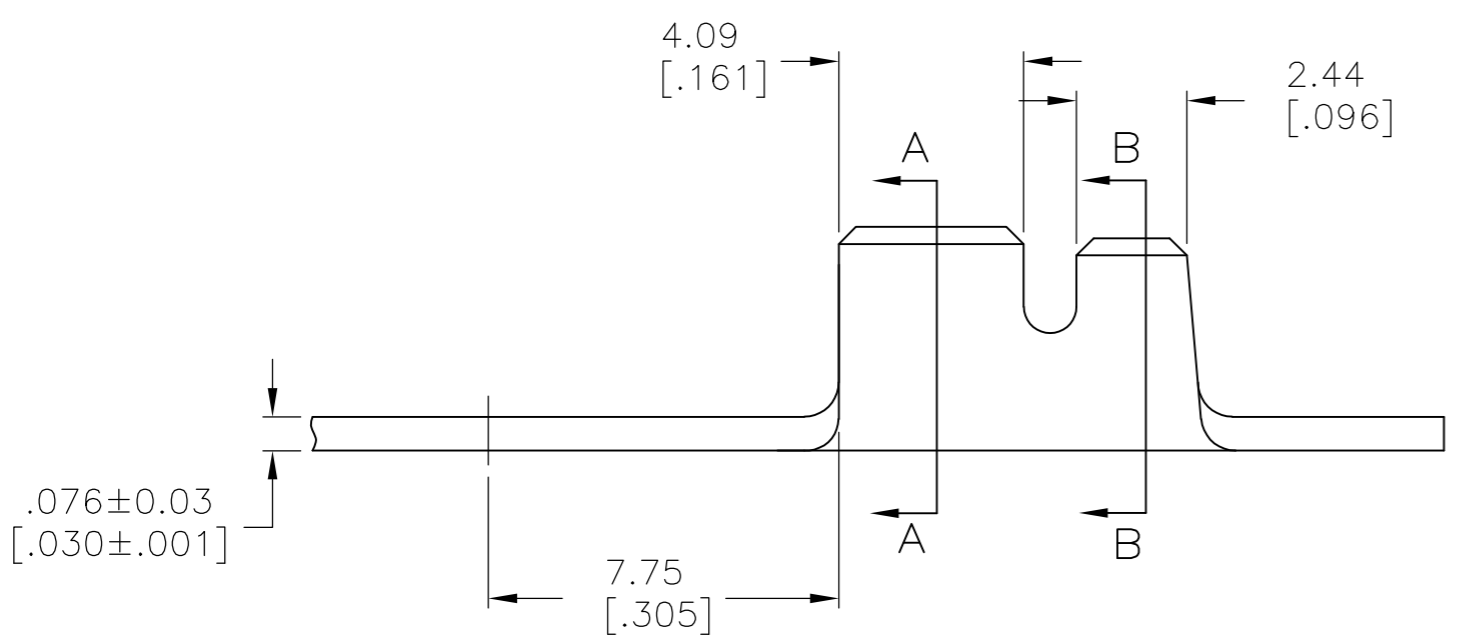
THIS DRAWING IS UNPUBLISHED. RELEASED FOR PUBLICATION
 © COPYRIGHT BY TYCO ELECTRONICS CORPORATION. ALL RIGHTS RESERVED.

LOC	DIST	REVISIONS			
P	LTR	DESCRIPTION	DATE	DWN	APVD
AF	50	D1	REVISED PER ECR-07-030301	16MAY08	HMR JR

1 CONTINUOUS STRIP ON REELS



SECTION A-A



SECTION B-B

M4 #8	0.8-2.0 mm ² [18-14]	2.54-3.56 [.100-.140]	TIN	BRASS	63170-1
STUD SIZE	WIRE RANGE	INSULATION RANGE	FINISH	MATERIAL	PART NO.

THIS DRAWING IS A CONTROLLED DOCUMENT.		DWN RAGHAVENDRA 16MAY2008	Tyco Electronics Corporation Harrisburg, PA 17105-3608														
DIMENSIONS: mm [INCHES]		CHK JEFF RUTH 16MAY2008	NAME														
TOLERANCES UNLESS OTHERWISE SPECIFIED:		APVD JEFF RUTH 16MAY2008	RING														
<table border="0"> <tr><td>0 PLC</td><td>± -</td></tr> <tr><td>1 PLC</td><td>± -</td></tr> <tr><td>2 PLC</td><td>± 0.38 [.015]</td></tr> <tr><td>3 PLC</td><td>± -</td></tr> <tr><td>4 PLC</td><td>± -</td></tr> <tr><td>ANGLES</td><td>± 1' 0'</td></tr> </table>		0 PLC	± -	1 PLC	± -	2 PLC	± 0.38 [.015]	3 PLC	± -	4 PLC	± -	ANGLES	± 1' 0'	PRODUCT SPEC	RESTRICTED TO		
0 PLC	± -																
1 PLC	± -																
2 PLC	± 0.38 [.015]																
3 PLC	± -																
4 PLC	± -																
ANGLES	± 1' 0'																
MATERIAL SEE TABLE		APPLICATION SPEC	SIZE	CAGE CODE	DRAWING NO												
FINISH SEE TABLE		WEIGHT	A3	00779	C-63170												
CUSTOMER DRAWING			SCALE	SHEET	REV												
			6:1	1 OF 1	D1												