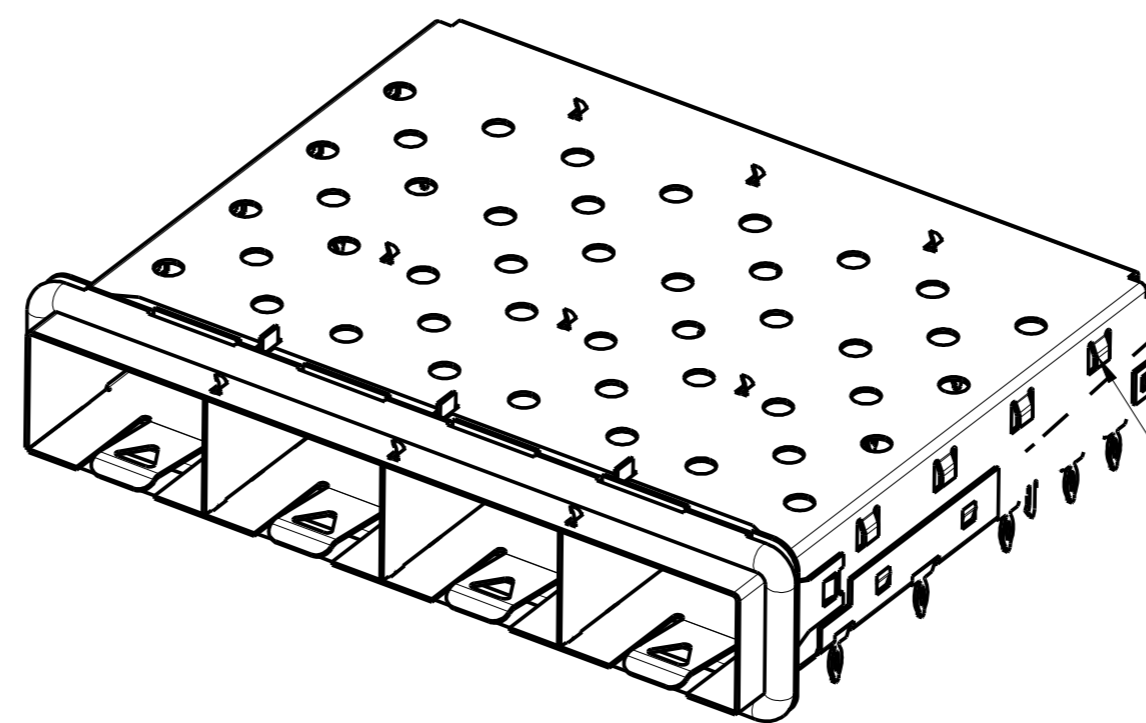
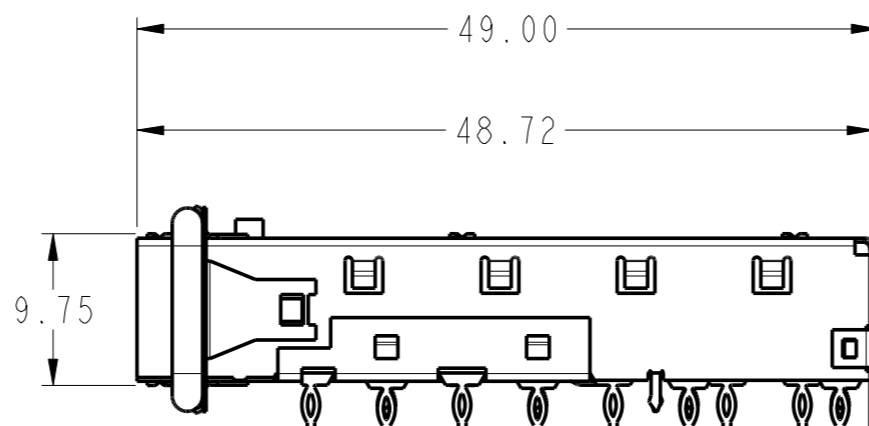
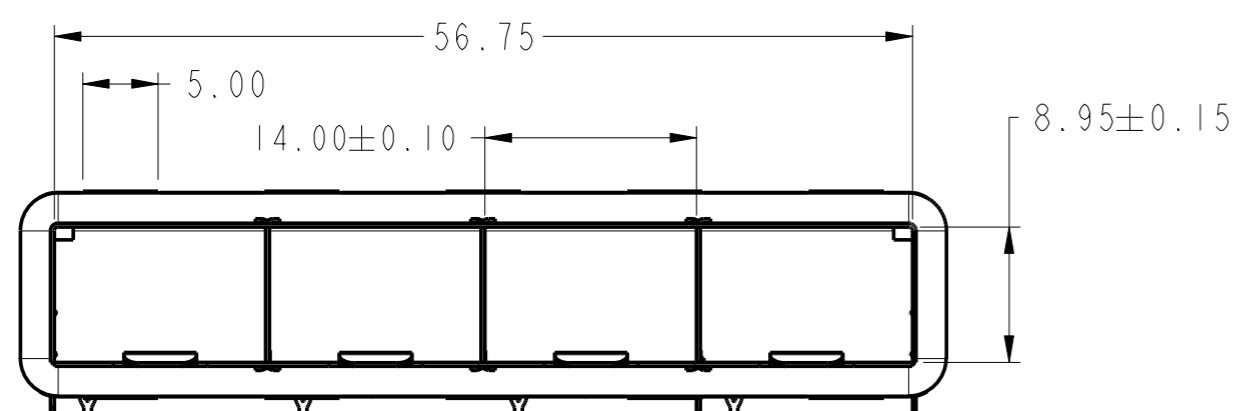
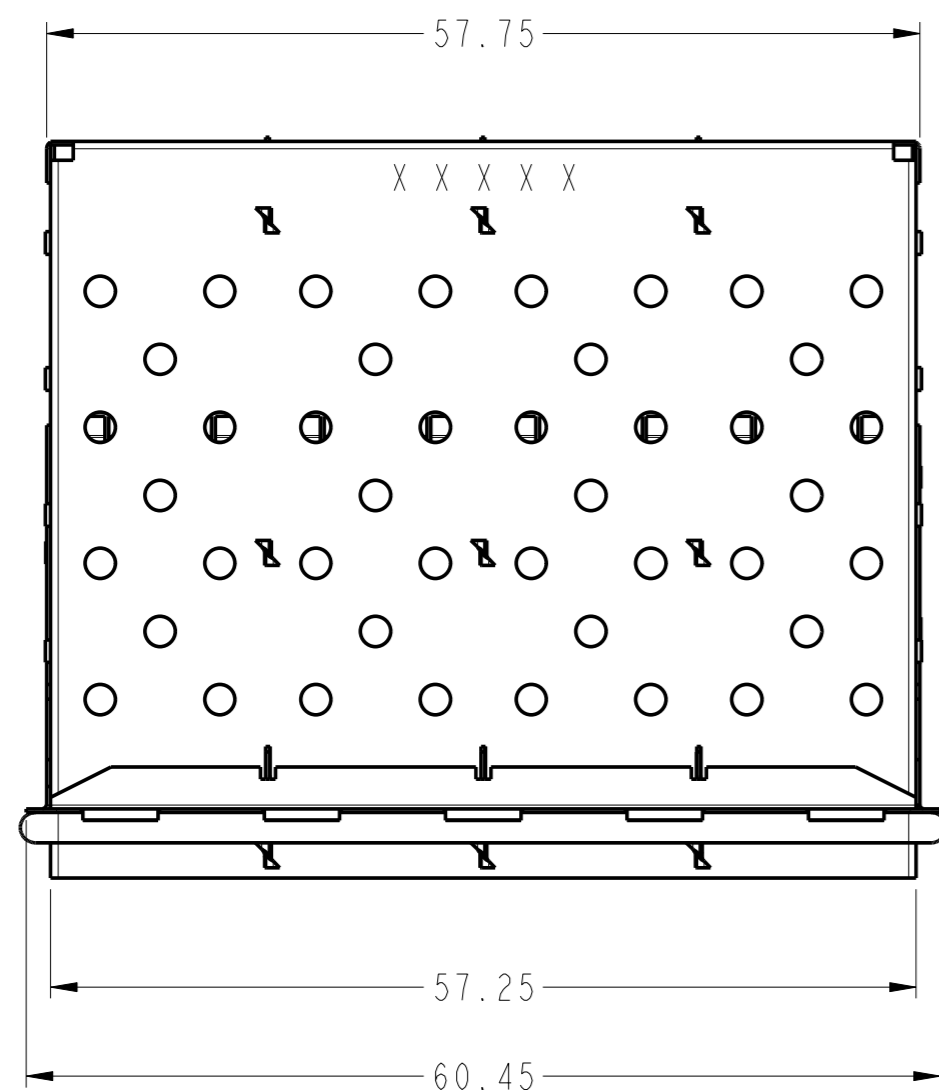
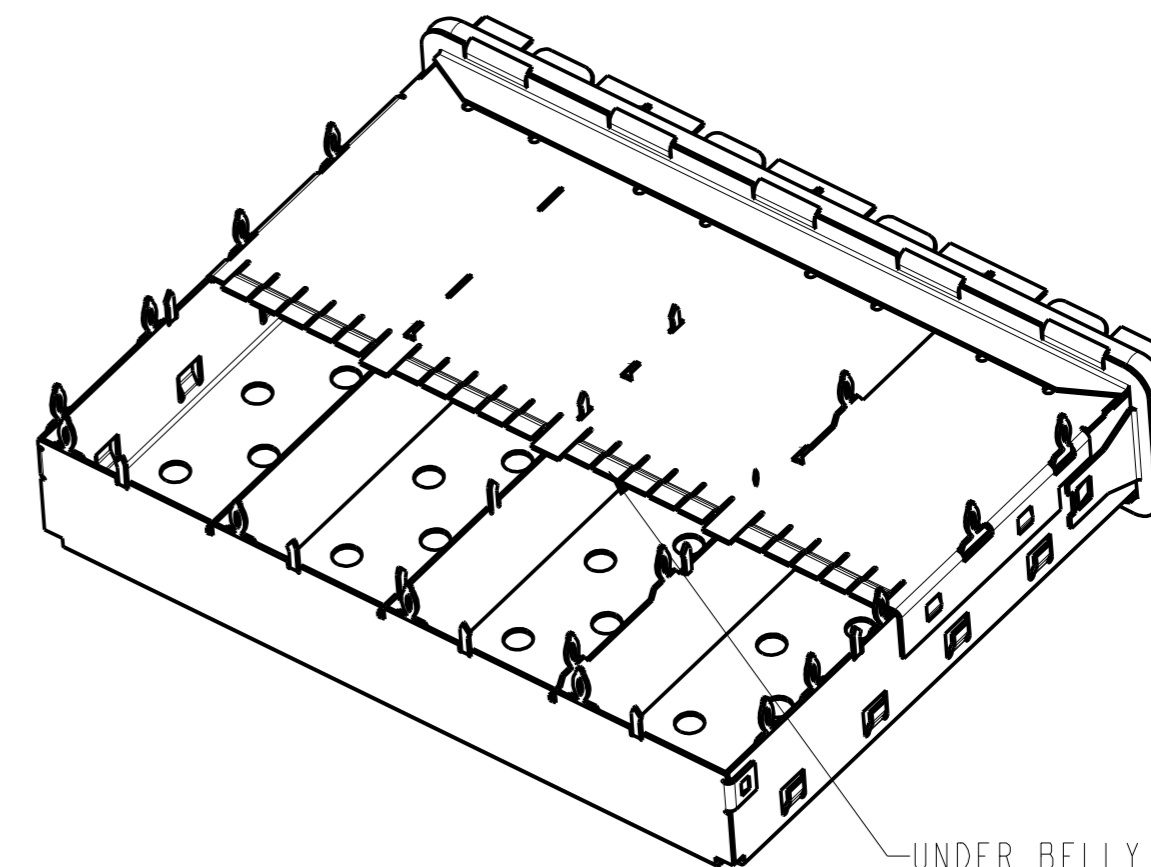


PRODUCT NUMBER	PACKAGING
10099104-011LF	TRAY

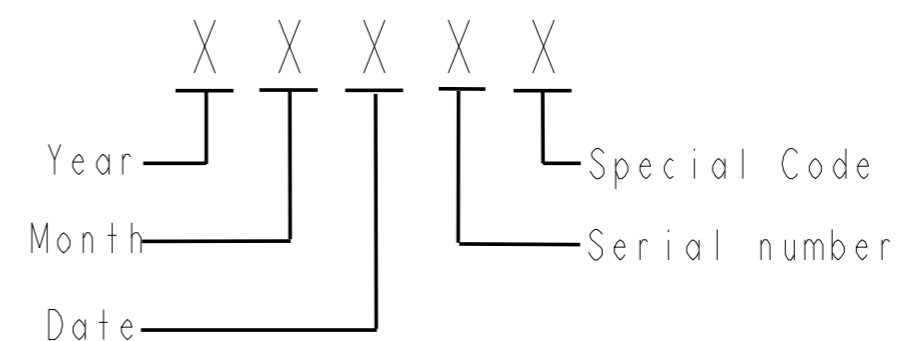


SFP PLUS 1X4 CAGE ASSEMBLY



NOTES:

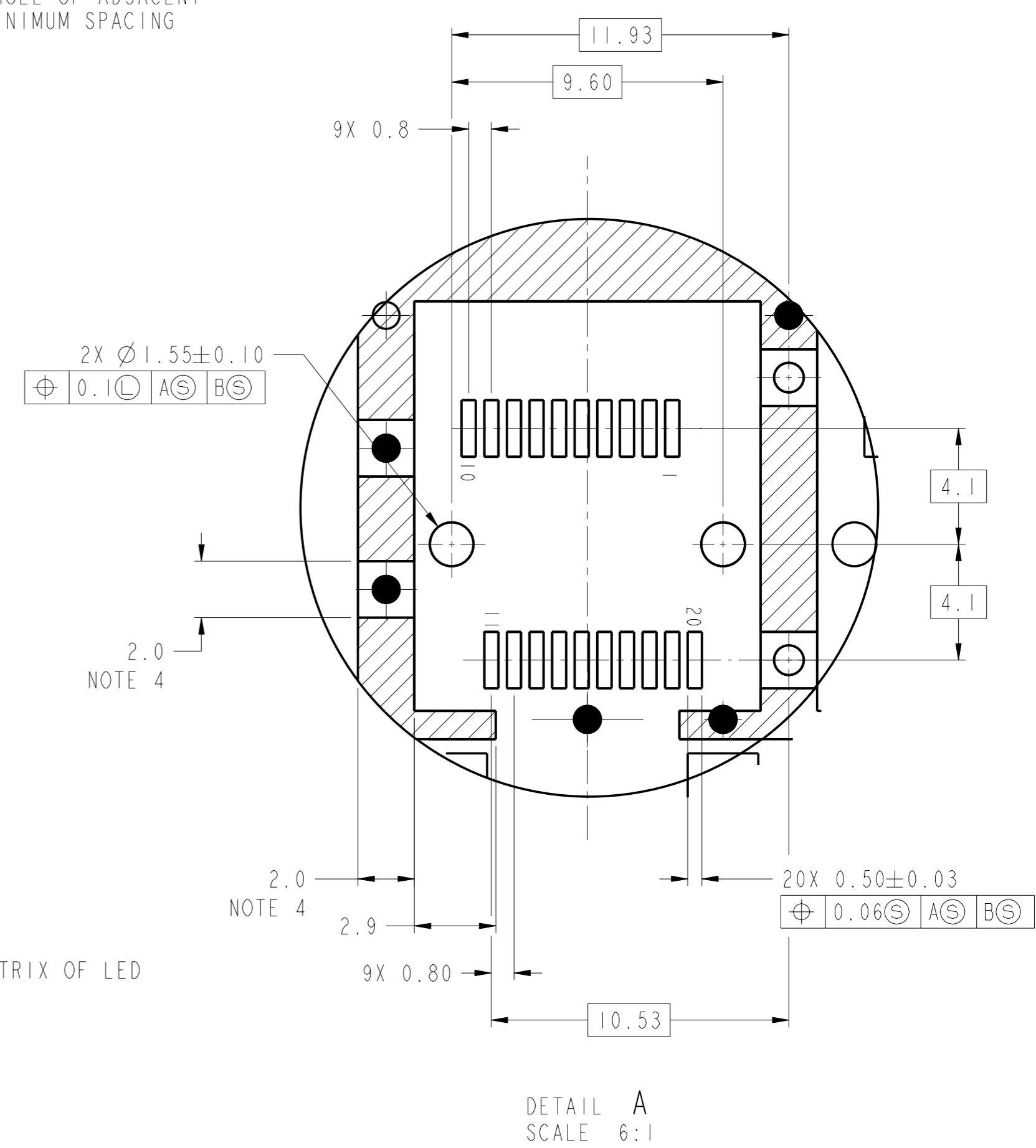
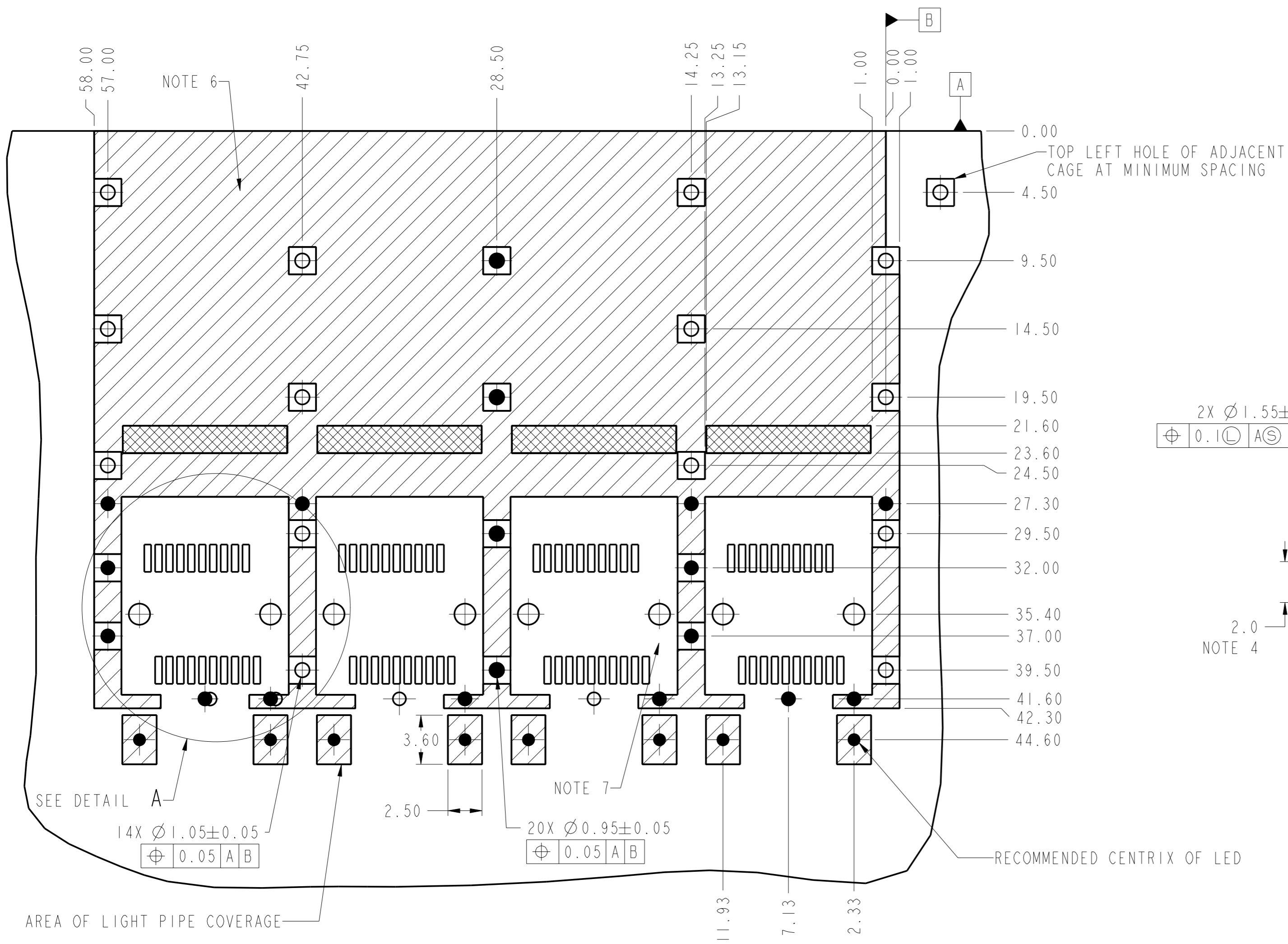
- MATERIAL: CAGE BODY: COPPER ALLOY.
EMI GASKET: CONDUCTIVE ELASTOMER.
GASKET BRACKET: STAINLESS STEEL.
- PLATING: CAGE BODY: 50 u"MIN NICKEL PLATING OVER ALL.
GASKET BRACKET: NONE.
- OPTIONAL LIGHT PIPE COVER ASSEMBLY AVAILABLE.
- PADS AND VIAS ARE CHASSIS GROUND.
- SPACING BETWEEN PORTS TO BE 14.25.
- HATCHED AREA DENOTES COMPONENT AND TRACE KEEP-OUT (EXCEPT CHASSIS GROUND).
- THIS AREA DENOTES COMPONENT KEEP-OUT (TRACES ALLOWED).
- PRODUCT SPECIFICATION: GS-12-616.
- APPLICATION SPECIFICATION: GS-20-125
- PRODUCT MEETS EUROPEAN UNION DIRECTIVES AND OTHER COUNTRY REGULATIONS AS DESCRIBED IN GS-22-008.
- DATE CODE BE PRINTED ON PROPER SURFACE.
- THE CAGE CAN BE ASSEMBLED WITH LIGHT PIPE KIT.
- LIGHT PIPE REFER TO DRAWING NUMBER 10099108 FOR DIMENSIONAL INFORMATION.



www.fciconnect.com		surface - ✓ ASME Y14.5	tolerance std ASME Y14.5	projection ⊕	MM Scale 2:1
		TOLERANCES UNLESS OTHERWISE SPECIFIED			
Dr	P. S. KUMAR	2009-05-09	ANGULAR	0.X	±0.25
Eng	M. GRAY	2009-05-29	LINEAR	0.XX	±0.15
Chr	M. GRAY	2009-05-29	0° ±1°	0.XXX	±
Appr	M. GRAY	2009-05-29	Product family	SFP+	ECN N10-0376
				Spec ref	RELEASE
FCI		SFP+ 1X4 CAGE WITH LIGHT PIPE HOOKS ELASTOMER TYPE		dwg no	10099104
		catalog no		CUSTOMER	Rev. C

I 2 3 4 5 6 7 8

A B C D E



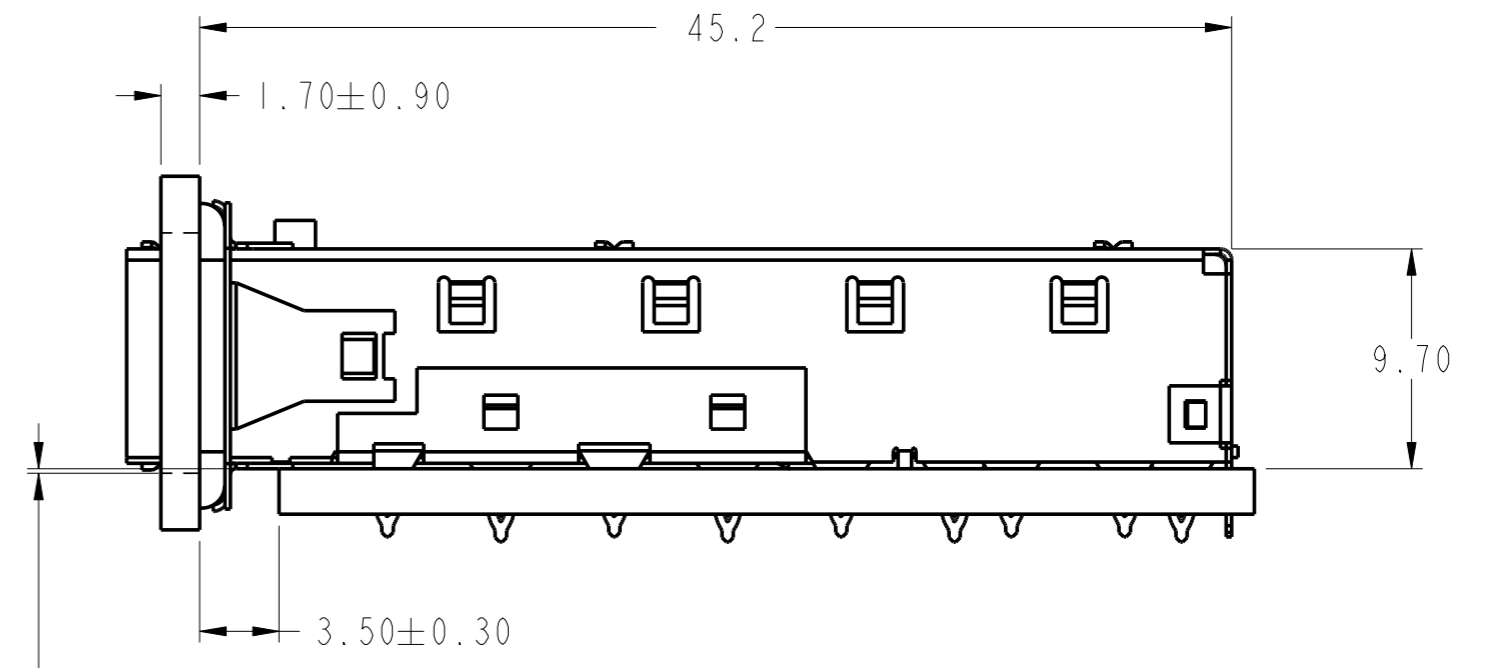
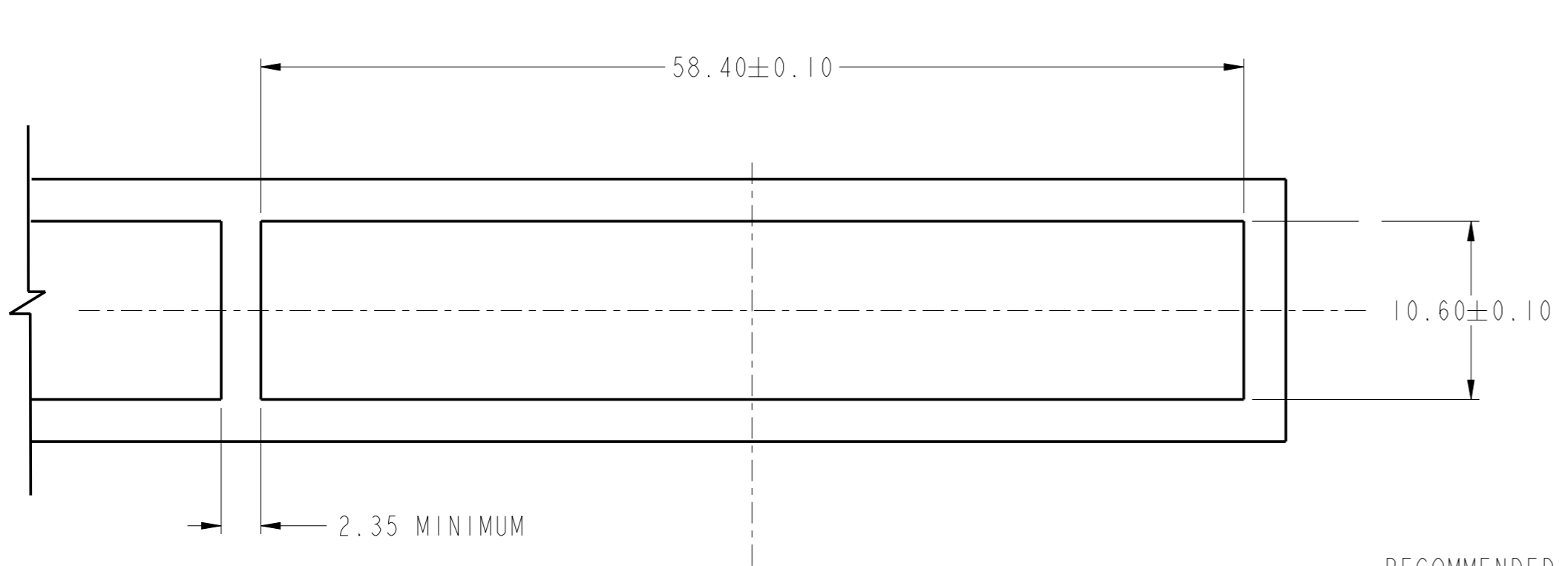
SFP HOST BOARD MECHANICAL LAYOUT

Copyright FCI.

www.fciconnect.com		surface - <input checked="" type="checkbox"/> ASME Y14.5	tolerance std - <input checked="" type="checkbox"/> ASME Y14.5	projection	MM
TOLERANCES UNLESS OTHERWISE SPECIFIED					
Dr	P. S. KUMAR	2009-05-09	ANGULAR	0.X	± 0.25
Eng	M. GRAY	2009-05-29	LINEAR	0.XX	± 0.15
Chr	M. GRAY	2009-05-29	$0^\circ \pm 1^\circ$	0.XXX	\pm
Appr	M. GRAY	2009-05-29	Product family	SFP+	Spec ref
TITLE			SFP+ 1X4 CAGE WITH LIGHT PIPE HOOKS		dwg no
ELASTOMER TYPE					10099104
catalog no					Rev. C
				CUSTOMER	sheet 2 of 3
				STATUS: Released	Printed: Mar 22, 2011

1 2 3 4 5 6 7 8

A
B
C
D
E
F



0.19
RECOMMENDED SPACE FROM
TOP OF PCB TO BOTTOM
OF BEZEL OPENNING.

BEZEL AND BOARD DIMENSIONS FOR SINGLE SIDE MOUNTING

Copyright FCI.

www.fciconnect.com		surface - ✓ ASME Y14.5	tolerance std ASME Y14.5	projection ⊕	MM ↔
		TOLERANCES UNLESS OTHERWISE SPECIFIED			
Dr	P. S. KUMAR	2009-05-09	ANGULAR	0.X	±0.25
Eng	M. GRAY	2009-05-29	LINEAR	0.XX	±0.15
Chr	M. GRAY	2009-05-29	0° ±1°	0.XXX	±
Appr	M. GRAY	2009-05-29	Product family	SFP+	Spec ref
			size	A2	Scale
			ECN	N10-0376	RELEASE
			ELASTOMER TYPE		
			catalog no		
FCJ			SFP+ 1X4 CAGE WITH LIGHT PIPE HOOKS		Rev.
			10099104		C
			CUSTOMER		sheet 3 of 3
			STATUS: Released		Printed: Mar 22, 2011