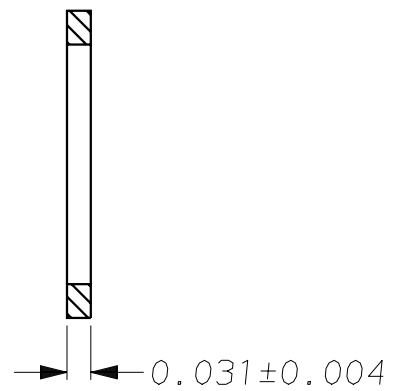
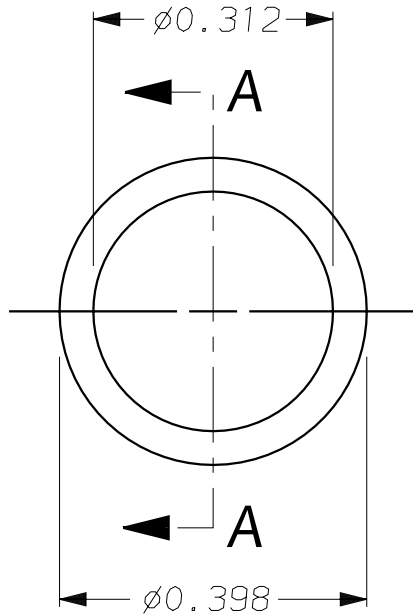


| | | | | | | | |
|---------------------------------------|----------------------------------------------------------------|-------------------------------------------------------------------------------------------------------------------------------------------------------------------------------------------------------------|-------|---------------------------------|------|------|----|
| ALL DIMS. AND TOLS. PER ANSI Y14.5 | NAME | PL/FB | DATE | 3/6/73 | 7955 | REV | B |
| | SCALE | 4:1 | APPR. | | | SHT. | OF |
| TOLERANCES | | UNLESS OTHERWISE SPECIFIED DIMENSIONS ARE IN INCHES | | CKW PANEL SEAL OPTION | | | |
| DECIMAL | ANGLE | THIS DOCUMENT AND THE INFORMATION IN IT IS THE EXCLUSIVE PROPERTY OF C&K COMPONENTS, INC., AND IS NOT TO BE USED OR DISCLOSED WITHOUT THE EXPRESS WRITTEN PERMISSION OF C&K COMPONENTS, INC. | | | | | |
| .XX± | .XXX± .005 ± | | | | | | |
| <input checked="" type="checkbox"/> | CRITICAL - MUST COMPLY WITH C&K QUALIFICATION STD. CKQI0019 | | | | | | |
| <input type="checkbox"/> | MAJOR DIMENSION | | | | | | |



SECTION A-A

NOTES:

1. MATERIAL: BUNA-N, DUROMETER 65
2. UNLESS OTHERWISE SPECIFIED:
 - a. MOLDING FLASH NOT TO EXCEED 0.005 MAX.
CIRC. BY 0.003 MAX. RADIAL.
3. PARTS MUST BE CLEAN AND DRY.
4. SILICONE-BASED MOLD RELEASE OR ADDITIVES ARE NOT PERMITTED.
5. C&K PRODUCT ENGINEERING APPROVAL MUST BE OBTAINED PRIOR TO ANY MODIFICATIONS TO EXISTING EJECTOR PINS, PARTING LINE, GATE AND CAVITY ID LOCATIONS.
- Ⓑ 6. REV 'B' CREATED PER TOOLING TRANSFER PROCEDURE FOR TOOL RE-LOCATION AND TRACEABILITY.
- Ⓑ 7. THIS PART MUST BE RoHS COMPLIANT AND MEET ALL REQUIREMENTS OF RoHS DIRECTIVE 2002/95/EC.

CAD FILE NO.: 7955

| ECN | SYM | DESCRIPTION | DATE | ECN | SYM | DESCRIPTION | DATE |
|-----------------|-----|-----------------------------------------------------------------|---------------|-----|-----|-------------|------|
| 6460 | A | REDRAWN ON CAD, REVISED NOTES, DELETED C&K SPEC 401 DESCRIPTION | 3/21/94 FB | | | | |
| ECO# 0005512 | B | ADDED NOTES 6 & 7 | 9/1/09 CAB | | | | |

7955

SHT. OF

REV
B