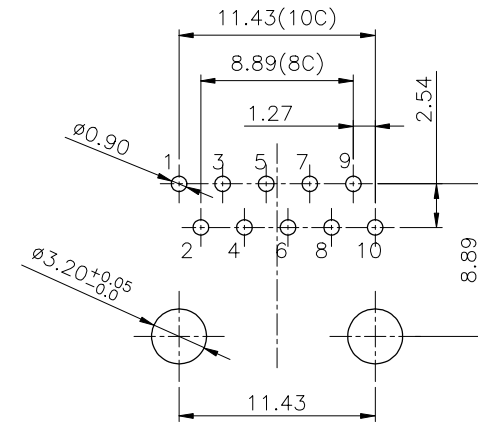
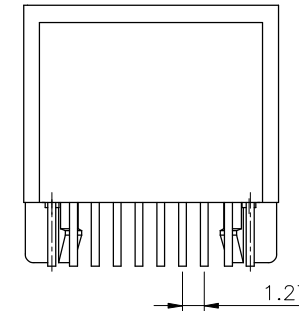
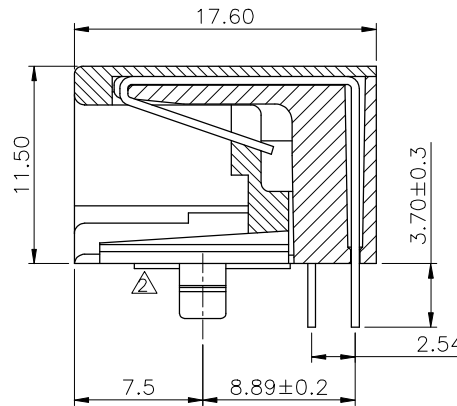
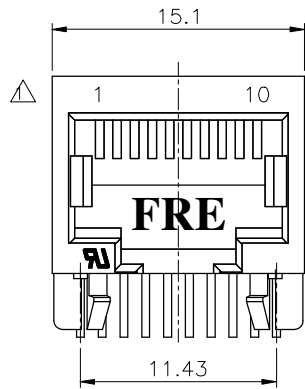


| REVISION RECORD | | |
|-----------------|-------------------|---------------------|
| REV | DESCRIPTION | DRFT |
| △ | MODIFY P/N & RoHS | 05/11/2006 Aaron |
| △ | DRAWING MODIFIY | SKYCHEN 11/30/06 |



Thickness=1.60mm

PC Board Layout Component Side Shown

NOTES:

ELECTRICAL:

- VOLTAGE RATING : 125 VAC RMS.
- CURRENT RATING : 1.5 AMP.
- CONTACT RESISTANCE : 45 MILLIOHMS MAX.
- INSULATION RESISTANCE: 1000 MEGOHMS MIN @ 500 VDC.
- DIELECTRIC STRENGTH : 1000 VDC RMS 60Hz, 1MIN.

MECHANICAL:

- HOUSING MATERIAL : PA6+GF30% UL94V-0./COLOR:BLACK.
- INSERTER MATERIAL : PBT+GF30% UL94V-0./COLOR:BLACK.
- CONTACT MATERIAL : PHOSPHOR BRONZE t=0.35mm.
- PLATING : GOLD PLATING OVER NICKEL.
- OPERATING LIFE : 750 CYCLES MIN.
- PCB RETENTION PRE-SOLDER : 1 LB MIN.
- PCB RETENTION POST-SOLDER: 10 LBS MIN.

ENVIRONMENTAL:

- STORAGE : -40°C TO +85°C.
- OPERATION: -40°C TO +85°C.
- WAVE SOLDERING TEMPERATURE: 255°C TO 265°C 5~10 SECONDS.
- RoHS COMPLIANT.

MATES WITH MODULAR PLUG CONFORMING TO
FCC PART 68, SUBPART F.
UL & CUL FILE NO. E163191

RoHS PART NUMBER: E560X-0000CX-L

NO. OF CONTACT: 8-8 CONTACTS 1-10 CONTACTS
1- 3u" 2- 6u"
3-15u" 4-30u"
5-50u"

| | | | | | | |
|------------------------|----------------------------|-------------|---------------|----------------------|---------------------------------------|-----------------------|
| DETACHED LISTS | MM (INCH) | | DFTO Aaron | DATE 04/18/06' | | RoHS Compliant |
| | TOLERANCES EXCEPT AS NOTED | | CHKD ANKUE | DATE 2006/11/30 | | |
| | MM | ± | APPVL LUSHENG | DATE 2006/11/30 | TITLE 11.5 SIDE ENTRY PCB JACK 10P | |
| | .0 ± 0.20 | ± | MATERIAL : | | | |
| | .00 ± 0.15 | ± | QT'Y : | | DRAWING NO. GE563A98-LB | |
| .000 ± 0.075 | ± | FINISH : | | /PART NO. SEE NOTE | | |
| ANGLES ± 0.5° | | SCALE : 3:1 | | DO NOT SCALE DRAWING | | SIZE A3 |
| THIRD ANGLE PROJECTION | | | | SHEET 1 OF 1 | | REV 2 |