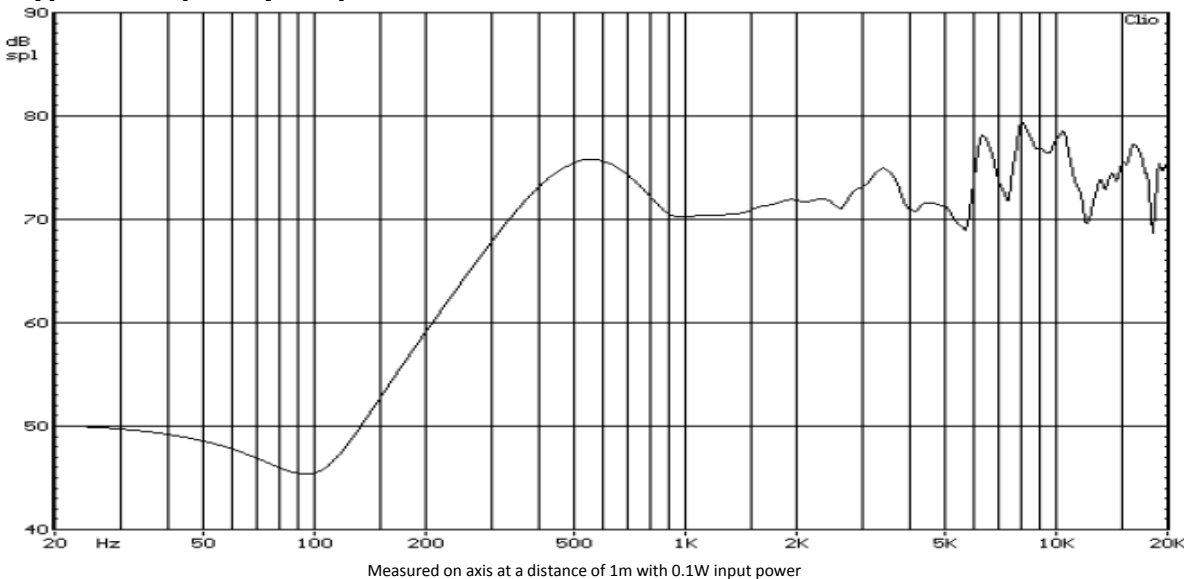


MAIN APPLICATION	TYPE	MAGNET	
Telecom	34mm	Material	Magnet Size (Round)
		NdFeB	Ø12.5x1.5mm

ITEM	SPECIFICATIONS	VALUES	TEST CONDITIONS
1	Dimensions	Ø34mm	per mechanical Drawings
2	Impedance	50Ω ±15%	2kHz / 1.0V
3	Nominal Power	0.3 Watts	
4	Max Power	0.5 Watts	
5	Resonant Frequency	450Hz ±20%	1.0V
6	Sensitivity (S.P.L.)	72dB ±3dB	0.1W/1m, Average 0.8/1/1.2/1.5kHz
7	Frequency Response	200Hz to 17KHz	0.1W/1m; Tolerance Max 10dB
8	THD	2.5% max	1kHz 0.1W/0.1m
9	Storage Temperature	-25°C to +70°C guaranteed range for transportation & storage	
10	Polarity	Membrane move forward when positive DC is applied to the '+' terminal	


ITEM	TEST	TEST CONDITIONS	RESULT
11	Rub & Buzz	Rated Power Sin wave (speaker frequency range)	No Buzzes or Rattles.
12	High Voltage Resistance	100VAC / 1mn between terminals and frame.	Must be normal
13	Insulation Resistance	100VDC between terminals and frame.	≥ 1MΩ
14	Load	White Noise at Rated Power for 96h	After 1 hour of rest at room ambient conditions, speakers must meet specs items 2, 5, 6.
15	High Temp.	+60±3°C for 96h (random 20%-50%RH)	
16	Low Temp.	-25±3°C for 96h (random 20%-50%RH)	
17	Humidity	+40±3°C ambient and 90%RH for 96h	

Typical Frequency Response

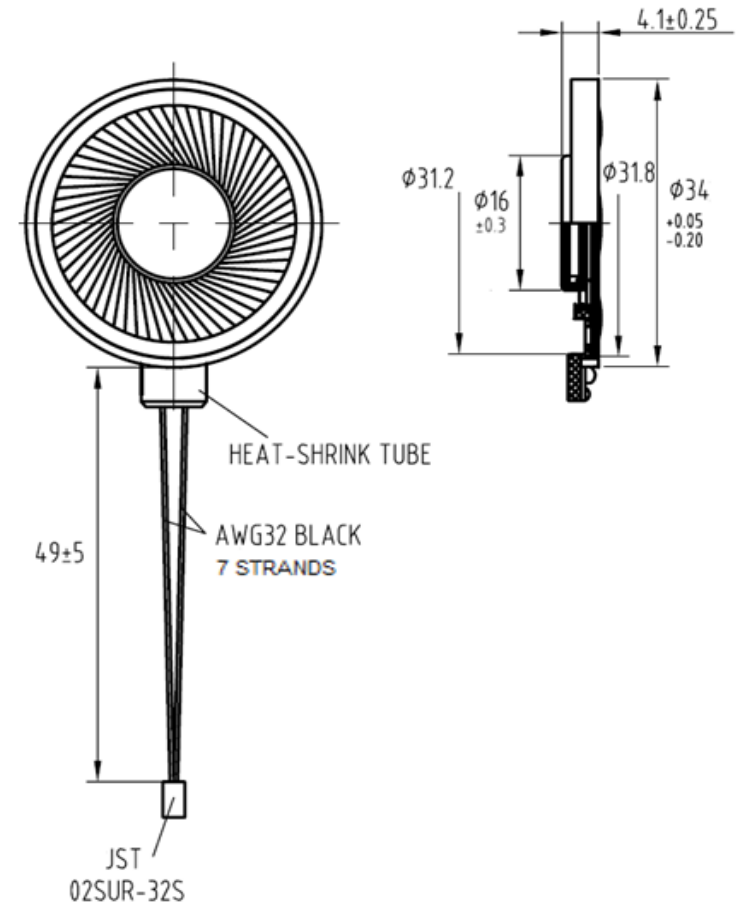


GASKET	MEMBRANE	BASKET	WEIGHT	REMARKS
-	Plastic	ABS	g	with cable and connector

PACKAGING	SPECIFICATIONS
Carton size:	tbd
Qty/Carton:	tbd
Gross Weight:	tbd



Mechanical Drawings (in mm)



Part n°			
SOD02902Y50LCBT-1			
REV	DATE	SHEET	
0,1	01/08/2017	1 of 1	RoHS Compliant