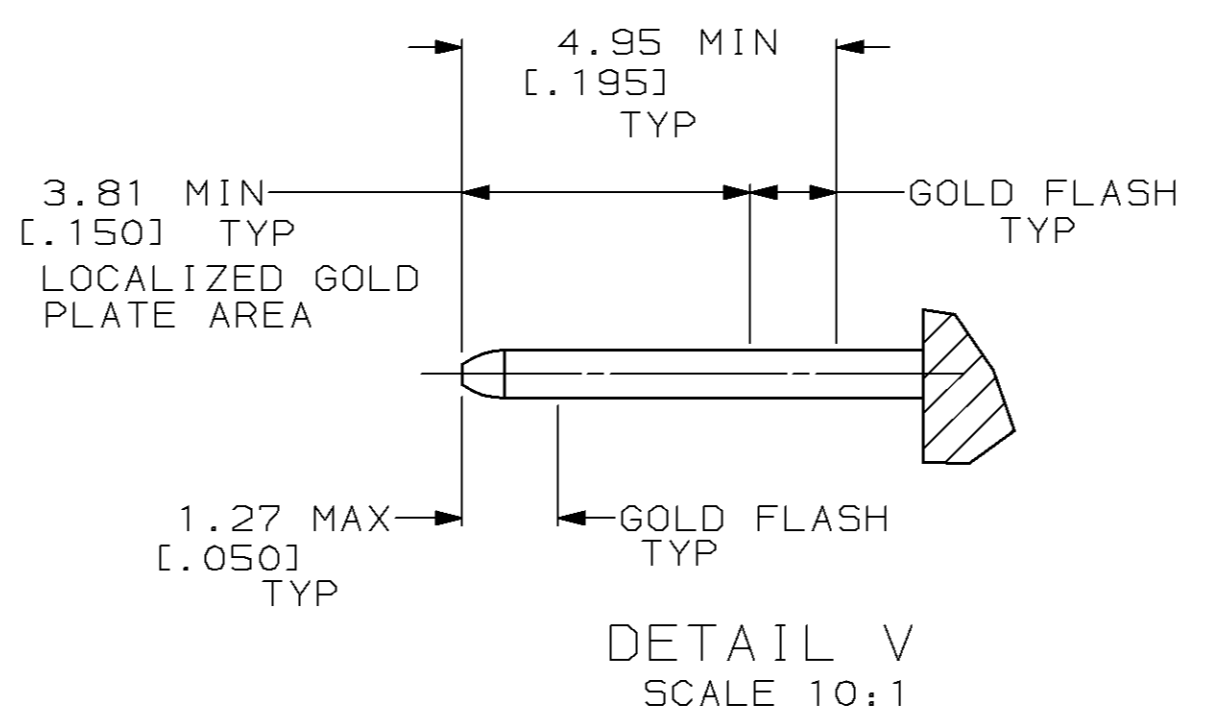
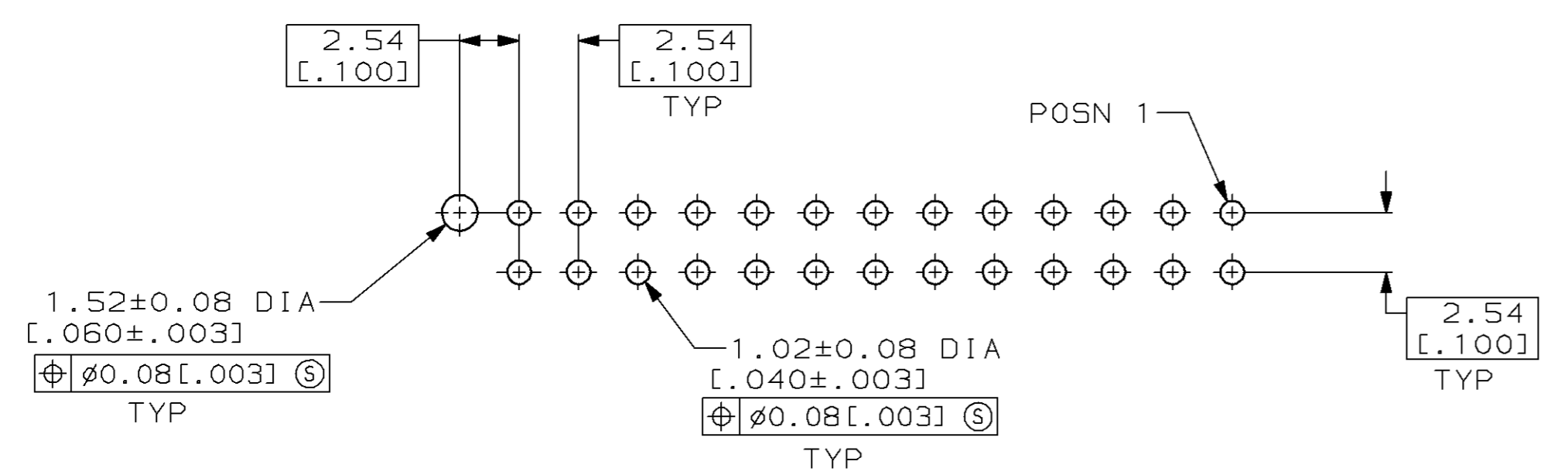
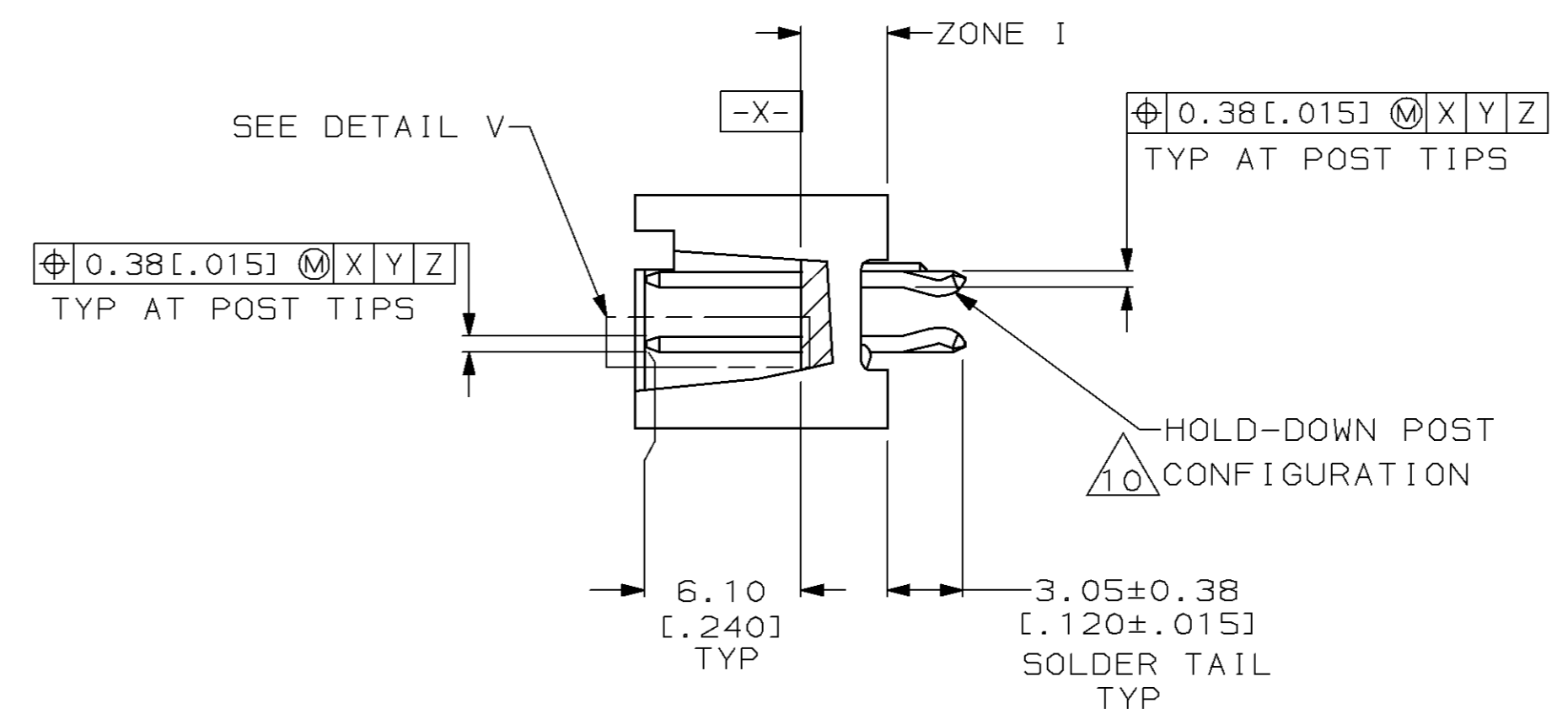
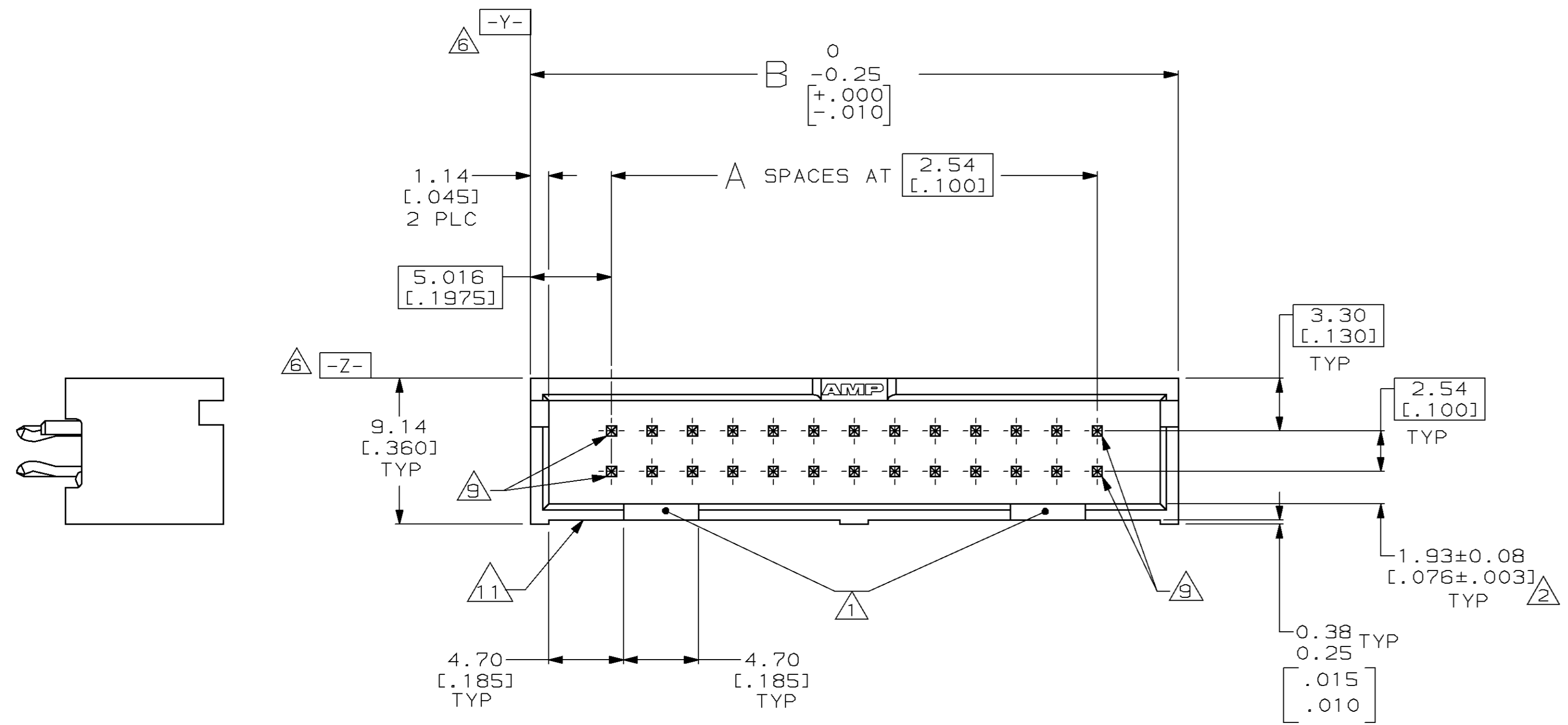
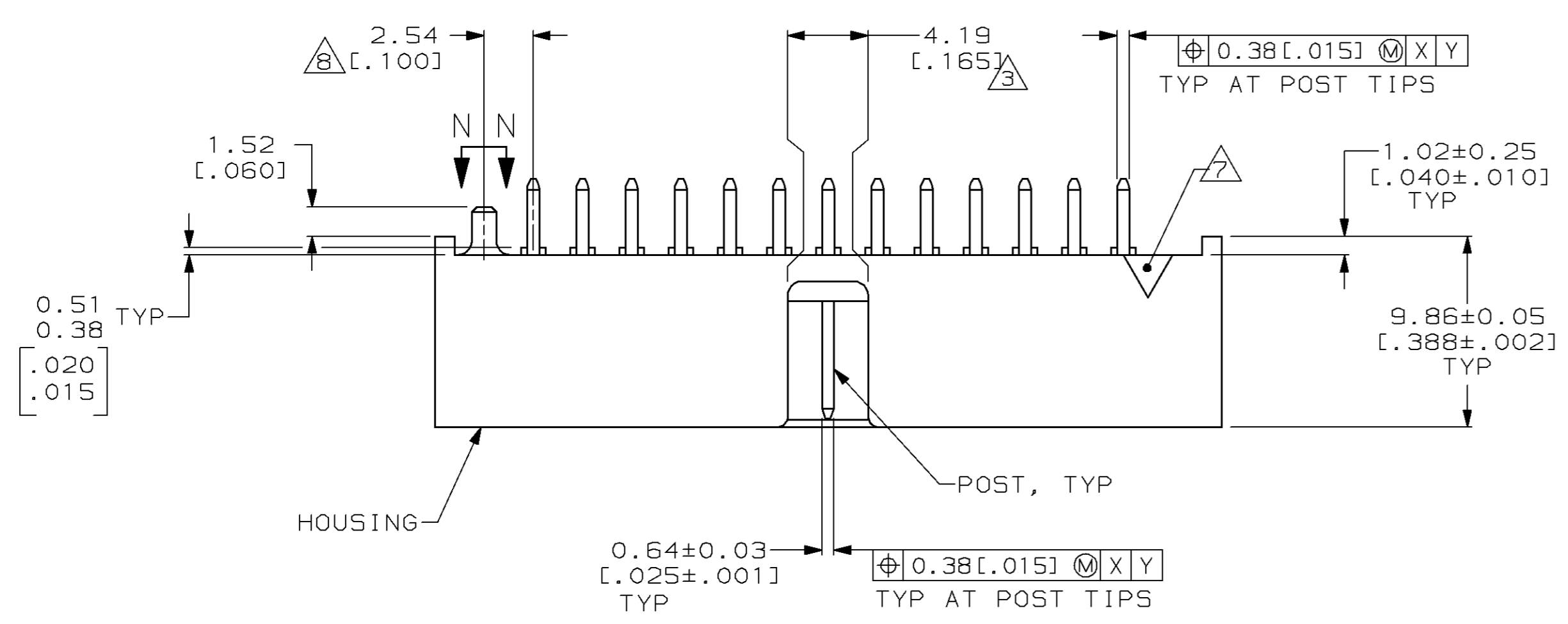
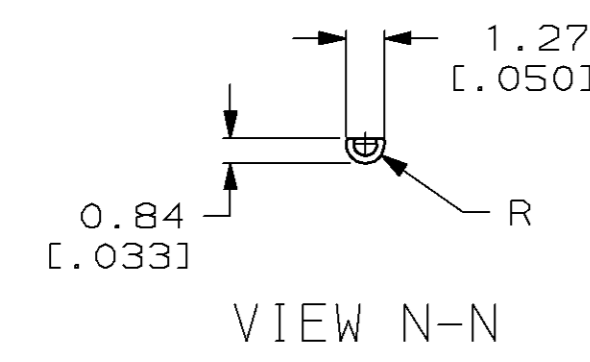


LOC		DIST		REV		REVISIONS		
AR	35	P	F	ZONE	LTR	DESCRIPTION	DATE	APPD
						O RLSE PER NPR 4684	3-29-93	-
						A ADDED 1--0 PER EC 0020-1323-94	11/10/94	RK
						B OBSOLETE -6 PER EC 0020-522-95	13 JUL 95	DK
						C REV PER EC 0020-857-95	08 DEC 95	RK
						D REV PER EC 0020-321-96	29 AUG 96	DM
						E REV PER EC 0410-56-97	06 OCT 97	JGH



- 1 DOUBLE BAR POLARIZATION.
- 2 DIMENSION APPLIES AT THE INTERSECTION OF THE POST AND HOUSING.
- 3 CENTER POLARIZATION SLOT.
- 4 HOUSING: NYLON, BLACK; POSTS: PHOSPHOR BRONZE.
- 5 POSTS: 0.13µm [.000005] MIN GOLD ON LOCALIZED GOLD PLATE AREA, 2.54µm [.000100] MIN TIN-LEAD ON SOLDER TAIL, ALL OVER 1.27µm [.000050] MIN NICKEL.
- 6 DATUMS Y AND Z APPLY IN ZONE I.
- 7 NUMBER 1 POSITION INDICATOR.
- 8 COORDINATE DIMENSION APPLIES FROM CENTER OF ACTUAL FEATURE.
- 9 LOCATION OF HOLD-DOWN POST (4 PLC).
- 10 THE RETENTIVE FEATURE ON THIS CONNECTOR WAS DESIGNED TO BE USED FULLY SEATED IN A CIRCUIT BOARD HAVING A THICKNESS OF 1.57±0.18 [.062±.007] FOR CONNECTORS HAVING RETENTIVE FEATURES DESIGNED FOR USE IN CIRCUIT BOARDS OF OTHER THICKNESSES CONTACT AMP INCORPORATED.
- 11 OPTIONAL AMP IDENTIFICATION NUMBER (DATE CODE). LOCATION APPROXIMATELY WHERE SHOWN.

	71.12 [2.800]	24	50	1-111783-0
	58.42 [2.300]	19	40	111783-8
	50.80 [2.000]	16	34	111783-7
OBSOLETE	40.64 [1.600]	12	26	111783-6
	B	A	NO OF POSN	PART NUMBER

DO NOT SCALE PRINT. UNLESS SPECIFIED DIMENSIONS IN mm [INCHES] TOLERANCES ON: 2 PLC DEC ±0.13 [.005] 3 PLC DEC ± - ANGLES ± -		DR 3-29-93 J McCLINTON		AMP Incorporated Harrisburg, PA 17105-3608	
MATERIAL		CHK 3-31-93 R. STONE			
FINISH		APPD 3-31-93 D. HOFFMAN		NAME	
4		PRODUCT SPEC 108-40018		HEADER ASSY, LOW PROFILE, AMP-LATCH™	
5		APPLICATION SPEC		SIZE	
				D	
WEIGHT				CAGE CODE	
				00779	
				DRAWING NO	
				C=111783	
				SCALE	
				4:1	
				SHEET	
				1 OF 1	

THIS DRAWING IS A CONTROLLED DOCUMENT FOR AMP INCORPORATED. IT IS SUBJECT TO CHANGE AND THE CONTROLLING ENGINEERING ORGANIZATION SHOULD BE CONTACTED FOR THE LATEST REVISION.