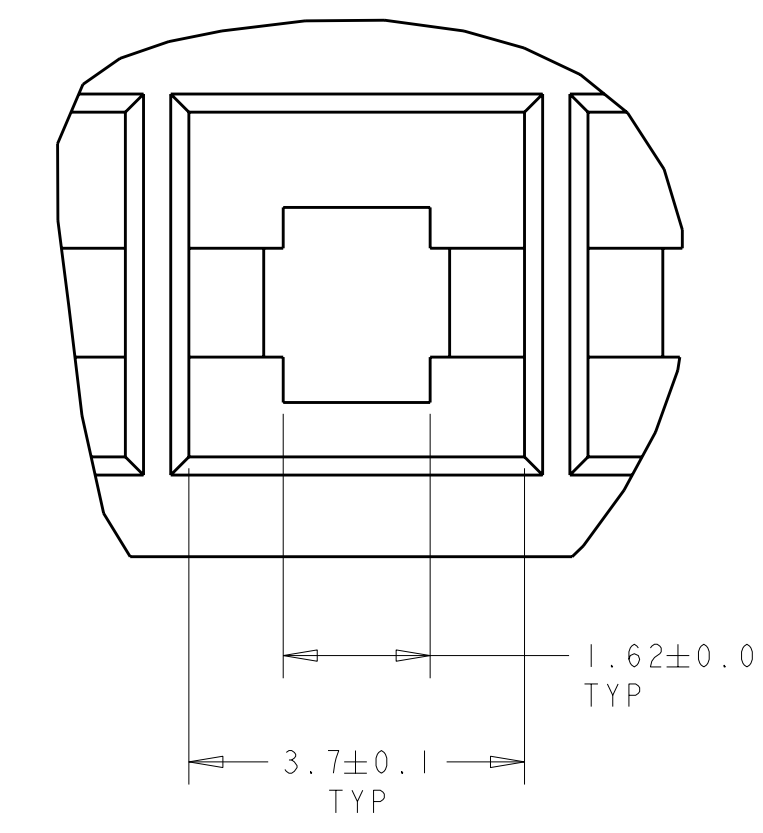
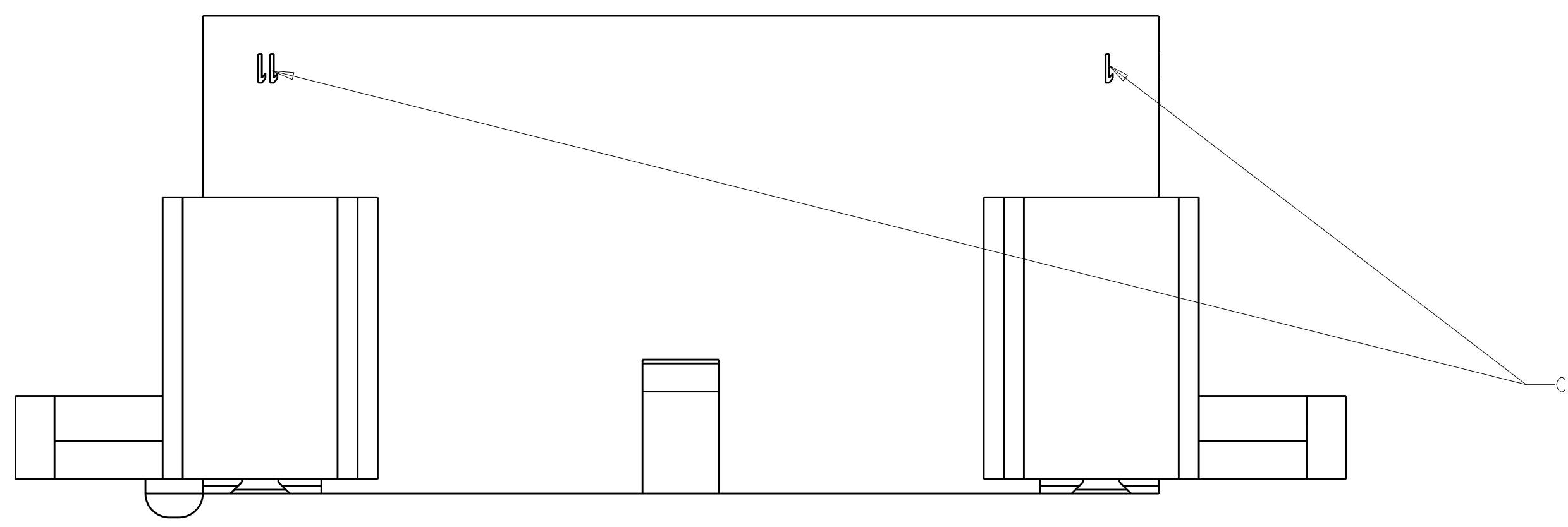
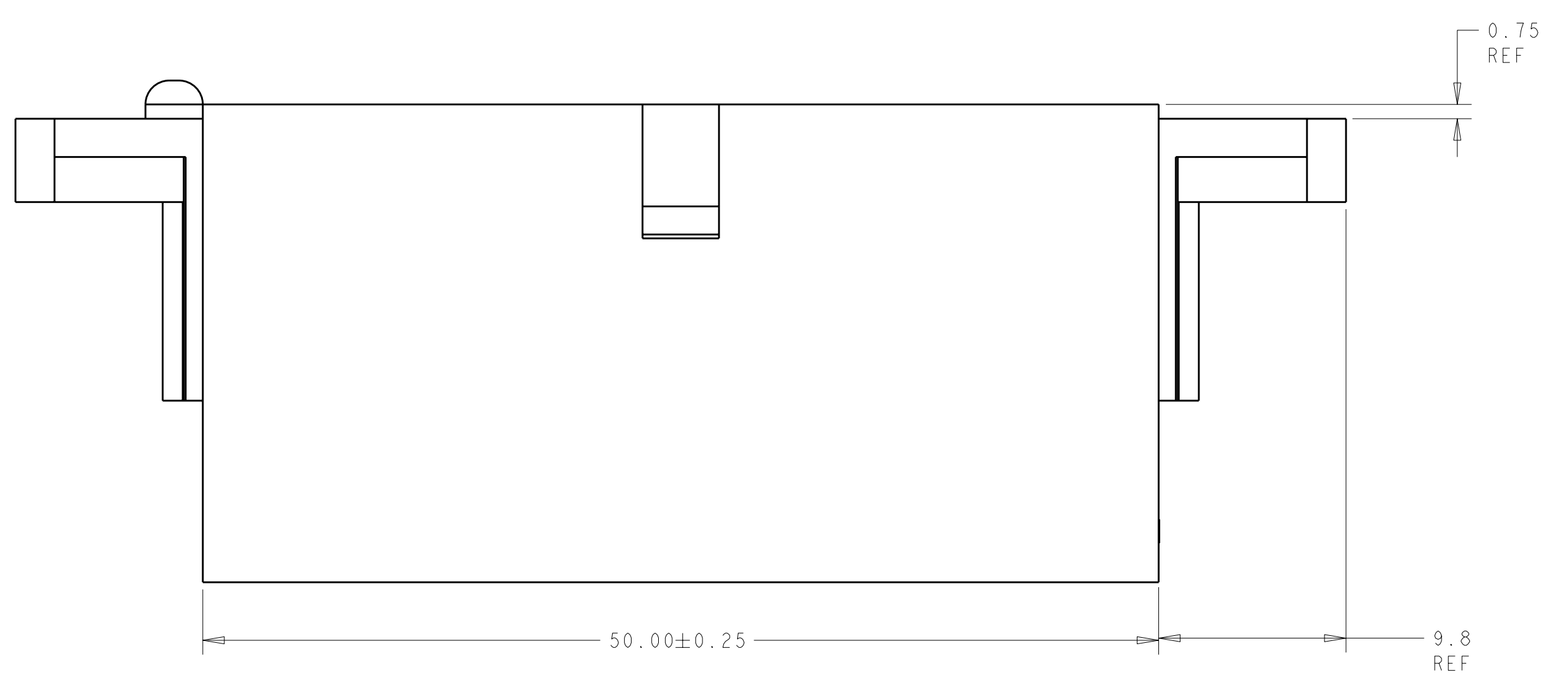
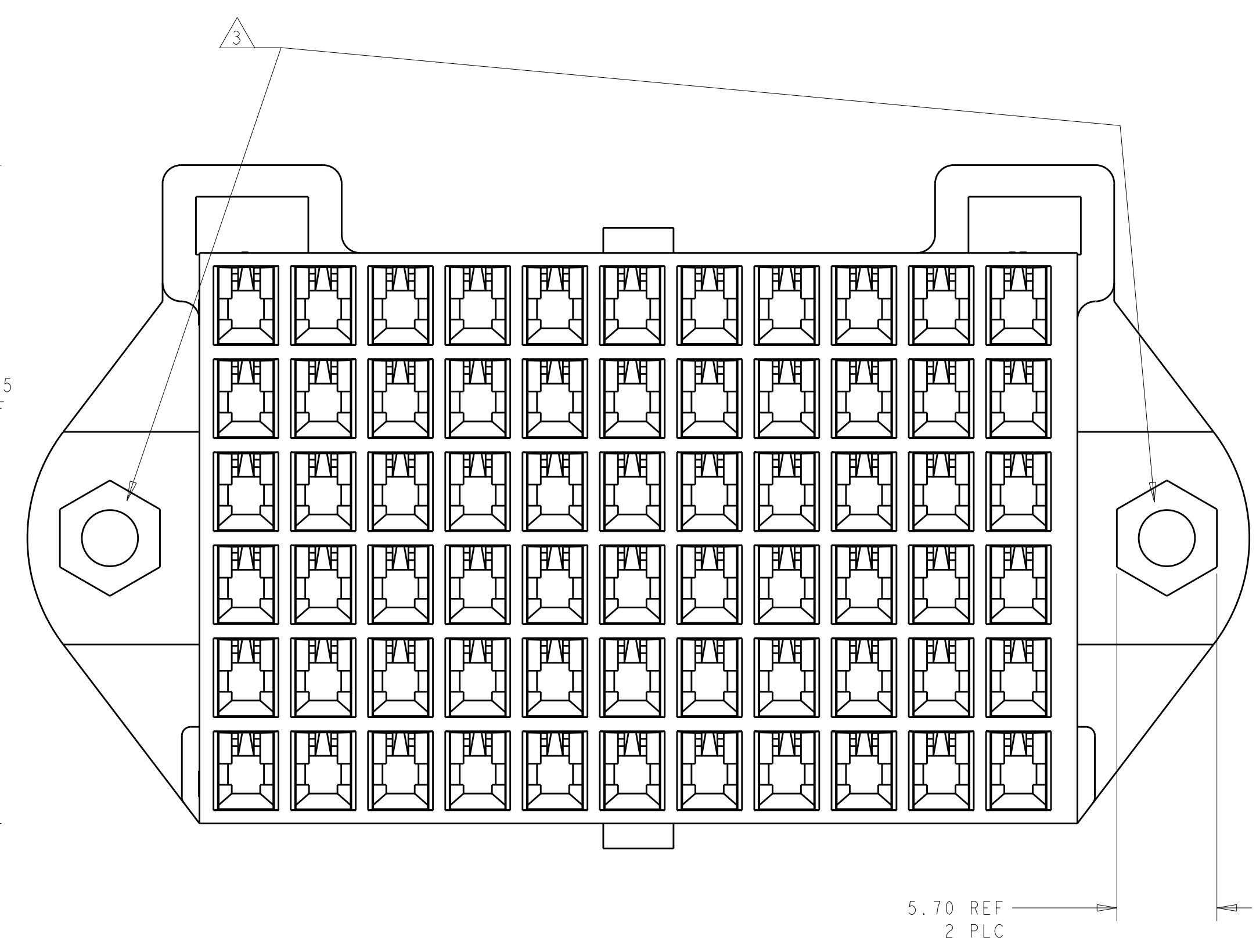
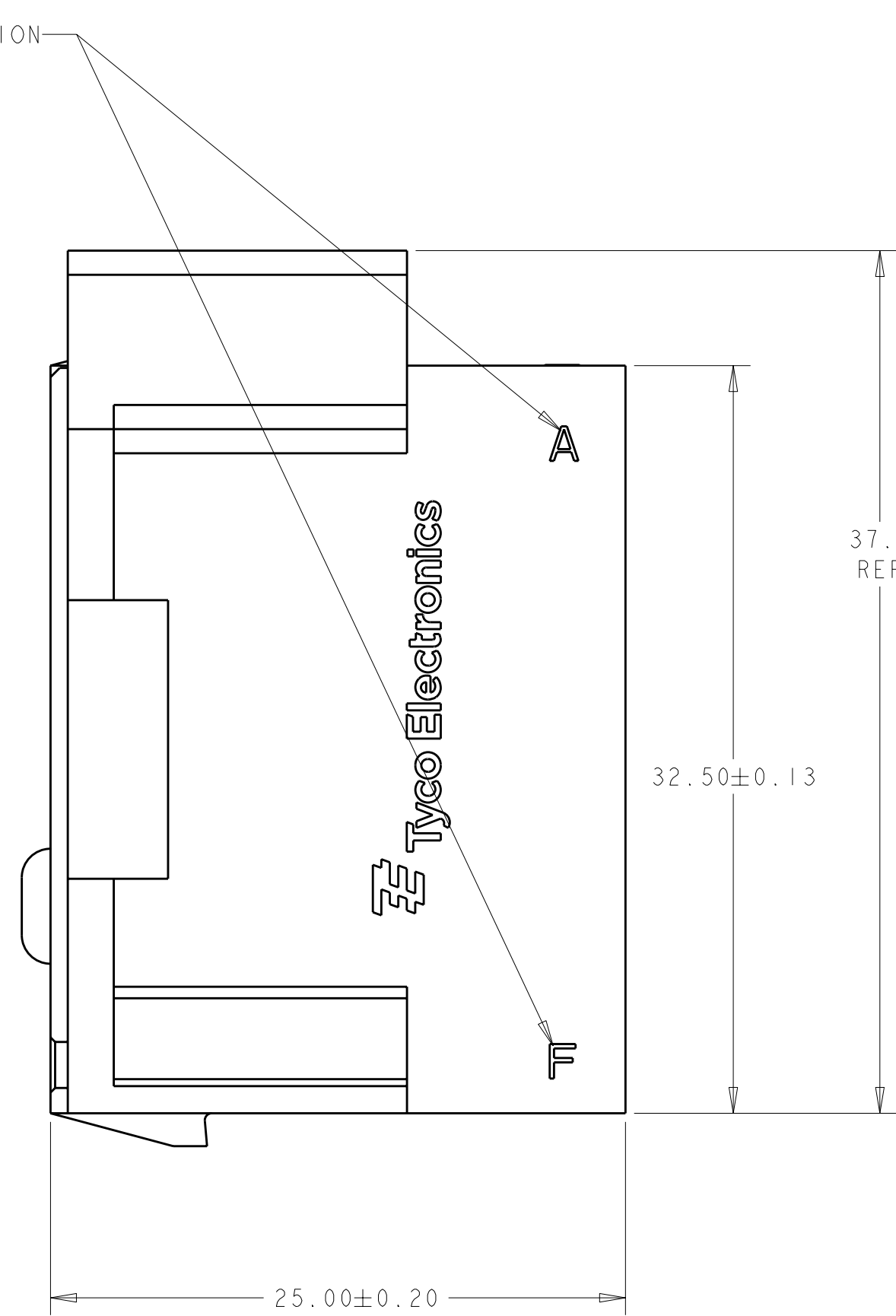
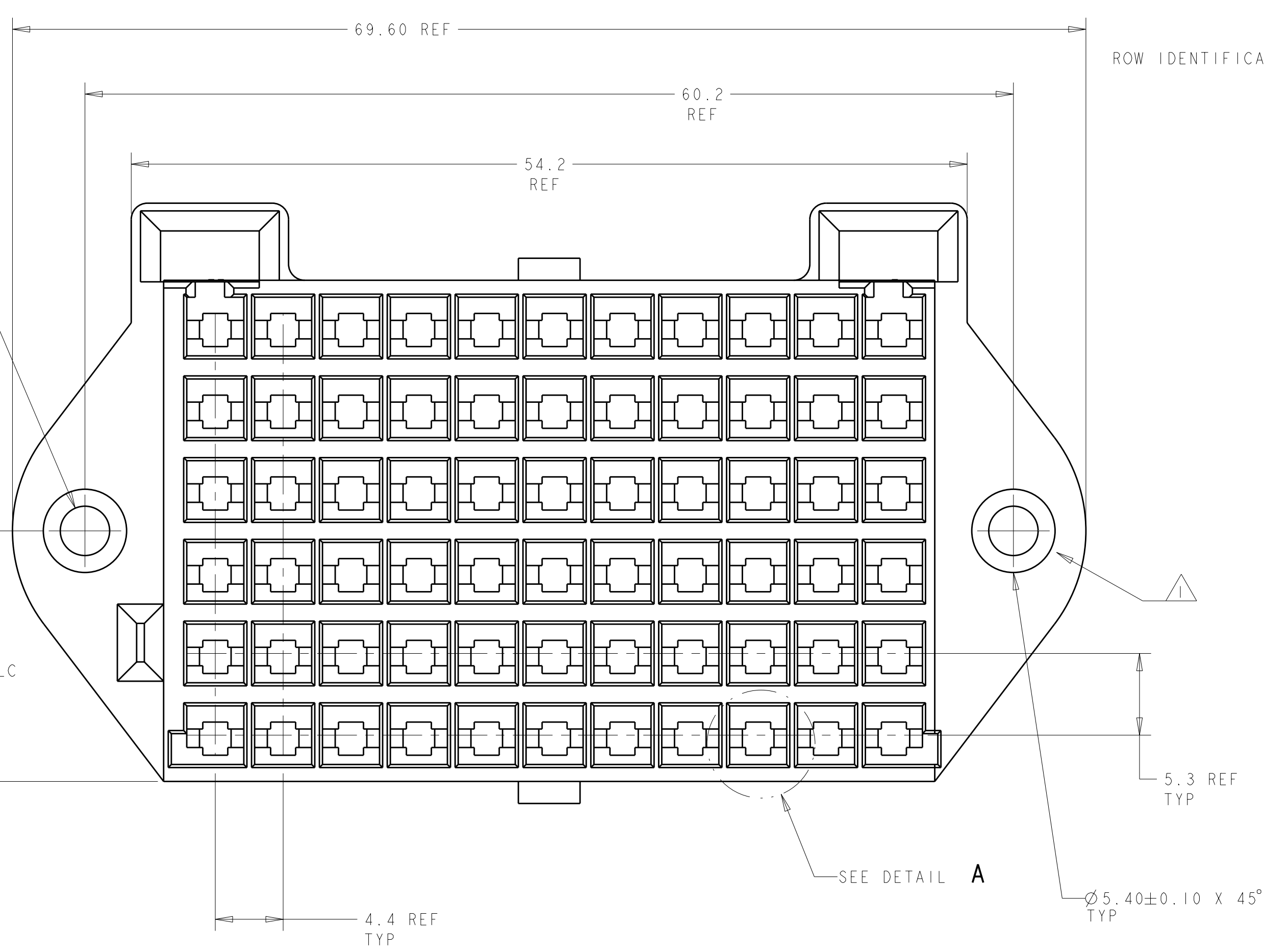


LOC		DIST		REVISIONS			
REV	DATE	BY	CHK	DESCRIPTION	DATE	OWN	APVD
A				RELEASED PER ECO-07-017382	01AUG2007	WS	AF



DETAIL A
SCALE 12:1



- 1. PBT UL94V-0.
- 2. ALL SHARP CORNERS ON PANEL CUT-OUT MAY HAVE A R0.1 MAX.
- 3. ALLOWS FOR A STYLE 1 M3 HEX NUT.

CONFIDENTIAL

1934143-1
PART NUMBER

**THIS PRODUCT HAS NOT COMPLETED
VALIDATION TESTING**

DIMENSIONS: mm		TOLERANCES UNLESS OTHERWISE SPECIFIED: 9 PLC ± 1 PLC ± 2 PLC ± 3 PLC ± 4 PLC ± ANGLES ± FINISH ±		DWN C. RITTER 01FEB2006 CHK R. WHITEMAN 01FEB2006 APVD	tyco Electronics Tyco Electronics Harrisburg, PA 17105-3608
MATERIAL: - FINISH: -		PRODUCT SPEC: 108-2248 APPLICATION SPEC: 114-13195 WEIGHT: -		NAME: 66 POSITION PLUG HOUSING AMP-DUAC UPC SIZE: A CAGE CODE: 100779 DRAWING NO: C=1934143 RESTRICTED TO: -	
CUSTOMER DRAWING				SCALE: 1:1	SHEET 1 OF 2 REV A

