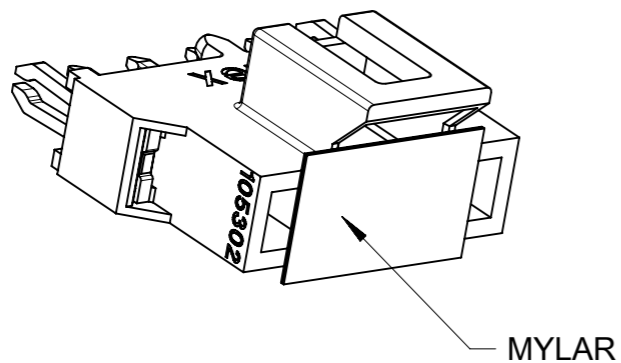
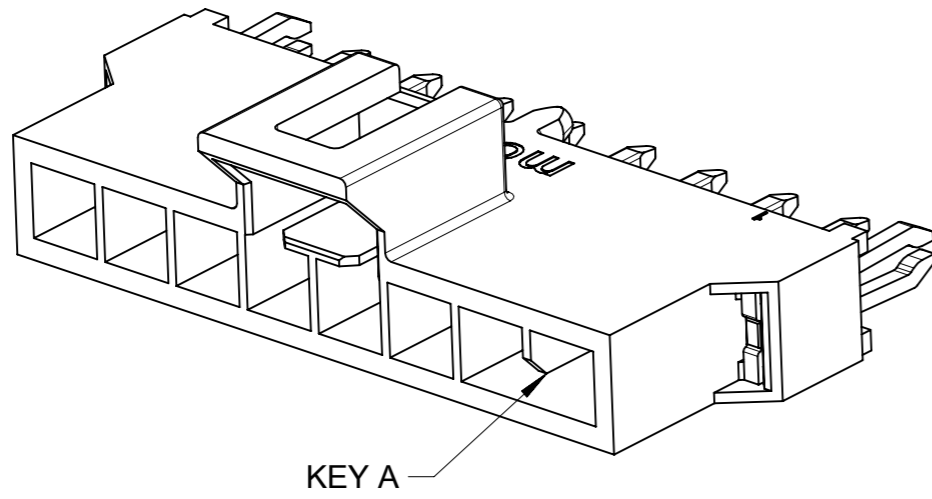


RECOMMENDED PCB(CONNECTOR SIDE VIEW)
THICKNESS=1.6 TO 2.4 MM.

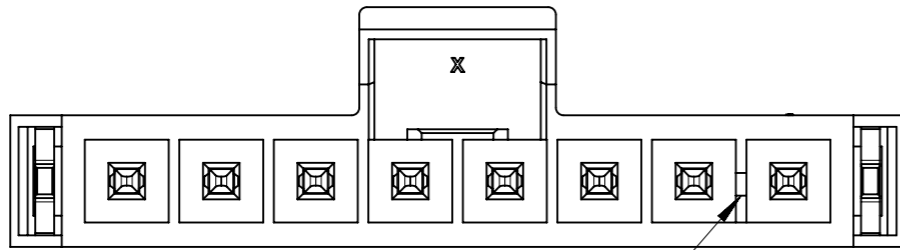
ONLY FOR CKT 3, 5, 7
OTHER DIMENSIONS REFER TO LEFT VIEWS.



FUNCTIONAL SYMBOLS	THIS DRAWING CONTAINS INFORMATION THAT IS PROPRIETARY TO MOLEX ELECTRONIC TECHNOLOGIES, LLC AND SHOULD NOT BE USED WITHOUT WRITTEN PERMISSION		CURRENT REV DESC:		molex
	$\nabla_A = 0$ $\nabla_E = 0$ $\nabla_V = 0$	DIMENSION UNITS: mm SCALE: 5:1	EC NO: 648137 DRWN: GLLI CHK'D: YXZHENG APPR: YXZHENG		
DIVISIONAL SYMBOLS	GENERAL TOLERANCES (UNLESS SPECIFIED)		2020/10/30		PRODUCT CUSTOMER DRAWING
	ANGULAR TOL $\pm 3.0^\circ$		2020/11/09		
	4 PLACES \pm		2020/11/09		DOCUMENT NUMBER
	3 PLACES ± 0.1		INITIAL REVISION:		DOC TYPE
2 PLACES ± 0.2		DRWN: GLLI		DOC PART	
1 PLACE ± 0.3		APPR: YXZHENG		REVISION	
0 PLACES \pm		2019/09/24		1053111000-SD	
DRAFT WHERE APPLICABLE MUST REMAIN WITHIN DIMENSIONS		THIRD ANGLE PROJECTION	DRAWING	SERIES	MATERIAL NUMBER
			A3-SIZE	105311	CUSTOMER
					GENERAL MARKET
					SHEET NUMBER
					1 OF 5

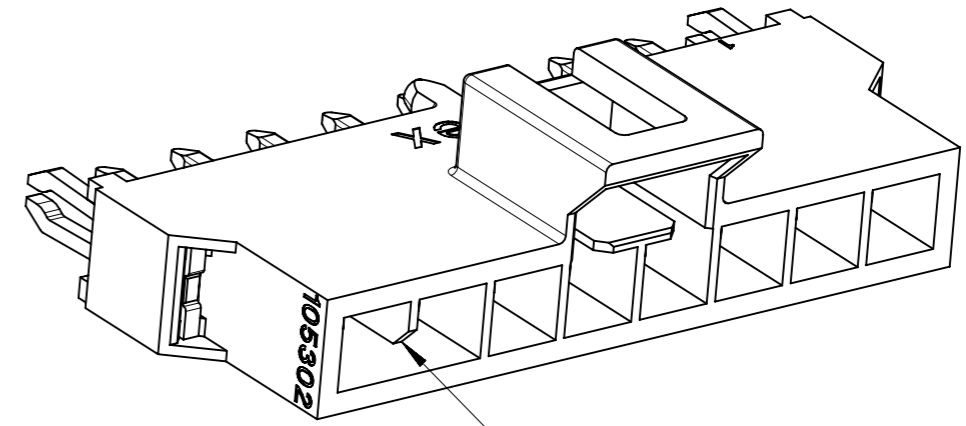


KEY A

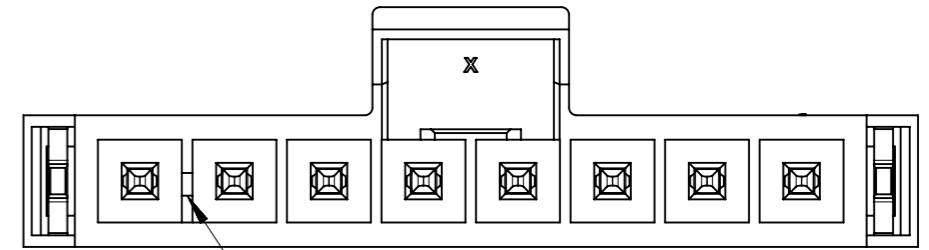


KEY A

BLACK



KEY B



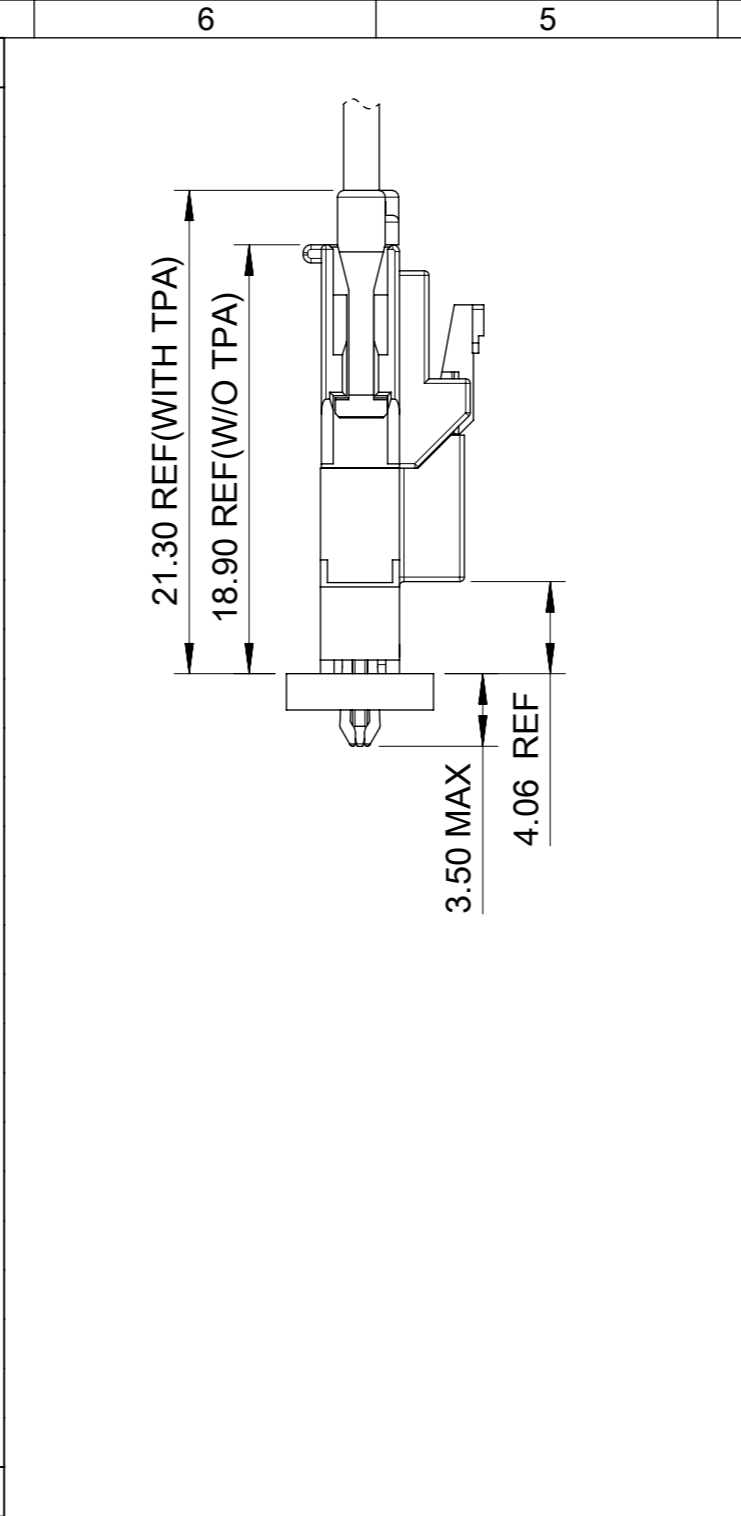
KEY B

NATURAL

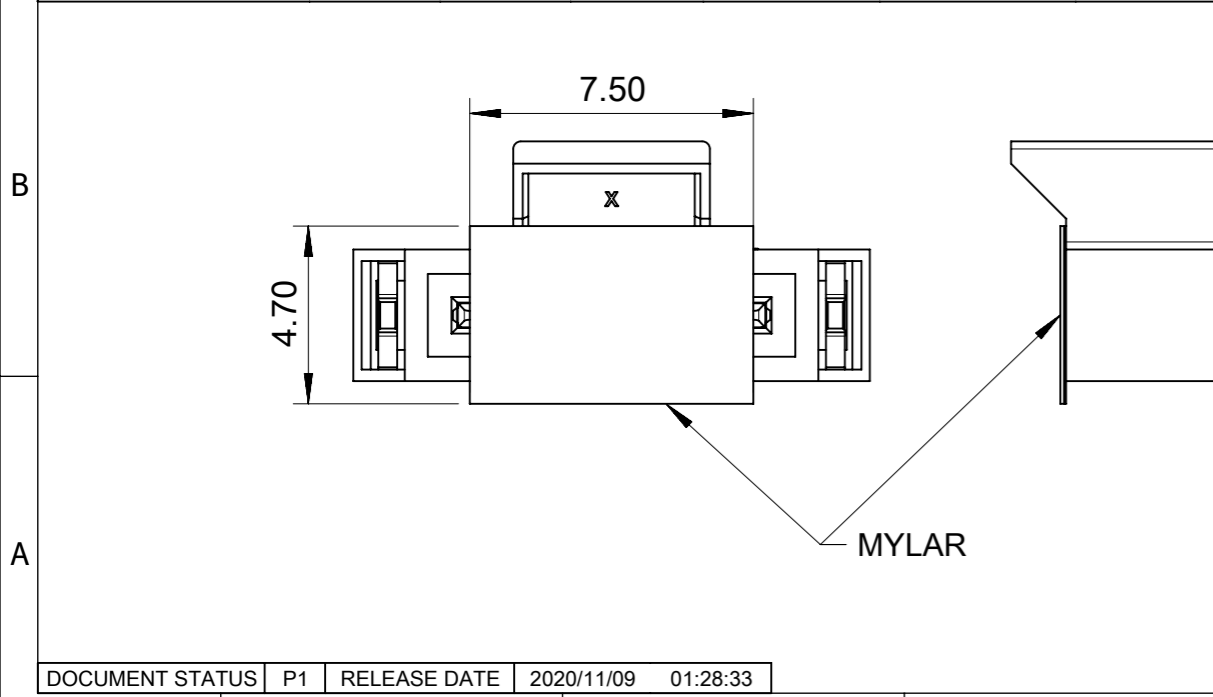
COLOR OPTION

FUNCTIONAL SYMBOLS	THIS DRAWING CONTAINS INFORMATION THAT IS PROPRIETARY TO MOLEX ELECTRONIC TECHNOLOGIES, LLC AND SHOULD NOT BE USED WITHOUT WRITTEN PERMISSION		CURRENT REV DESC:		molex						
	▽A = 0	mm						SCALE 5:1			
▽E = 0	GENERAL TOLERANCES (UNLESS SPECIFIED)		EC NO: 648137 DRWN: GLLI 2020/10/30 CHK'D: YXZHENG 2020/11/09 APPR: YXZHENG 2020/11/09		HEADER OF NANO-FIT, S/R, VERTICAL, CLIP POWER CONNECTOR						
▽E = 0	ANGULAR TOL ± 3.0°										
DIVISIONAL SYMBOLS	4 PLACES	±			INITIAL REVISION: DRWN: GLLI 2019/09/24 APPR: YXZHENG 2020/03/16		DOCUMENT NUMBER		DOC TYPE	DOC PART	REVISION
	3 PLACES	±					1053111000-SD		PSD	000	C
	2 PLACES	±	DRAFT WHERE APPLICABLE MUST REMAIN WITHIN DIMENSIONS				MATERIAL NUMBER		CUSTOMER		SHEET NUMBER
1 PLACE	±	THIRD ANGLE PROJECTION		DRAWING	SERIES	GENERAL MARKET		2 OF 5			
0 PLACES	±	A3-SIZE		105311							

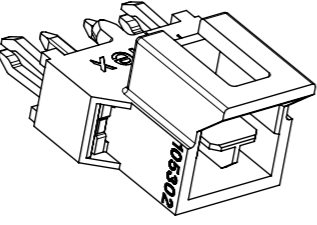
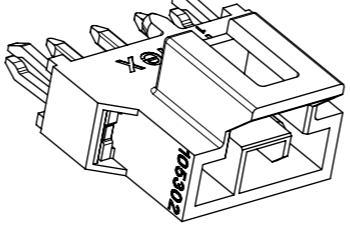
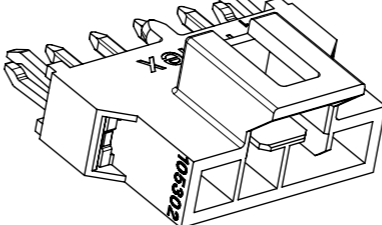
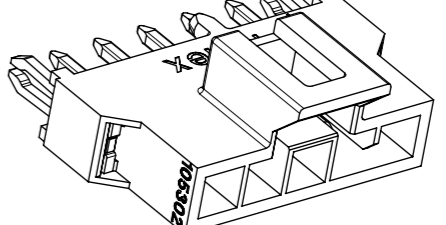
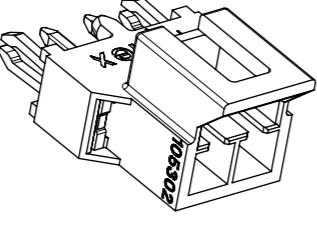
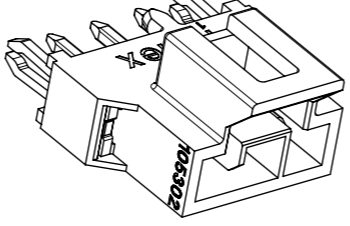
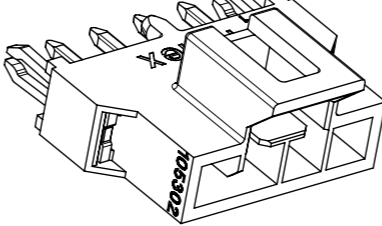
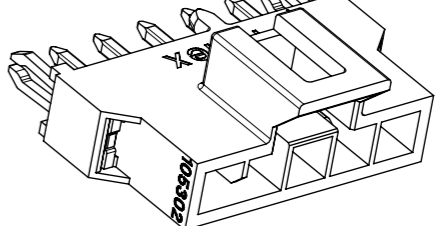
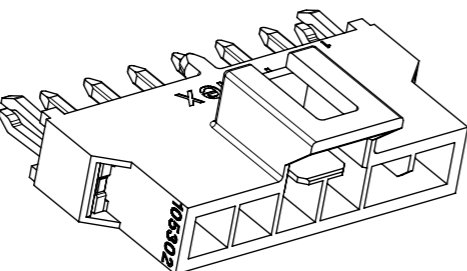
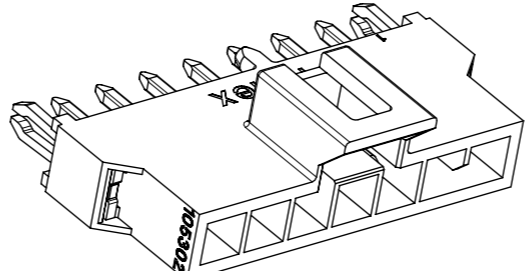
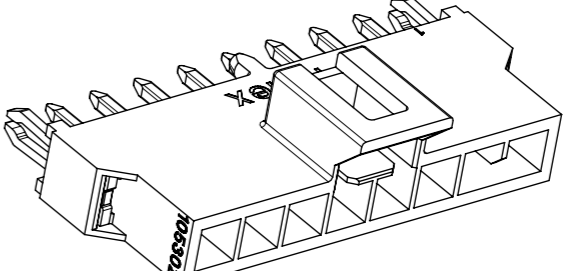
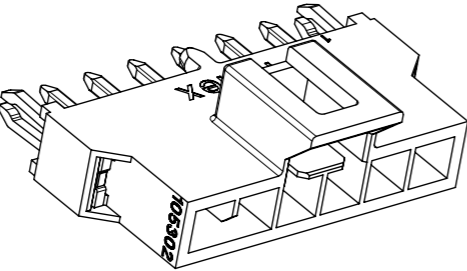
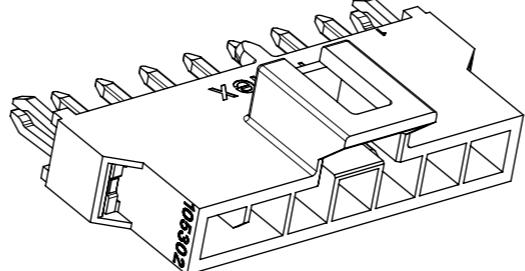
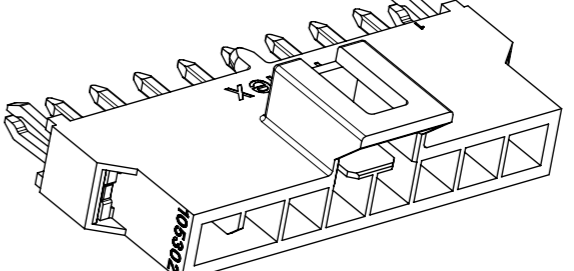
10	9	8	7	6	5	4	3	2	1
PART NUMBER	DIM 'A'	DIM 'B'	DIM 'C'	CKT SIZE	PLATING	MYLAR			
105311-3502	8.66	5.94	6.84	2	TIN				
105311-3503	11.16	8.44	9.34	3					
105311-3504	13.66	10.94	11.84	4					
105311-3505	16.16	13.44	14.34	5					
105311-3506	18.66	15.94	16.84	6					
105311-3507	21.16	18.44	19.34	7					
105311-3508	23.66	20.94	21.84	8					
105311-3702	8.66	5.94	6.84	2			GOLD 0.38		
105311-3703	11.16	8.44	9.34	3					
105311-3704	13.66	10.94	11.84	4					
105311-3705	16.16	13.44	14.34	5					
105311-3706	18.66	15.94	16.84	6					
105311-3707	21.16	18.44	19.34	7					
105311-3708	23.66	20.94	21.84	8					
105311-3602	8.66	5.94	6.84	2	GOLD 0.76	YES			
105311-3603	11.16	8.44	9.34	3					
105311-3604	13.66	10.94	11.84	4					
105311-3605	16.16	13.44	14.34	5					
105311-3606	18.66	15.94	16.84	6					
105311-3607	21.16	18.44	19.34	7					
105311-3608	23.66	20.94	21.84	8					
105311-3802	8.66	5.94	6.84	2			GOLD 0.76 + LUBE		
105311-3803	11.16	8.44	9.34	3					
105311-3804	13.66	10.94	11.84	4					
105311-3805	16.16	13.44	14.34	5					
105311-3806	18.66	15.94	16.84	6					
105311-3807	21.16	18.44	19.34	7					
105311-3808	23.66	20.94	21.84	8					
COLOR: BLACK									



10	9	8	7	6	5	4	3	2	1
PART NUMBER	DIM 'A'	DIM 'B'	DIM 'C'	CKT SIZE	PLATING	MYLAR			
105311-4502	8.66	5.94	6.84	2	TIN				
105311-4503	11.16	8.44	9.34	3					
105311-4504	13.66	10.94	11.84	4					
105311-4505	16.16	13.44	14.34	5					
105311-4506	18.66	15.94	16.84	6					
105311-4507	21.16	18.44	19.34	7					
105311-4508	23.66	20.94	21.84	8					
105311-4702	8.66	5.94	6.84	2			GOLD 0.38		
105311-4703	11.16	8.44	9.34	3					
105311-4704	13.66	10.94	11.84	4					
105311-4705	16.16	13.44	14.34	5					
105311-4706	18.66	15.94	16.84	6					
105311-4707	21.16	18.44	19.34	7					
105311-4708	23.66	20.94	21.84	8					
105311-4602	8.66	5.94	6.84	2	GOLD 0.76	YES			
105311-4603	11.16	8.44	9.34	3					
105311-4604	13.66	10.94	11.84	4					
105311-4605	16.16	13.44	14.34	5					
105311-4606	18.66	15.94	16.84	6					
105311-4607	21.16	18.44	19.34	7					
105311-4608	23.66	20.94	21.84	8					
105311-4802	8.66	5.94	6.84	2			GOLD 0.76 + LUBE		
105311-4803	11.16	8.44	9.34	3					
105311-4804	13.66	10.94	11.84	4					
105311-4805	16.16	13.44	14.34	5					
105311-4806	18.66	15.94	16.84	6					
105311-4807	21.16	18.44	19.34	7					
105311-4808	23.66	20.94	21.84	8					
COLOR: NATURAL									



FUNCTIONAL SYMBOLS	THIS DRAWING CONTAINS INFORMATION THAT IS PROPRIETARY TO MOLEX ELECTRONIC TECHNOLOGIES, LLC AND SHOULD NOT BE USED WITHOUT WRITTEN PERMISSION			
	$\nabla_A = 0$ $\nabla_E = 0$ $\nabla_F = 0$	DIMENSION UNITS: mm SCALE: 5:1	CURRENT REV DESC:	
	GENERAL TOLERANCES (UNLESS SPECIFIED) ANGULAR TOL $\pm 3.0^\circ$		molex HEADER OF NANO-FIT, S/R, VERTICAL, CLIP POWER CONNECTOR	
	DIVISIONAL SYMBOLS 4 PLACES \pm 3 PLACES ± 0.1 2 PLACES ± 0.2 1 PLACE ± 0.3 0 PLACES \pm			
EC NO: 648137 DRWN: GLLI APPR: YXZHENG		2020/10/30 2020/11/09 2020/11/09	PRODUCT CUSTOMER DRAWING	
INITIAL REVISION: DRWN: GLLI APPR: YXZHENG		2019/09/24 2020/03/16		
DRAFT WHERE APPLICABLE MUST REMAIN WITHIN DIMENSIONS		THIRD ANGLE PROJECTION	DRAWING: A3-SIZE SERIES: 105311	DOCUMENT NUMBER: 1053111000-SD DOC TYPE: PSD DOC PART: 000 REVISION: C
MATERIAL NUMBER:		CUSTOMER: GENERAL MARKET		SHEET NUMBER: 3 OF 5

		2 CKT	3 CKT	4 CKT	5 CKT
F	BLACK				
E	NATURAL				
		6 CKT	7 CKT	8 CKT	
D	BLACK				
C	NATURAL				

FUNCTIONAL SYMBOLS	THIS DRAWING CONTAINS INFORMATION THAT IS PROPRIETARY TO MOLEX ELECTRONIC TECHNOLOGIES, LLC AND SHOULD NOT BE USED WITHOUT WRITTEN PERMISSION		CURRENT REV DESC:		molex				
	▽A = 0	DIMENSION UNITS: mm						SCALE: 3:1	
▽E = 0	GENERAL TOLERANCES (UNLESS SPECIFIED)		EC NO: 648137 DRWN: GLLI 2020/10/30 CHK'D: YXZHENG 2020/11/09 APPR: YXZHENG 2020/11/09		HEADER OF NANO-FIT, S/R, VERTICAL, CLIP POWER CONNECTOR				
▽E = 0	ANGULAR TOL ± 3.0°								
DIVISIONAL SYMBOLS	4 PLACES	±			INITIAL REVISION: DRWN: GLLI 2019/09/24 APPR: YXZHENG 2020/03/16		PRODUCT CUSTOMER DRAWING		
	3 PLACES	± 0.1					DOCUMENT NUMBER: 1053111000-SD		
	2 PLACES	± 0.2					DOC TYPE: PSD		
1 PLACE	± 0.3	THIRD ANGLE PROJECTION		DOC PART: 000					
0 PLACES	±			REVISION: C					
DRAFT WHERE APPLICABLE MUST REMAIN WITHIN DIMENSIONS		DRAWING: A3-SIZE		SERIES: 105311		MATERIAL NUMBER: GENERAL MARKET			
						SHEET NUMBER: 4 OF 5			

NOTES FOR ALL PARTS

1> MATERIAL:
 HOUSING: LCP, UL 94V-0; TERMINAL: BRASS; SOLDER CLIP: BRASS.

2> PLATING FINISHED:
 TERMINAL:
 CONTACT AREA: a. REFLOW MATTE TIN 1.5MICRONS MIN;
 b. GOLD 0.38 MICRONS MIN;
 c. GOLD 0.76 MICRONS MIN.

SOLDER AREA: MATTE TIN 1.5 MICRONS MIN, UNDER PLATING NICKEL 1.25 MICRONS MIN.

SOLDER CLIP: MATTE TIN 2.5 MICRONS MIN, UNDER PLATING NICKEL 1.25 MICRONS MIN.

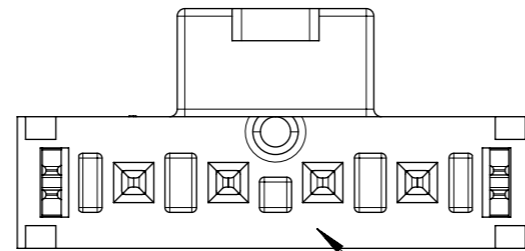
3> PRODUCT SPECIFICATION: PS-105300-100.

4> PACKAGE: TAPE REEL, 1053111000-PK.

5> PRODUCT MATE WITH SERIES OF 105307(RECEPTACLE), 105300(CRIMP TERMINAL).

6> PARTS CONFORM TO CLASS 'B'REQUIREMENTS OF COSMETIC SPECIFICATION PS-45499-002.

7> DISCOLORATION IN THE BANDOLIER PIN CARRIER AREA OF THE PIN IS INHERENT TO THE PLATING PROCESS AND IS DUE TO THE MASKING DEFECT OF THE CARRIER, THIS DISCOLORATION IS IN A NON-FUNCTION AREA OF THE PIN AND WILL NOT AFFECT THE PERFORMANCE OF THE HEADER ASSEMBLY.



IF ANY NUMBER MARK APPEARS ON THIS SURFACE, PLEASE DISREGARD IT, IT IS NO ANY FUCTION AND NO ANY RELATION TO PIN NUMBER, IT IS JUST FOR MOLDING IDENDIFICATION.

FUNCTIONAL SYMBOLS	THIS DRAWING CONTAINS INFORMATION THAT IS PROPRIETARY TO MOLEX ELECTRONIC TECHNOLOGIES, LLC AND SHOULD NOT BE USED WITHOUT WRITTEN PERMISSION		CURRENT REV DESC:					
	△/A = 0	mm						
FUNCTIONAL SYMBOLS	GENERAL TOLERANCES (UNLESS SPECIFIED)				EC NO: 648137 DRWN: GLLI 2020/10/30 CHK'D: YXZHENG 2020/11/09 APPR: YXZHENG 2020/11/09			
	△/E = 0	ANGULAR TOL ± 3.0°						
DIVISIONAL SYMBOLS	4 PLACES	±	INITIAL REVISION:		DOCUMENT NUMBER	DOC TYPE	DOC PART	REVISION
	3 PLACES	±	DRWN: GLLI 2019/09/24		1053111000-SD	PSD	000	C
	2 PLACES	±	APPR: YXZHENG 2020/03/16					
	1 PLACE	±	DRAFT WHERE APPLICABLE MUST REMAIN WITHIN DIMENSIONS					
			THIRD ANGLE PROJECTION	DRAWING	SERIES	MATERIAL NUMBER	CUSTOMER	SHEET NUMBER
				A3-SIZE	105311		GENERAL MARKET	5 OF 5