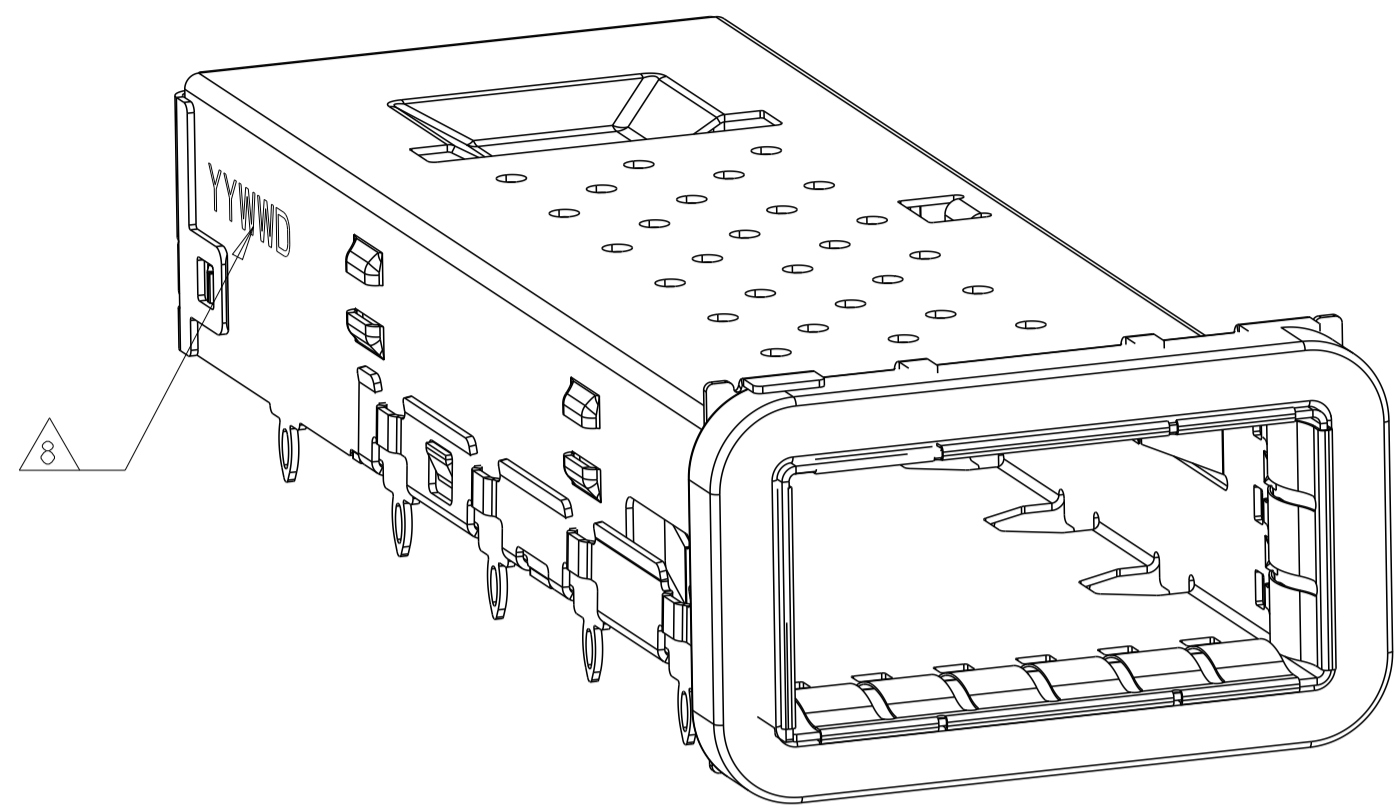
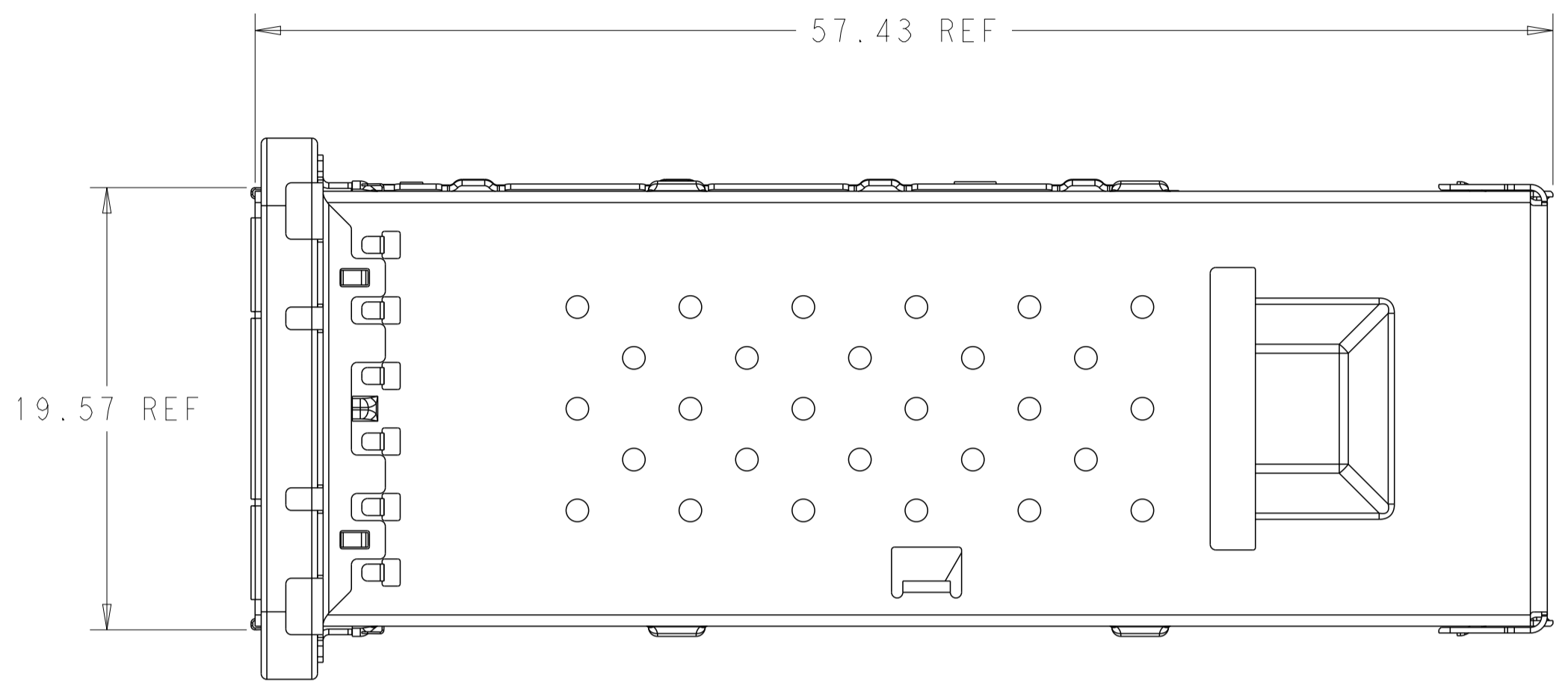


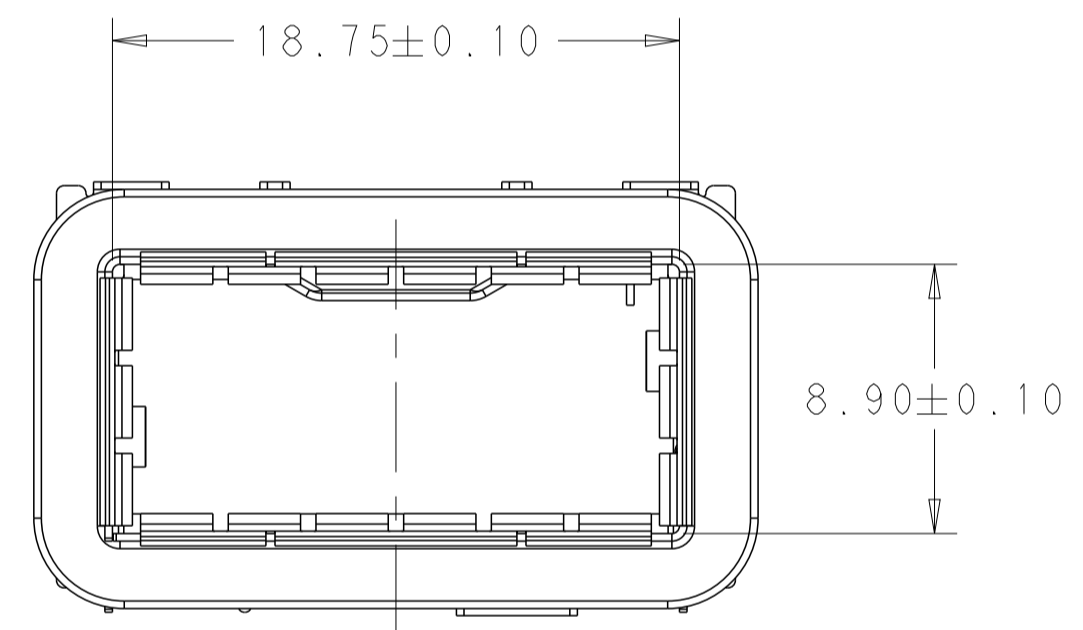
LOC		DIST		REVISIONS			
P	LTN	DESCRIPTION	DATE	DWN	APVD		
A		RELEASE	30DEC2015	JY	SH		
A1		REVISED PER ECN-22-163746	11JUL2022	IT	SZ		



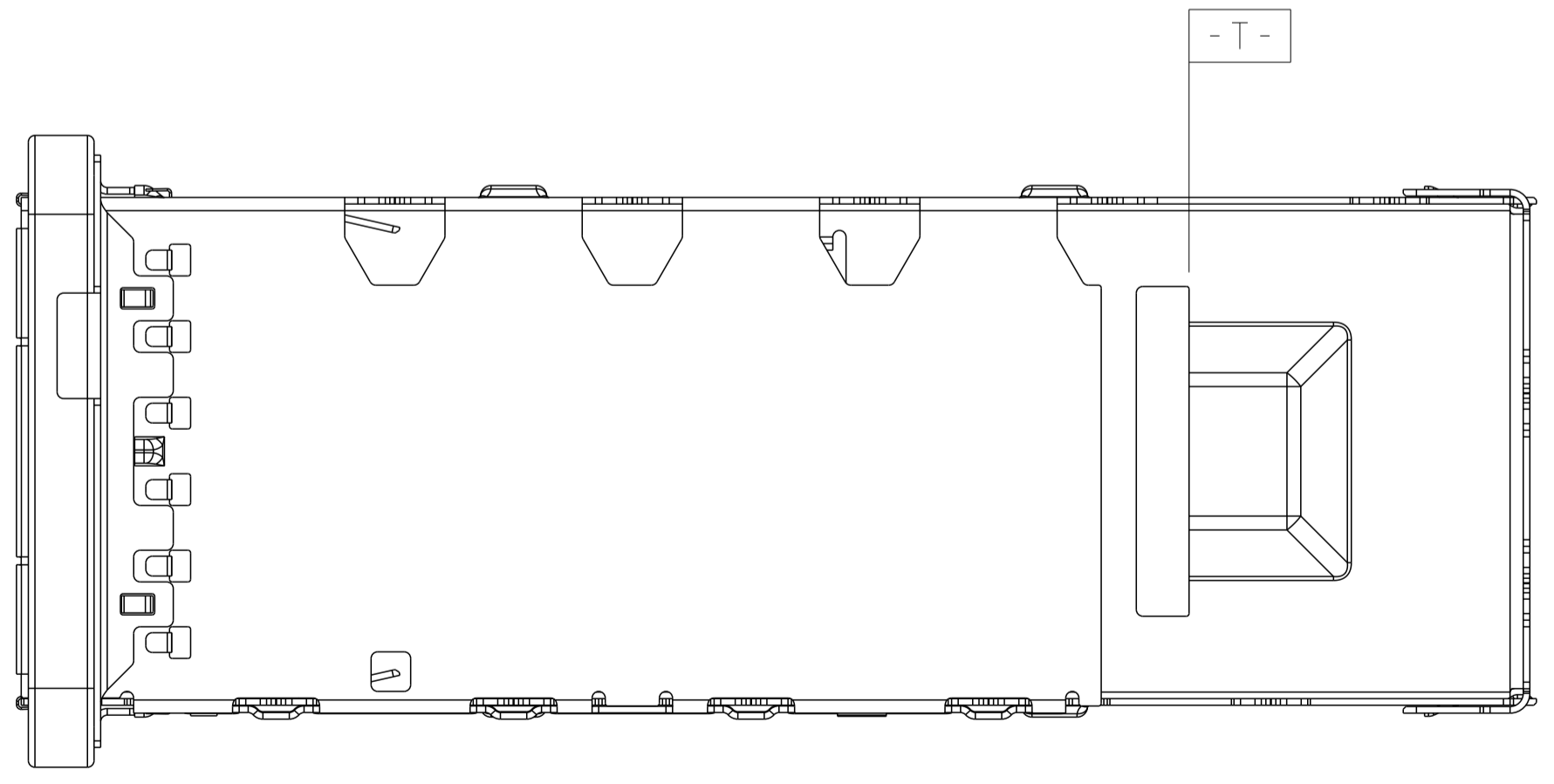
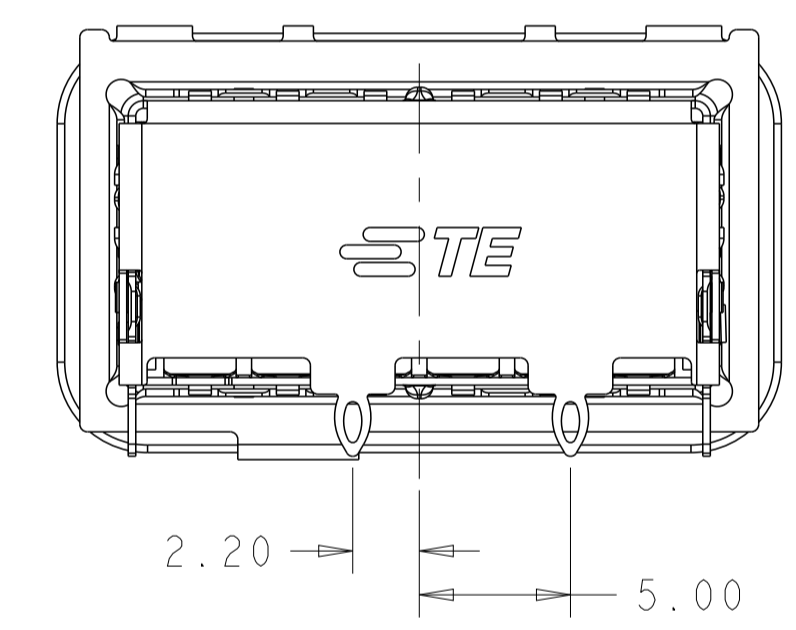
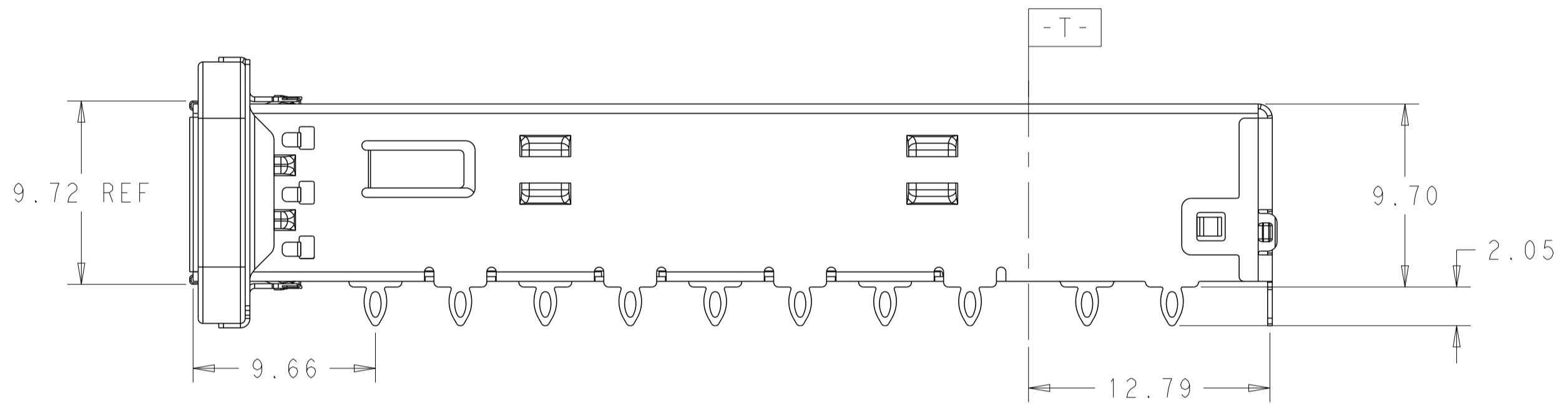
SCALE 4:1



- MATERIAL:
 CAGE MATERIAL : 0.25 THICK NICKEL SILVER.
 SPRING MATERIAL: COPPER ALLOY
 EMI GASKET: PLATED FILLED SILICONE
 - FINISH:
 SPRING: NICKEL PLATING
 - MATES WITH QSFP28 MSA COMPATIBLE TRANSCEIVER.
- ⚠ REFERENCE APPLICATION SPEC 114-32023 FOR RECOMMENDED DRILL HOLE DIAMETER AND PLATING THICKNESS.
- ⚠ DATUM AND BASIC DIMENSIONS ESTABLISHED BY CUSTOMERS.
- MINIMUM PC BOARD THICKNESS :
 SINGLES SIDED: 1.57 MIN
 DOUBLE SIDED: 3.00 MIN
- ⚠ DATUM **-A-** IS TOP SURFACE OF THE HOST BOARD.
- ⚠ DATE CODE (YYWWD) MARKED APPROXIMATELY AS SHOWN



SCALE 4:1



0	WITH	2170752-7
1	WITH	2170752-6
0	WITHOUT	2170752-5
1	WITHOUT	2170752-4
2	WITH	2170752-2
2	WITHOUT	2170752-1
# REAR PINS HEAT SINK OPEN		PART NUMBER

2170752-1 AS SHOWN

THIS DRAWING IS A CONTROLLED DOCUMENT.

DWN: JASON YANG 01APR2014
 CHK: SEAN HAN 30DEC2015

STE TE Connectivity

PRODUCT SPEC: CAGE ASSEMBLY, QSFP28 1X1, THRU BEZEL WITH EMI GASKET

APPLICATION SPEC: 108-19428

SIZE: 114-32023

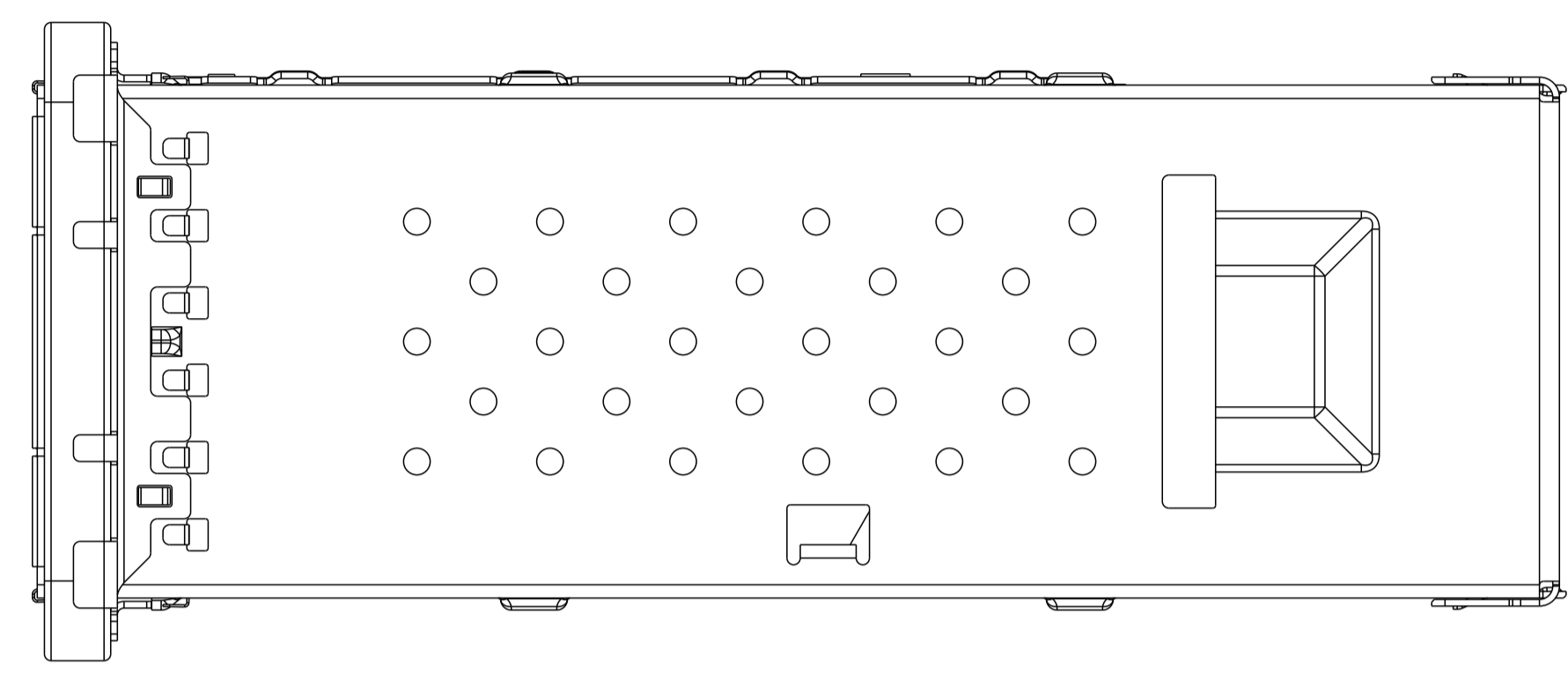
WEIGHT: A100779

CUSTOMER DRAWING

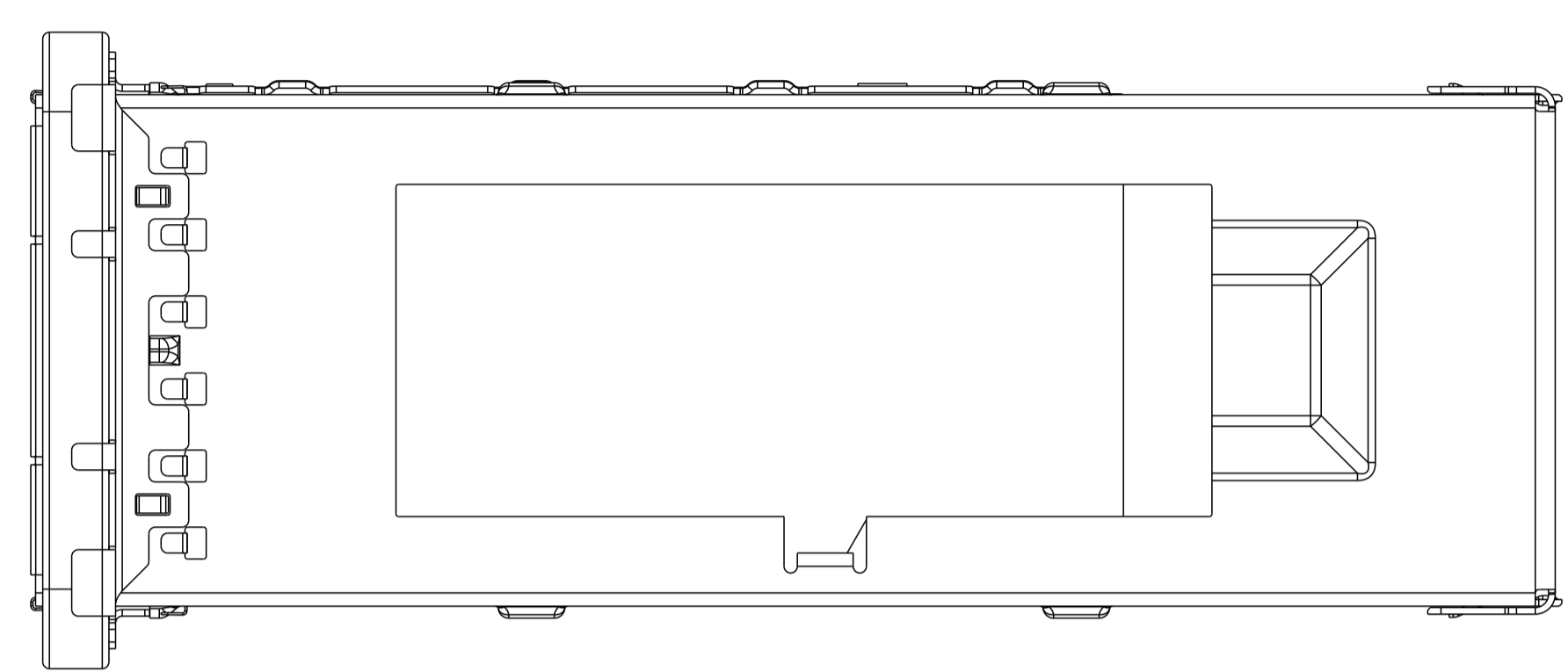
SCALE: 2:1 SHEET: 1 OF 5 REV: A1

LOC	DIST	REVISIONS			
P	LTN	DESCRIPTION	DATE	DWN	APVD
rev_sym_1	1866	8H6E111	rev.defect	y.	dwn_bppr_1
rev_sym_2	rev_desc_2		rev.defect	y.	dwn_bppr_2
rev_sym_3	rev_desc_3		rev.defect	y.	dwn_bppr_3
rev_sym_4	rev_desc_4		rev.defect	y.	dwn_bppr_4

HEAT SINK OPEN OPTIONS

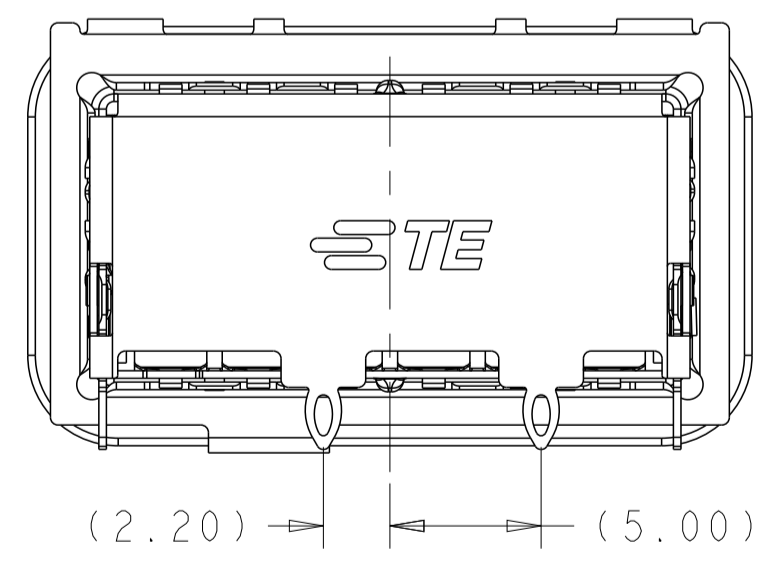


WITHOUT HEAT SINK OPEN
SCALE 4:1

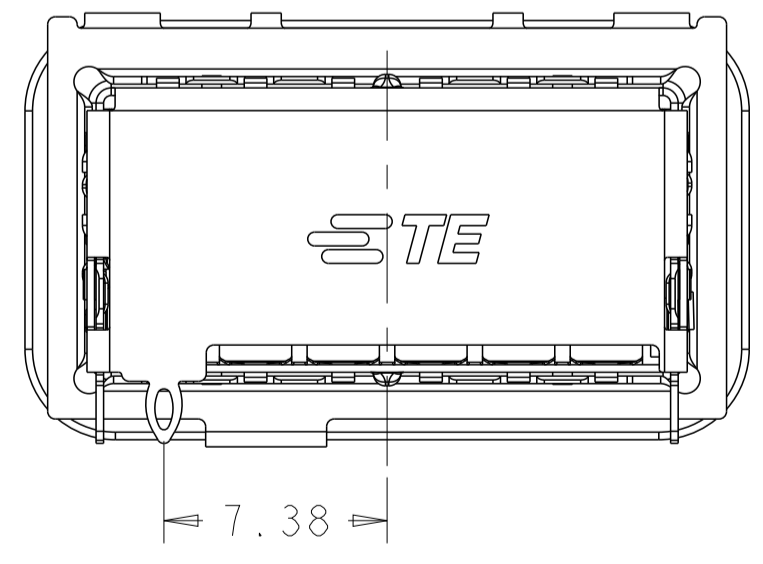


WITH HEAT SINK OPEN
SCALE 4:1

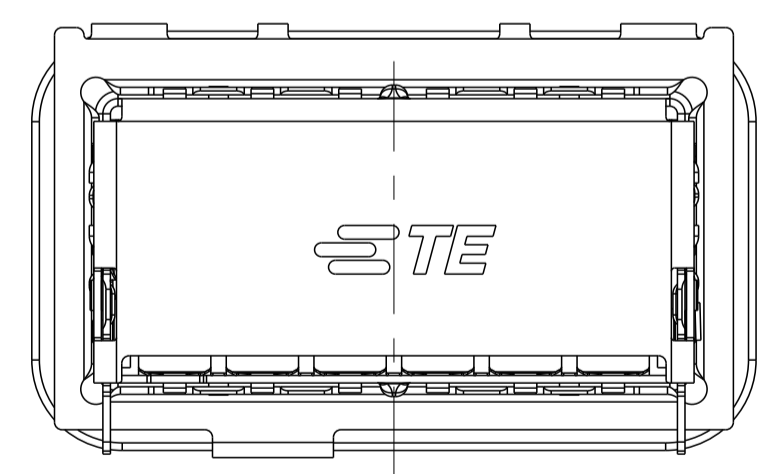
OF REAR LEGS OPTIONS



2 REAR LEGS VERSION
SCALE 4:1



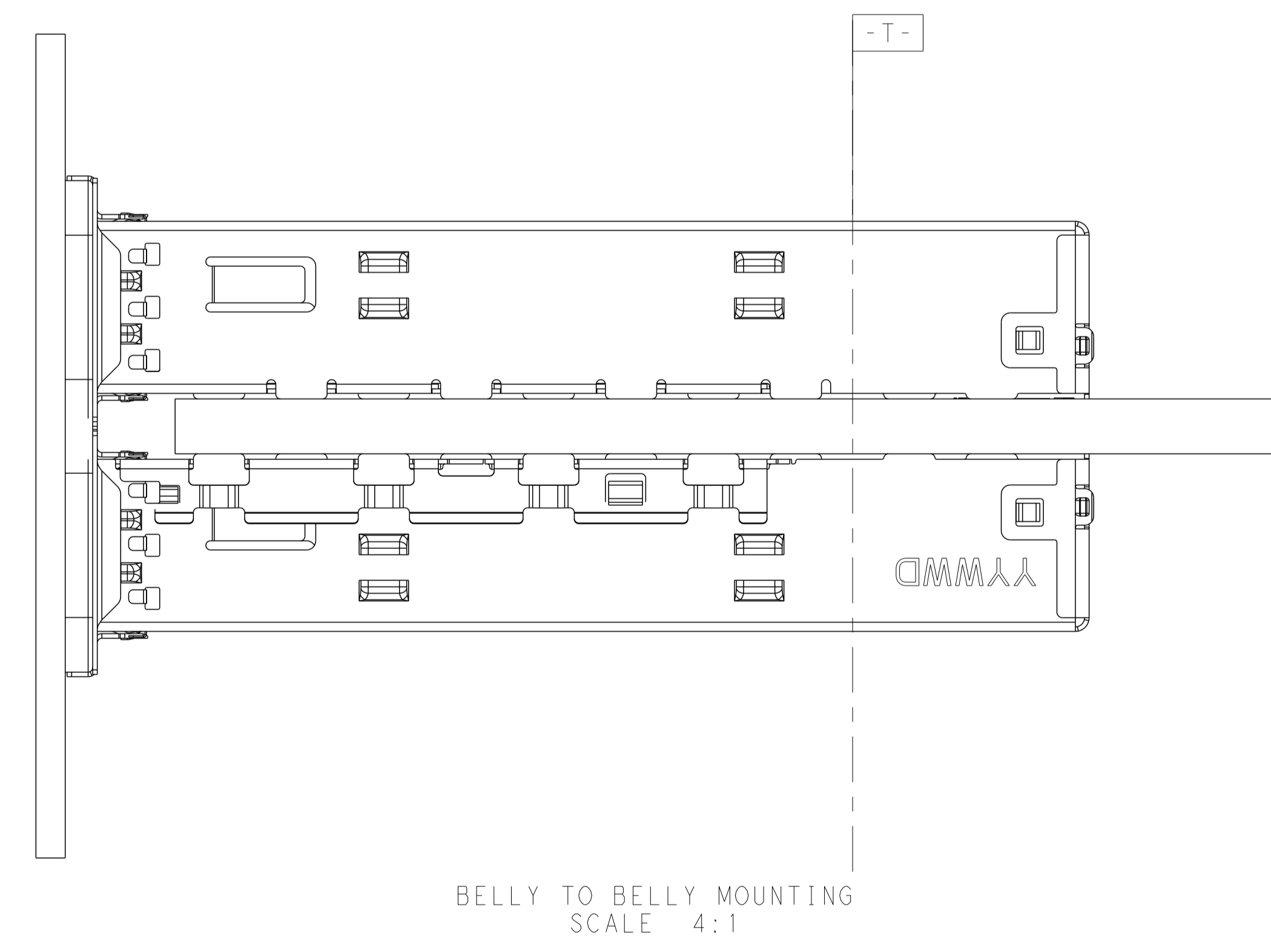
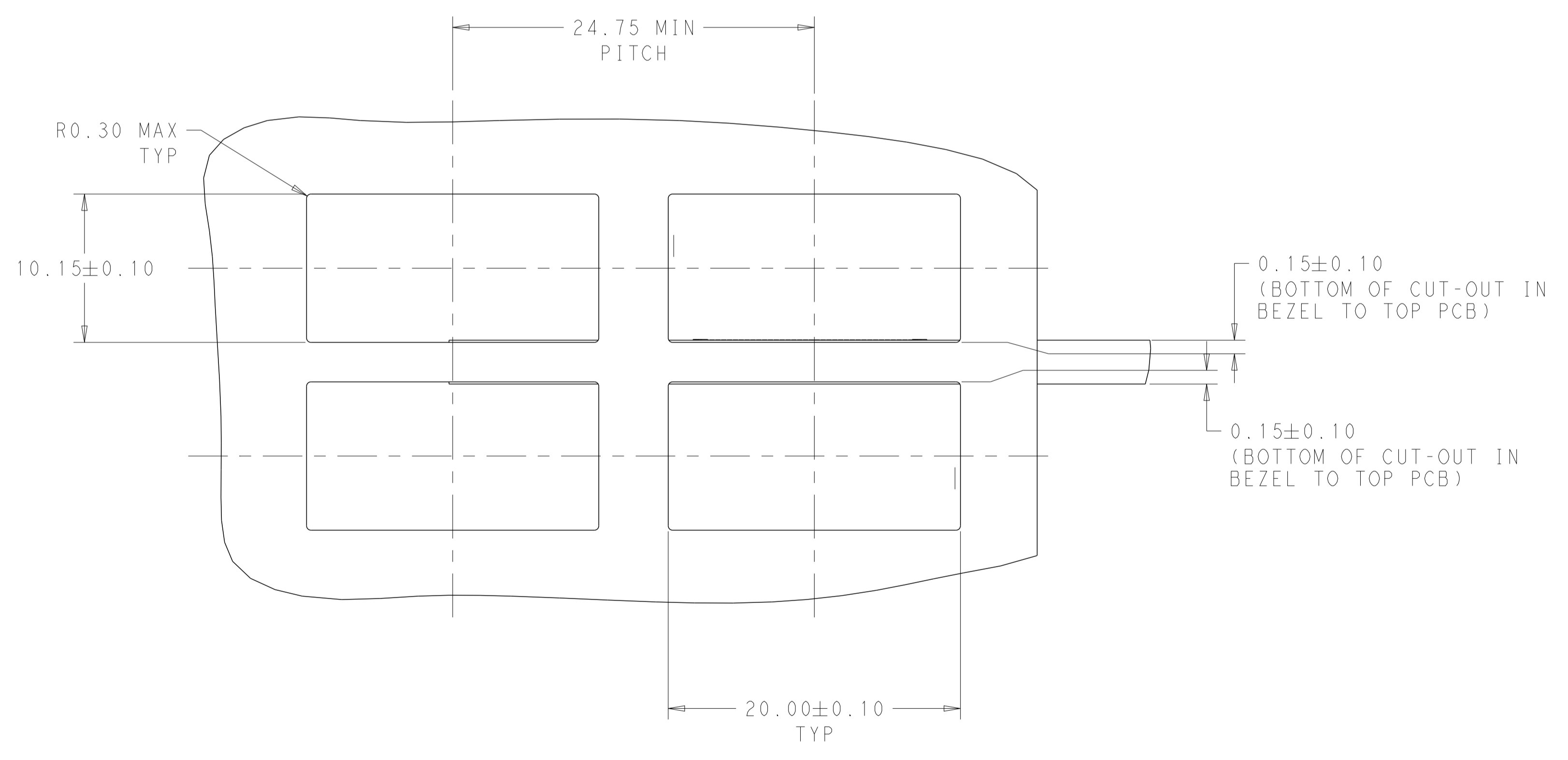
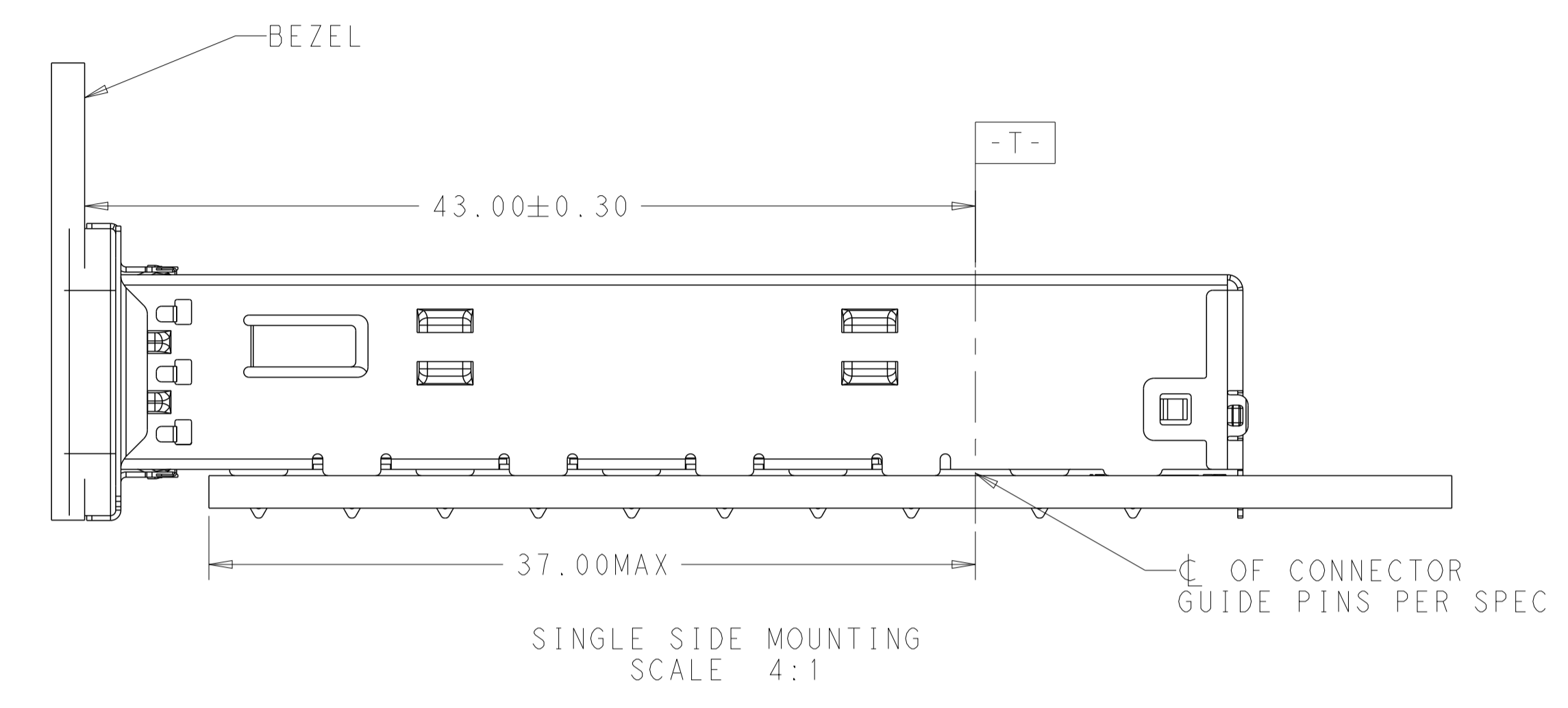
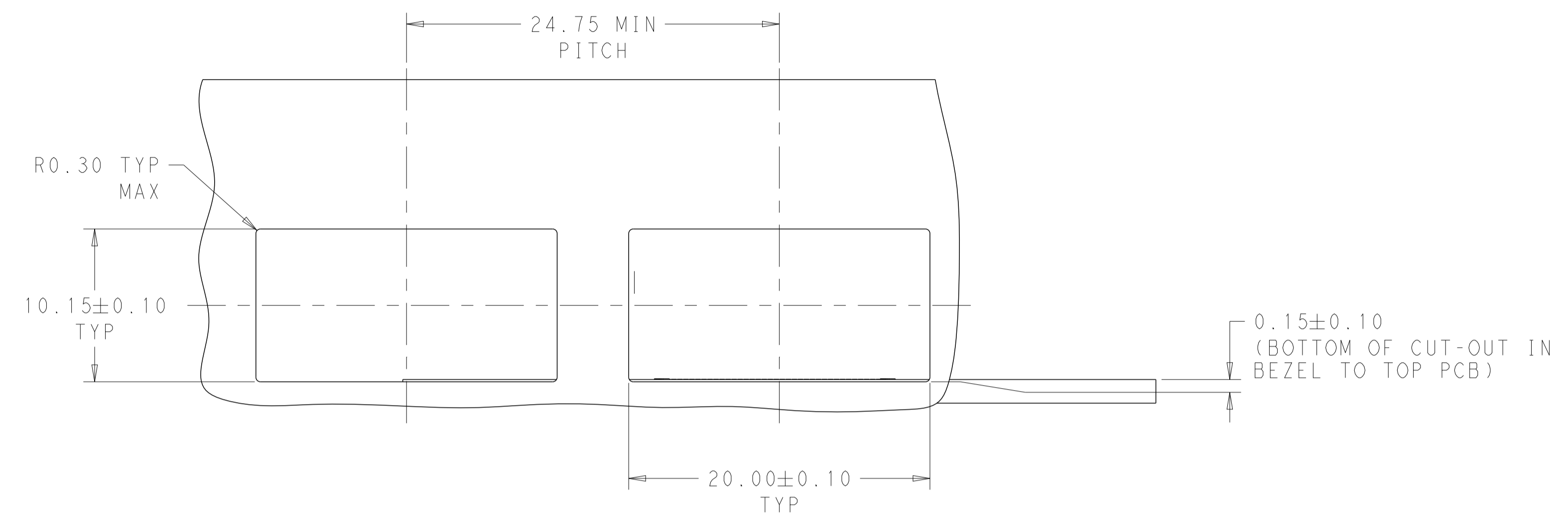
1 REAR LEG VERSION
SCALE 4:1



0 REAR LEG VERSION
SCALE 4:1

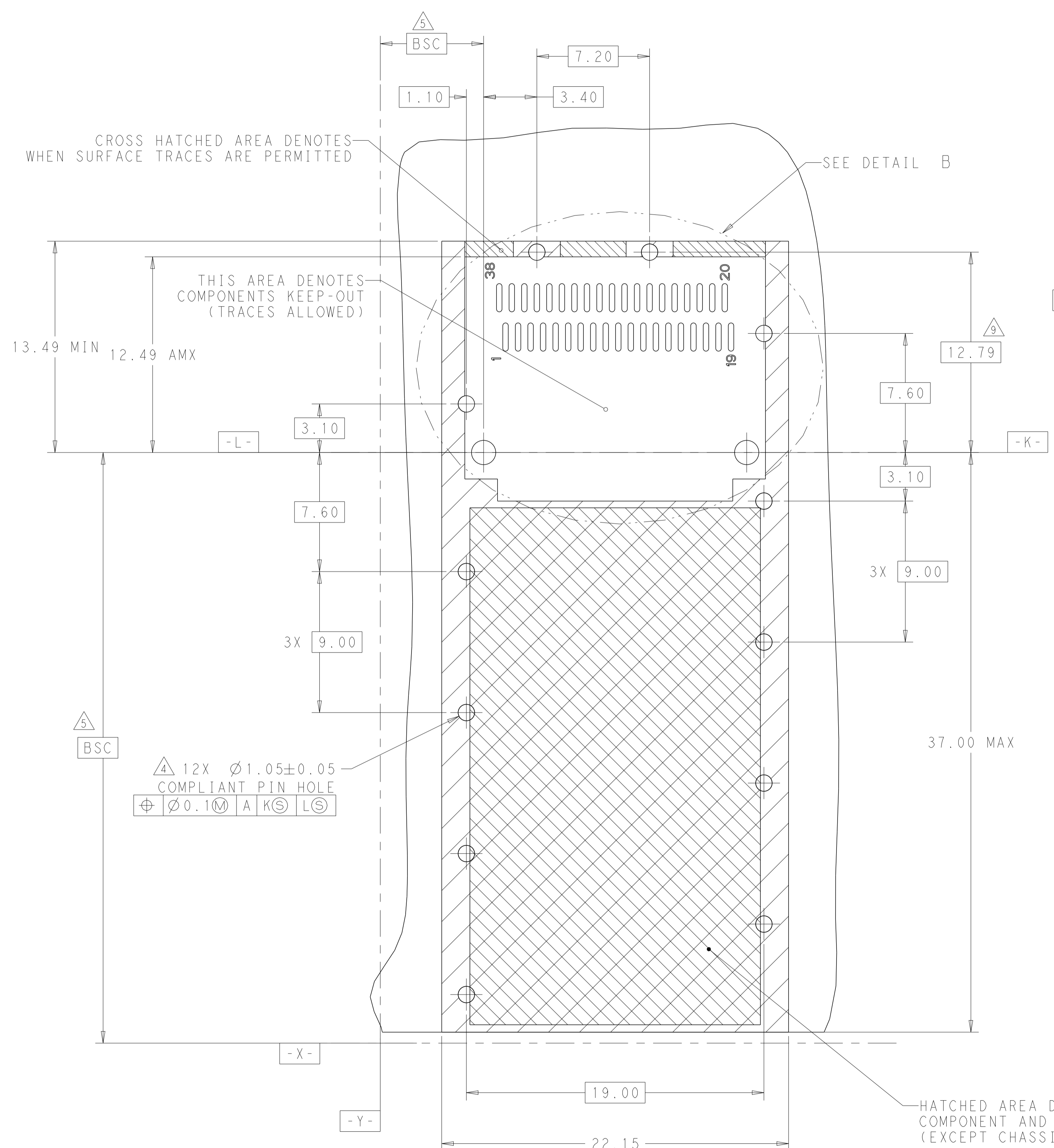
THIS DRAWING IS A CONTROLLED DOCUMENT.		DWN: JASON YANG 01APR2014 CHK: SEAN HAN 30DEC2015	TE Connectivity NAME: CAGE ASSEMBLY, QSFP28 1X1, THRU BEZEL WITH EMI GASKET PRODUCT SPEC: 108-19428 APPLICATION SPEC: - SIZE: 114-32023 WEIGHT: - MATERIAL: - FINISH: -	RESTRICTED TO: -
DIMENSIONS:	TOLERANCES UNLESS OTHERWISE SPECIFIED:	APVD: -		SCALE: 4:1
mm	0 PLC ±0.25 1 PLC ±0.25 2 PLC ±0.25 3 PLC ±0.100 4 PLC ± ANGLES ±°	Customer Drawing	SCALE: 4:1	SHEET 2 OF 5
DIMENSIONS: TOLERANCES UNLESS OTHERWISE SPECIFIED:		APVD: - PRODUCT SPEC: 108-19428 APPLICATION SPEC: - SIZE: 114-32023 WEIGHT: - MATERIAL: - FINISH: -	SCALE: 4:1 SHEET 2 OF 5 REV A1	

LOC	DIST	REVISIONS			
		P. LTR	DESCRIPTION	DATE	DWN APVD
		rev_sym_1866_8H6E111		rev_date18_11	dwn_appr_1
		rev_sym_2rev_desc_2		rev_date22_11	dwn_appr_2
		rev_sym_3rev_desc_3		rev_date23_11	dwn_appr_3
		rev_sym_4rev_desc_4		rev_date24_11	dwn_appr_4

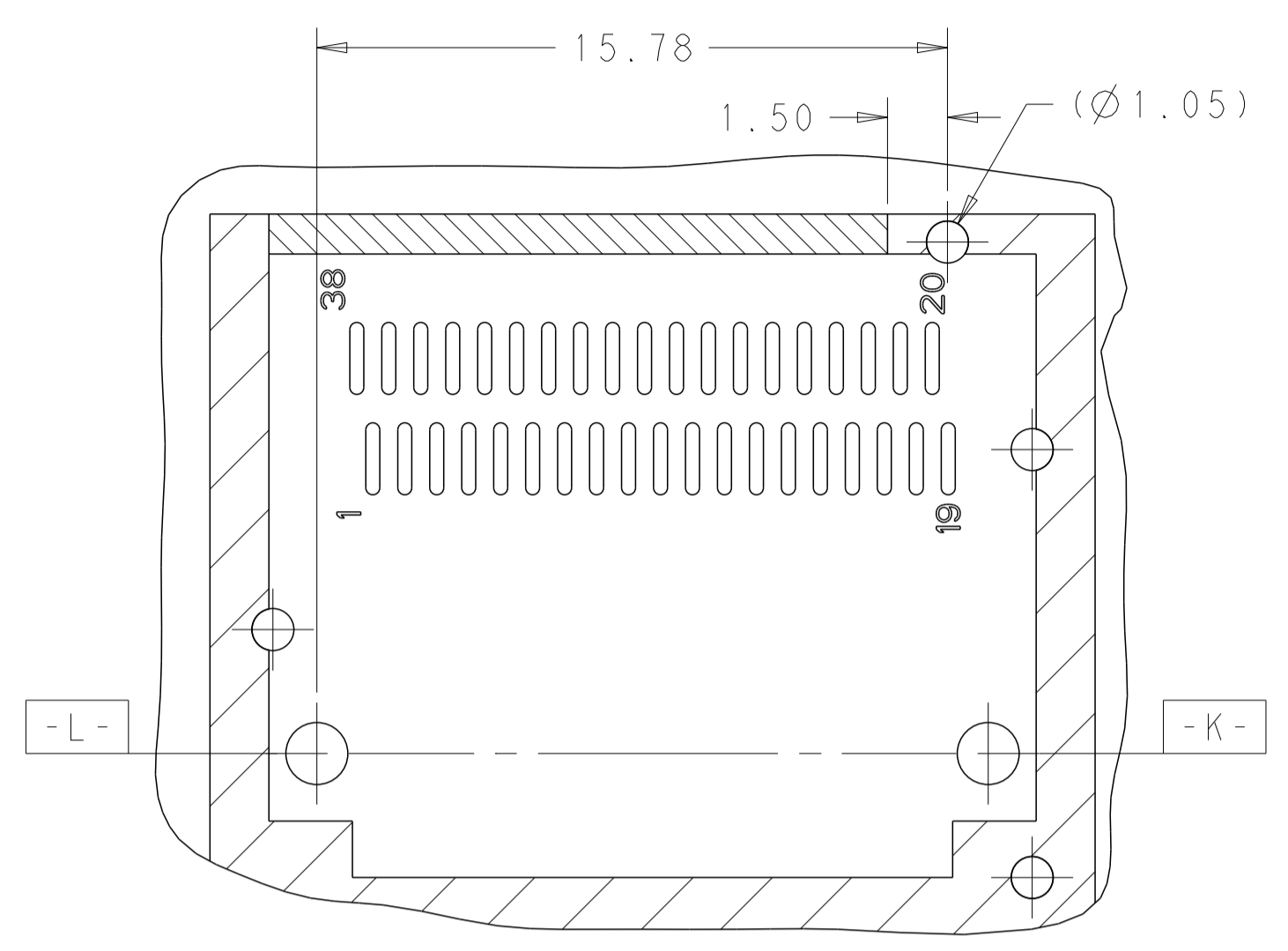


THIS DRAWING IS A CONTROLLED DOCUMENT.		DWN: JASON YANG 01APR2014	TE Connectivity
		CHK: SEAN HAN 30DEC2015	
DIMENSIONS:		APVD:	NAME: CAGE ASSEMBLY, QSFP28 1X1, THRU BEZEL WITH EMI GASKET
TOLERANCES UNLESS OTHERWISE SPECIFIED:		PRODUCT SPEC	SIZE: 108-19428
0 PLC ±0.25		APPLICATION SPEC	RESTRICTED TO:
1 PLC ±0.25		114-32023	A100779C=2170752
2 PLC ±0.20		WEIGHT:	SCALE 4:1 SHEET 3 OF 5 REV A1
3 PLC ±0.100		Customer Drawing	
4 PLC ±			
ANGLES FINISH			

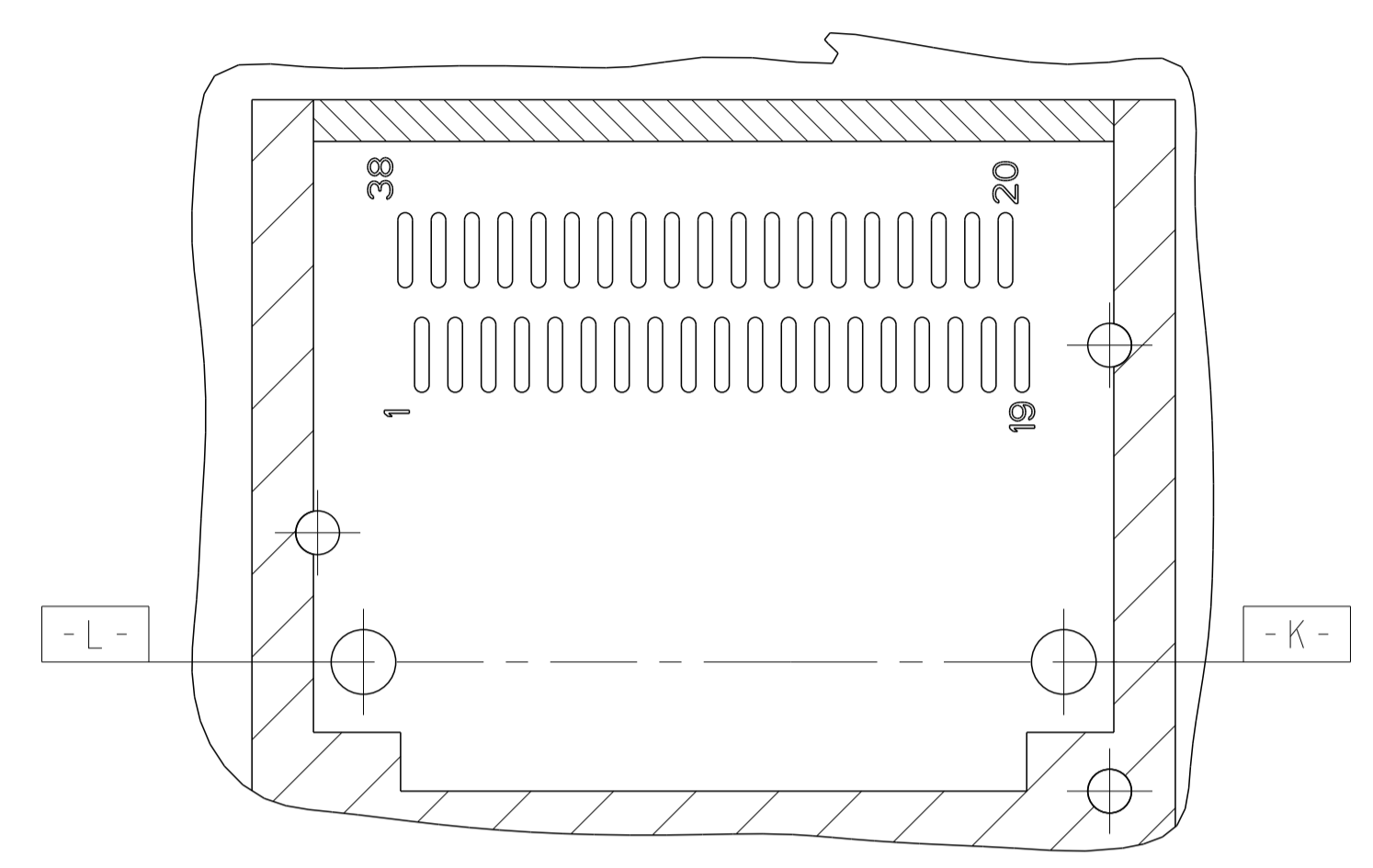
LOC	DIST	REV	DESCRIPTION	DATE	DMN	APVD
		1	rev_sym_18E6_8H6E111		rev_defect	dmn_bppr_1
		2	rev_sym_2rev_desc_2		rev_defect	dmn_bppr_2
		3	rev_sym_3rev_desc_3		rev_defect	dmn_bppr_3
		4	rev_sym_4rev_desc_4		rev_defect	dmn_bppr_4



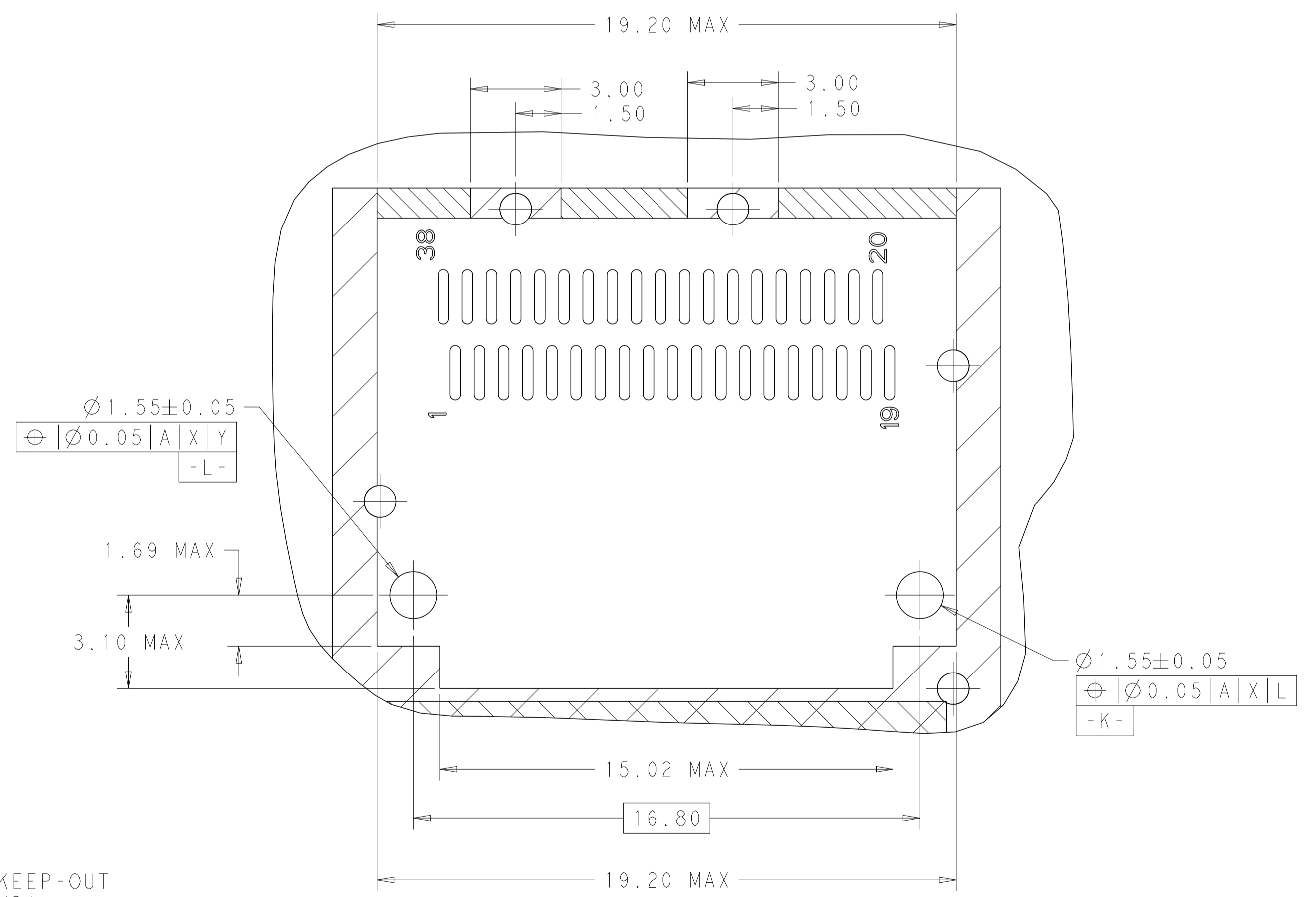
RECOMMENDED PCB LAYOUT
SINGLE TYPE OF 2 REAR HOLES OF LEGS
PCB TOLERANCE: ± 0.05
SCALE 6:1



RECOMMENDED PCB LAYOUT
SINGLE TYPE OF 1 REAR HOLES OF LEGS
PCB TOLERANCE: ± 0.05
SCALE 6:1



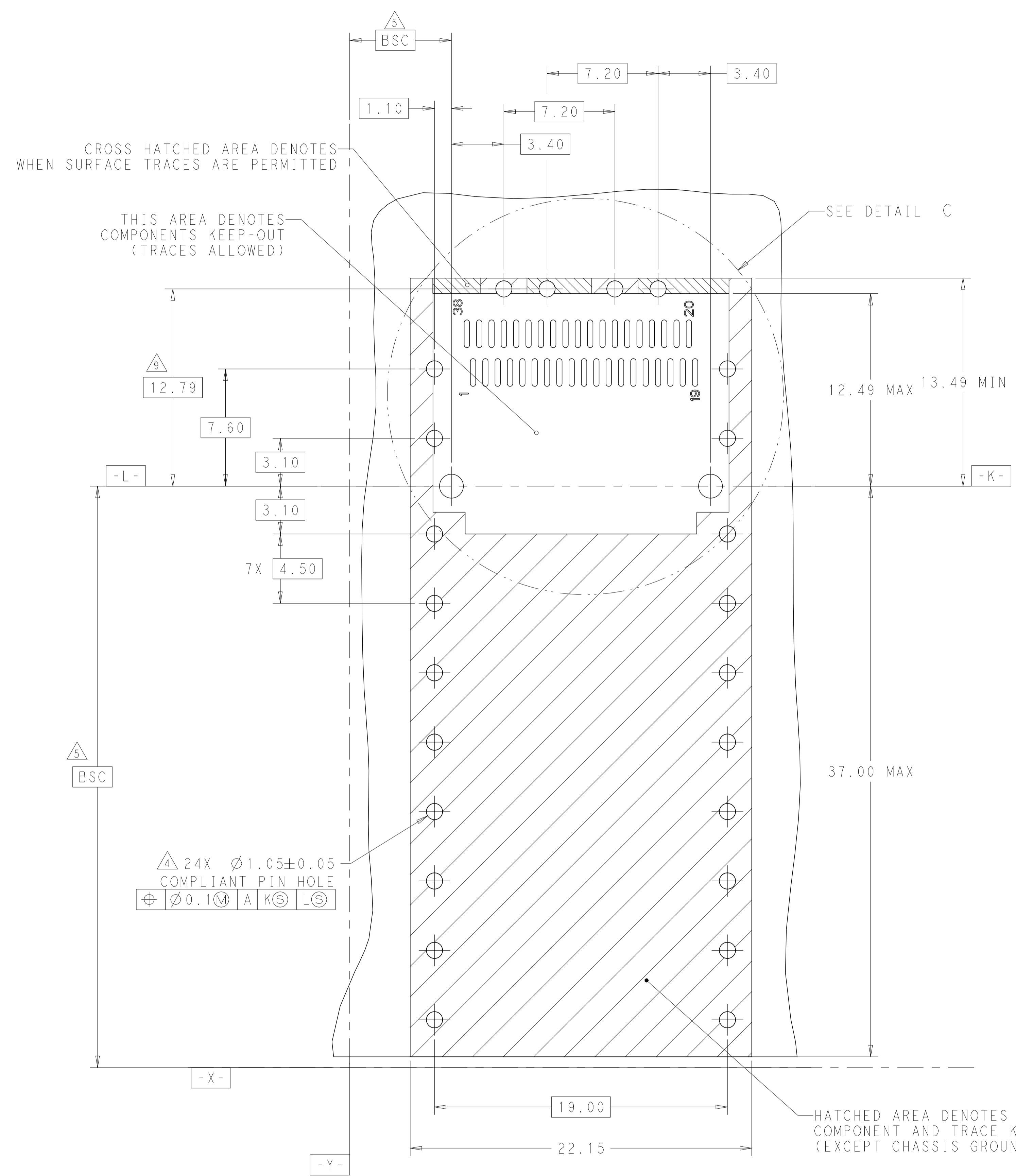
RECOMMENDED PCB LAYOUT
SINGLE TYPE OF 0 REAR HOLES OF LEGS
PCB TOLERANCE: ± 0.05
SCALE 6:1



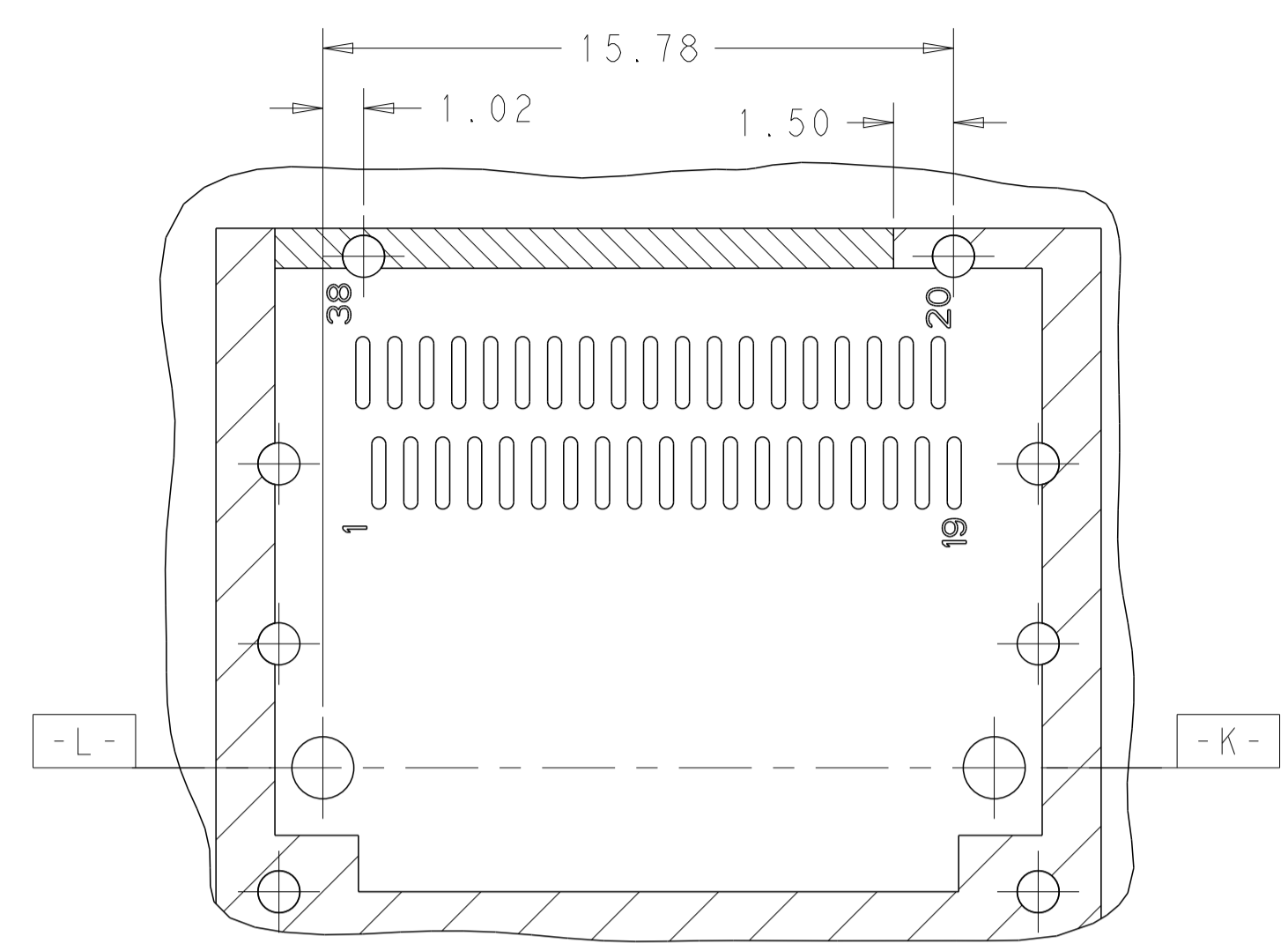
DETAIL B
SCALE 8:1

THIS DRAWING IS A CONTROLLED DOCUMENT.		DMN: JASON YANG 01APR2014	TE Connectivity
DIMENSIONS: mm		CHK: SEAN HAN 30DEC2015	
TOLERANCES UNLESS OTHERWISE SPECIFIED:		APVD:	NAME: CAGE ASSEMBLY, QSFP28 1X1, THRU BEZEL WITH EMI GASKET
0 PLC ± 0.25	1 PLC ± 0.25	PRODUCT SPEC: 108-19428	SIZE: A1
2 PLC ± 0.20	3 PLC ± 0.100	APPLICATION SPEC: 114-32023	CAGE CODE: 2170752
4 PLC \pm	ANGLES \pm	FINISH:	RESTRICTED TO:
MATERIAL:	FINISH:	WEIGHT:	Customer Drawing
SCALE: 4:1		SHEET: 4 OF 5	REV: A1

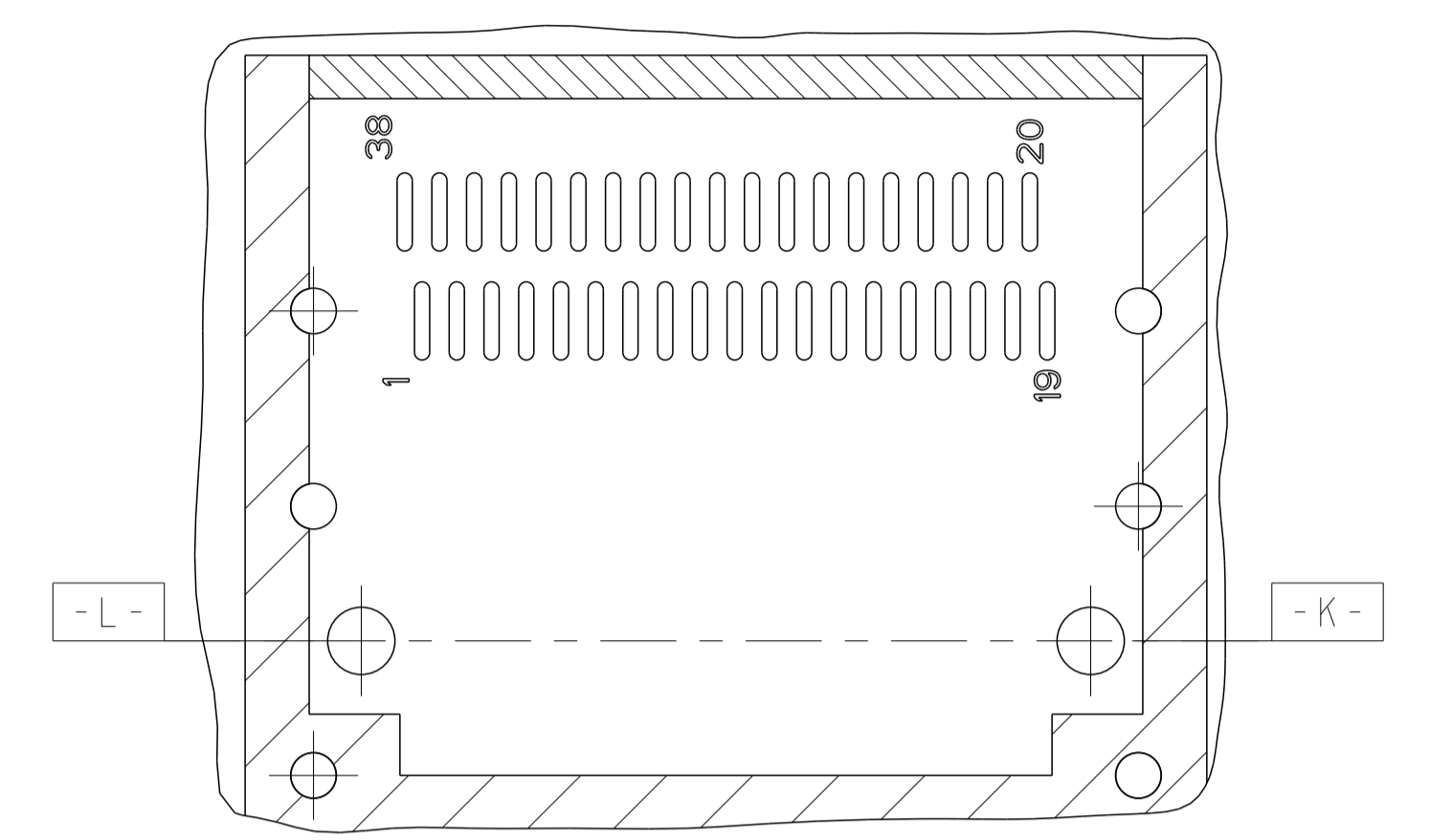
LOC	DIST	REVISIONS			
		REV. LTR	DESCRIPTION	DATE	DWN APVD
		rev_sym_186E_8H6E111			rev_defect2_dwn_appr_1
		rev_sym_2rev_desc_2			rev_defect2_dwn_appr_2
		rev_sym_3rev_desc_3			rev_defect2_dwn_appr_3
		rev_sym_4rev_desc_4			rev_defect2_dwn_appr_4



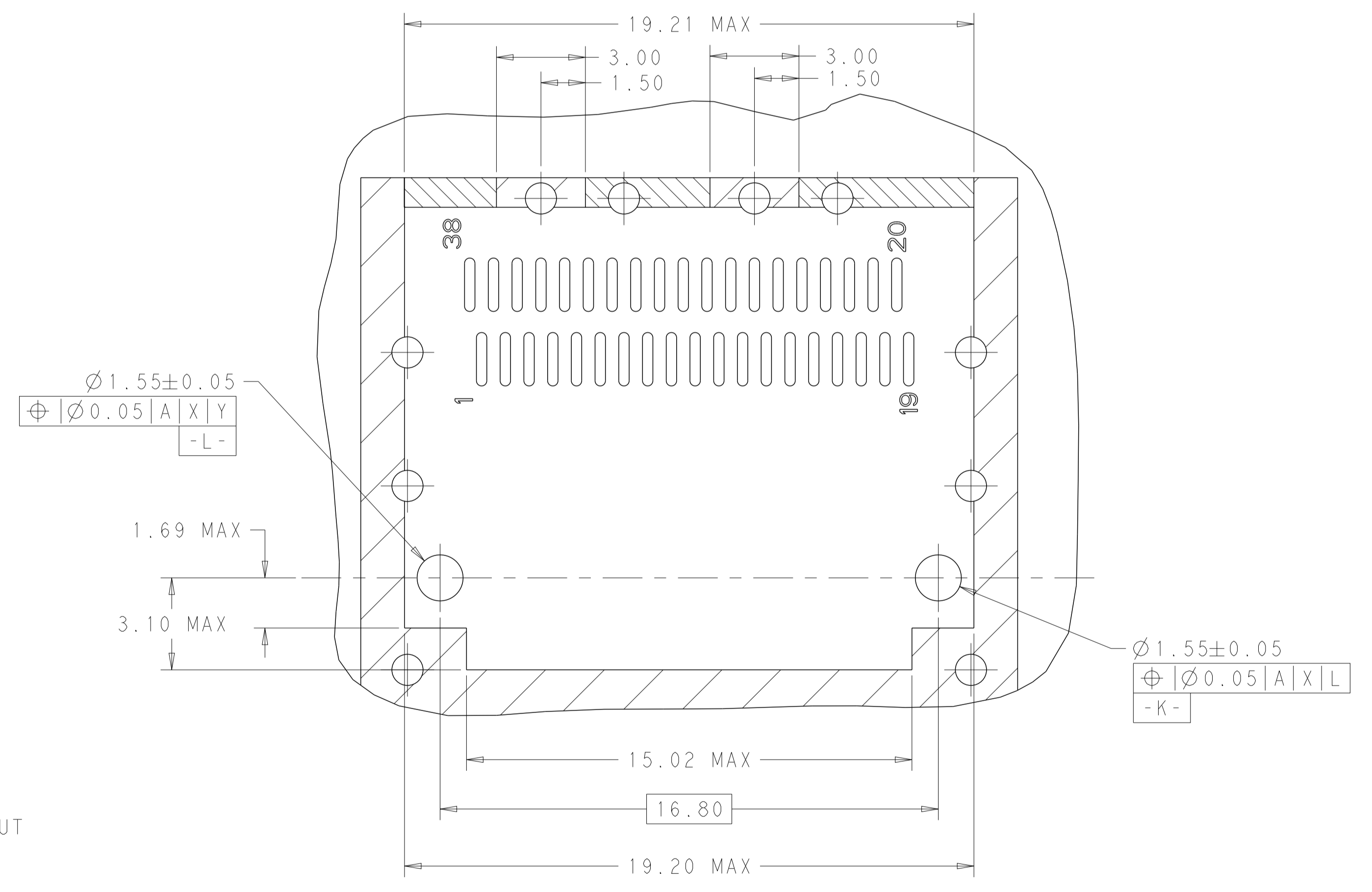
RECOMMENDED PCB LAYOUT
 BELLY TO BELLY TYPE OF 2 REAR HOLES OF LEGS
 PCB TOLERANCE: ±0.05
 SCALE 6:1



RECOMMENDED PCB LAYOUT
 BELLY TO BELLY TYPE OF 1 REAR HOLES OF LEGS
 PCB TOLERANCE: ±0.05
 SCALE 6:1



RECOMMENDED PCB LAYOUT
 BELLY TO BELLY TYPE OF 0 REAR HOLES OF LEGS
 PCB TOLERANCE: ±0.05
 SCALE 6:1



DETAIL C
 SCALE 8:1

THIS DRAWING IS A CONTROLLED DOCUMENT.		DWN: JASON YANG 01APR2014	TE Connectivity
DIMENSIONS: mm		CHK: SEAN HAN 30DEC2015	
TOLERANCES UNLESS OTHERWISE SPECIFIED:		APVD:	NAME: CAGE ASSEMBLY, QSFP28 1X1, THRU BEZEL WITH EMI GASKET
0 PLC ±0.25	1 PLC ±0.25	PRODUCT SPEC: 108-19428	SIZE: A1
2 PLC ±0.20	3 PLC ±0.100	APPLICATION SPEC: 114-32023	CAGE CODE: 2170752
4 PLC ±	ANGLES ±	WEIGHT:	RESTRICTED TO:
MATERIAL:	FINISH:	Customer Drawing	SCALE: 4:1 SHEET 5 OF 5 REV: A1