

ECS-P-122X169-S-UV1-2PV - Front plate



1143769

<https://www.phoenixcontact.com/us/products/1143769>

Please be informed that the data shown in this PDF document is generated from our online catalog. Please find the complete data in the user documentation. Our general terms of use for downloads are valid.

ECS family faceplate, ready for integration of one SUNCLIX PV-FT-C3 male and female connectors, screw locking, rated IP66/67/69 when combined with ECS housing, Color: Black (9005), Width: 163 mm, Height: 30 mm, Depth: 62 mm



Your advantages

- Housing design supports the installation of a range of PCB thicknesses for high application diversity
- Optional accessories for wall and mast mounting
- Proven PCB connection technology
- Integrated tamper protection
- Effective protection of electronics against thermal and mechanical influences

Commercial data

Item number	1143769
Packing unit	1 pc
Sales key	AC04
Product key	ACFDAB
GTIN	4063151130930
Weight per piece (including packing)	111.8 g
Weight per piece (excluding packing)	111 g
Customs tariff number	84879090
Country of origin	US

ECS-P-122X169-S-UV1-2PV - Front plate

1143769

<https://www.phoenixcontact.com/us/products/1143769>

Technical data

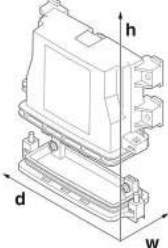
Notes

General	Refer to the data sheet for the range in the download area.
---------	---

Product properties

Product type	Front plate
Housing type	outdoor housings
Housing series	ECS

Dimensions

Dimensional drawing	
Width	163 mm
Height	30 mm
Depth	62 mm

PCB design

PCB thickness	1.57 mm ... 2.36 mm
---------------	---------------------

Material specifications

Color	black (9005)
Flammability rating according to UL 94	V0
Surface characteristics	untreated
Impact strength	IK08
Housing material	PC (polycarbonate)

Environmental and real-life conditions

Vibration test

Specification	IEC 60068-2-6:2007-12
Frequency	10 - 2000 - 10 Hz
Sweep speed	1 octave/min
Acceleration	15g (61.6 Hz ... 2000 Hz)
Test duration per axis	2.5 h
Test directions	X-, Y- and Z-axis

Glow-wire test

Specification	IEC 60695-2-11:2014-02
---------------	------------------------

ECS-P-122X169-S-UV1-2PV - Front plate



1143769

<https://www.phoenixcontact.com/us/products/1143769>

Temperature	850 °C
Time of exposure	30 s

Mechanical strength / tumbling barrel

Specification	IEC 60068-2-31:2008-05
Height of fall	50 cm
Frequency	50

Shocks

Specification	IEC 60068-2-27:2008-02
Pulse shape	Semi-sinusoidal
Acceleration	50g
Shock duration	11 ms
Number of shocks per direction	3
Test directions	X-, Y- and Z-axis (pos. and neg.)

Salt spray test

Specification	DIN EN 60068-2-11:2000-02
Test duration	96 h

Test for substances that would hinder coating with paint or varnish

Specification	VDMA 24364:2018-05
Result	Test passed

Degree of protection (IP code)

Specification	IEC 60529:1989-11 + AMD 1:1999-11 + AMD 2:2013-08
Result, degree of protection, IP code	IP66/IP68 (2 m/24 h)

Ambient conditions

Degree of protection	IP66/IP67
Max. NEMA code to attain	6
Impact strength	IK08
Ambient temperature (operation)	-40 °C ... 100 °C
Ambient temperature (storage/transport)	-40 °C ... 100 °C

PCB data

Number of PCB holders	1
Thickness of the PCB	1.57 mm ... 2.36 mm

Mounting

Mounting type	Screw locking mechanism
---------------	-------------------------

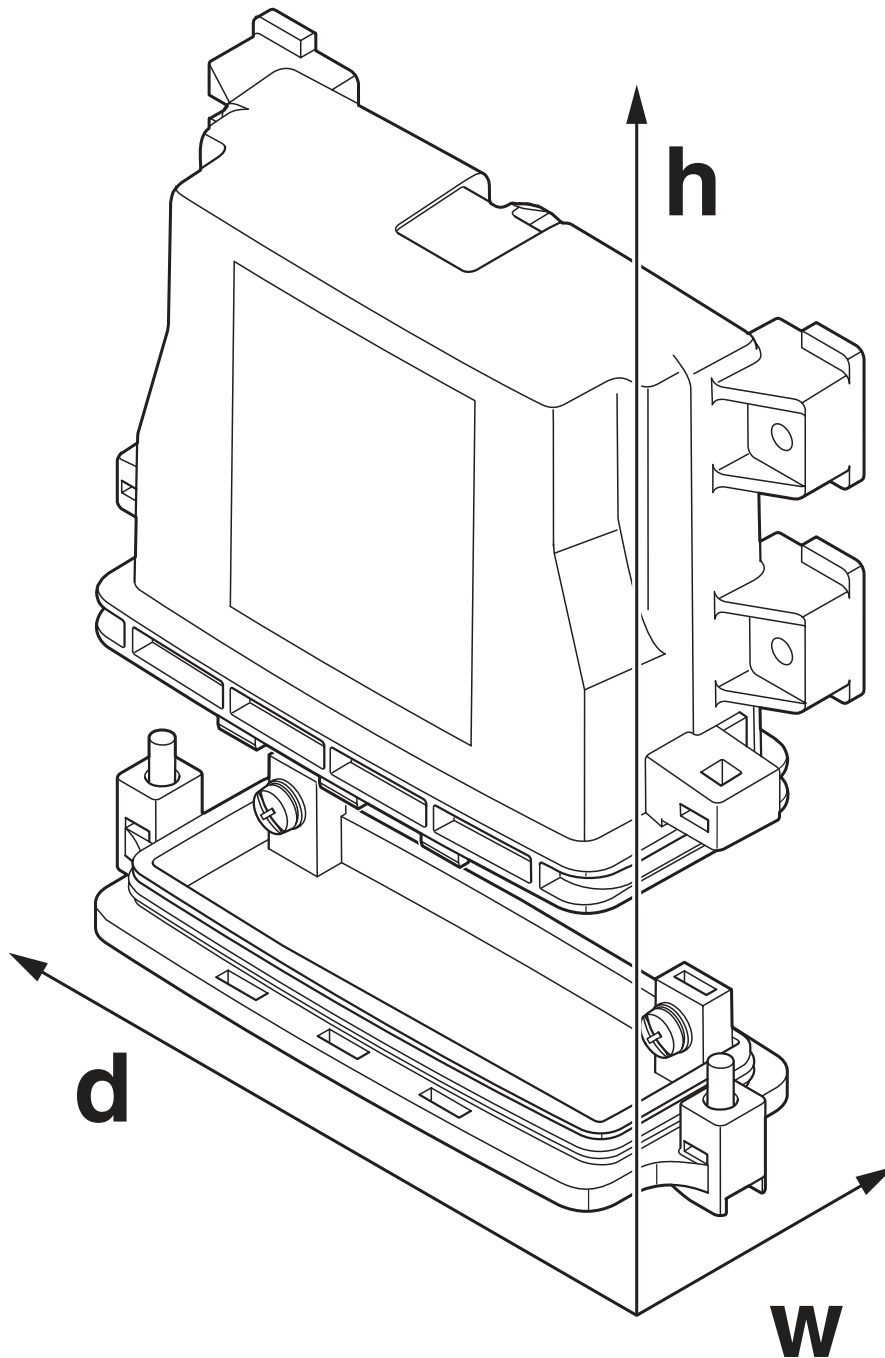
ECS-P-122X169-S-UV1-2PV - Front plate

1143769

<https://www.phoenixcontact.com/us/products/1143769>

Drawings

Dimensional drawing



Schematic figure for illustrating the item dimensions. The figure is not of the desired product. For further details, refer to the product drawings in the "Downloads" tab.

ECS-P-122X169-S-UV1-2PV - Front plate



1143769

<https://www.phoenixcontact.com/us/products/1143769>

Classifications

ECLASS

ECLASS-11.0	27182702
ECLASS-13.0	27190603

ETIM

ETIM 8.0	EC001031
----------	----------

UNSPSC

UNSPSC 21.0	31261500
-------------	----------

ECS-P-122X169-S-UV1-2PV - Front plate



1143769

<https://www.phoenixcontact.com/us/products/1143769>

Mandatory accessories

ECS-B-122X169-S-UV1-V - Electronic housing

2230002

<https://www.phoenixcontact.com/us/products/2230002>



Screw locking vented enclosure of the ECS Family. IP66/67/69 rated when mated with associated faceplate. Color: Black (9005), Width: 164 mm, Height: 176 mm, Depth: 64 mm

ECS-B-122X169-S-UV1-NV - Electronic housing

2230003

<https://www.phoenixcontact.com/us/products/2230003>



Screw locking non-vented enclosure of the ECS family. IP66/67/69 rated when mated with associated faceplate. Color: Black (9005), Width: 164 mm, Height: 176 mm, Depth: 64 mm

ECS-P-122X169-S-UV1-2PV - Front plate

1143769

<https://www.phoenixcontact.com/us/products/1143769>



ECS-B-122X109-S-UV1-V - Electronic housing

1054710

<https://www.phoenixcontact.com/us/products/1054710>

Screw locking vented enclosure of the ECS Family. IP66/67/69 rated when mated with associated faceplate. Color: Black (9005), Width: 164 mm, Height: 116 mm, Depth: 64 mm



ECS-B-122X109-S-UV1-NV - Electronic housing

1054711

<https://www.phoenixcontact.com/us/products/1054711>

Screw locking non-vented enclosure of the ECS family. IP66/67/69 rated when mated with associated faceplate. Color: Black (9005), Width: 164 mm, Height: 116 mm, Depth: 64 mm



Accessories

ECS-P-122X169-S-UV1-2PV - Front plate

1143769

<https://www.phoenixcontact.com/us/products/1143769>

SF-TXH 20X100 - Screwdriver

1200151

<https://www.phoenixcontact.com/us/products/1200151>



Screwdriver, Torx[®] with bore hole, TX 20 x 100, two-component handle

SZF 1-0,6X3,5 - Screwdriver

1204517

<https://www.phoenixcontact.com/us/products/1204517>



Actuation tool, for ST terminal blocks, also suitable for use as a bladed screwdriver, size: 0.6 x 3.5 x 100 mm, 2-component grip, with non-slip grip

ECS-P-122X169-S-UV1-2PV - Front plate

1143769

<https://www.phoenixcontact.com/us/products/1143769>



WT-STEEL SH 4,6X150 - Cable tie

3240820

<https://www.phoenixcontact.com/us/products/3240820>



Cable binders, made from rust-free stainless steel (AISI 316), suitable for the harshest of ambient conditions (for example, salt water), with ball lock, for quick and secure bundling and fastening

HS LC-V-T-D4X5,2S-45 - Fiber optic

1082300

<https://www.phoenixcontact.com/us/products/1082300>



Vertical 4 mm light guide, transparent, with spherical 5.2 mm raised head, assembly for wall thicknesses from 1 mm, made of polycarbonate (UL 94-V0), installation length 45 mm, watertight, IP68 (EN 50529)

ECS-P-122X169-S-UV1-2PV - Front plate



1143769

<https://www.phoenixcontact.com/us/products/1143769>

HS LC-F-T6X3-150 - Fiber optic

1082301

<https://www.phoenixcontact.com/us/products/1082301>



Flexible light guide, transparent 3 mm made of PMMA (UL 94-V0) with 6 mm lens, made of crystal-clear polycarbonate and 6x6 mm LED housing, black polycarbonate PC (UL 94), length: 150 mm unmounted, for SMD TOPLEDs

HS LCA-RGB-10X5-L - Signal light

1082299

<https://www.phoenixcontact.com/us/products/1082299>



10 mm signal light with SMD-LED 5 mm (color: RGB) for assembly on wall thicknesses from 1.5 mm. Black housing made of polycarbonate (UL 94-V0) with four 94 mm tin-plated free wire ends, watertight IP68 (EN 60529)

ECS-P-122X169-S-UV1-2PV - Front plate

1143769

<https://www.phoenixcontact.com/us/products/1143769>



ECS-BL - Safety clip

2230012

<https://www.phoenixcontact.com/us/products/2230012>

PCB safety clip



ECS-PM - Mounting bracket

2230013

<https://www.phoenixcontact.com/us/products/2230013>

Mounting set for mast mounting



ECS-P-122X169-S-UV1-2PV - Front plate

1143769

<https://www.phoenixcontact.com/us/products/1143769>



ECS-PCB - PCB

1004300

<https://www.phoenixcontact.com/us/products/1004300>



Printed-circuit board

PV-FT-C3M-C-6-130-RD-00 - Device connector front mounting

1034752

<https://www.phoenixcontact.com/us/products/1034752>



Panel feed-through, Range of articles: Sunclix, Device connector front mounting, housing material: PPE, color: black, Connection method: Crimp, Contact connection type: Pin, cable length: 130

ECS-P-122X169-S-UV1-2PV - Front plate

1143769

<https://www.phoenixcontact.com/us/products/1143769>



PV-FT-C3F-C-6-130-BU-00 - Device connector front mounting

1034751

<https://www.phoenixcontact.com/us/products/1034751>



Panel feed-through, Range of articles: Sunclix, Device connector front mounting, housing material: PPE, color: black, Connection method: Crimp, Contact connection type: Socket, cable length: 130

SPT 5/ 1-H-7,5 - PCB terminal block

1719189

<https://www.phoenixcontact.com/us/products/1719189>



PCB terminal block, nominal current: 41 A, rated voltage (III/2): 630 V, nominal cross section: 6 mm², number of potentials: 1, number of rows: 1, number of positions per row: 1, product range: SPT 5/..-H, pitch: 7.5 mm, connection method: Push-in spring connection, mounting: Wave soldering, conductor/PCB connection direction: 0 °, color: green, Pin layout: Linear pinning, Solder pin [P]: 4.6 mm, number of solder pins per potential: 2, type of packaging: packed in cardboard

ECS-P-122X169-S-UV1-2PV - Front plate



1143769

<https://www.phoenixcontact.com/us/products/1143769>

PV-C PROTECTION CAP - Protective cap

1785430

<https://www.phoenixcontact.com/us/products/1785430>

Photovoltaic connector, Range of articles: Sunclix, Protective cap, color: black. self-sealing, without interlock, set consisting of: 1 protective cap for connector side and 1 protective cap for coupling side



PV-FT-C COLLAR NUT BK - Screw connection

1083475

<https://www.phoenixcontact.com/us/products/1083475>

Panel feed-through, Range of articles: Sunclix, Screw connection



Phoenix Contact 2023 © - all rights reserved
<https://www.phoenixcontact.com>

Phoenix Contact USA
586 Fulling Mill Road
Middletown, PA 17057, United States
(+717) 944-1300
info@phoenixcon.com