

The SP3 from Celesco is a compact, economical stringpot that provides a user selectable 4-20 mA or 0-10 Vdc output signal. Simply install this sensor using the handy mounting bracket and connect the appropriate wires for the desired output.

The SP3 is constructed with a rugged, water resistant polycarbonate body that has been compactly designed for tight spaces and generous measuring cable misalignment. With 4 different ranges, the SP3 is a perfect solution for many applications from light industrial to OEM. Just like all of our other SP and SE models, the SP3 is in stock ready to ship.

## SP3

### Compact String Pot • 4..20mA / 0..10Vdc

**Linear Position to 50 inches (1270 mm)**

**User Selectable Output: 4–20 mA or 0–10Vdc**

**40-in. Electrical Cable • Free-Release Tolerant**

**In Stock for Quick Delivery!**

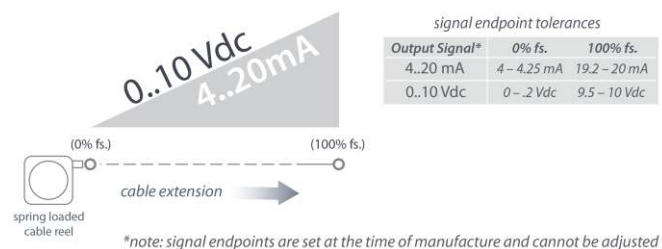
### Specifications

<b>Full Stroke Range Options</b>	0-4.75, 0-12.5, 0-25, 0-50 inches
<b>User Selectable Output Signal</b>	4...20 mA (2-wire) / 0...10 Vdc
<b>Input Voltage, 4...20 mA option</b>	8-40 VDC
<b>Input Voltage, 0...10 Vdc option</b>	12-32 VDC
<b>Accuracy</b>	±0.25 to ±1.00% (see part no. above)
<b>Repeatability</b>	± 0.05% full stroke
<b>Resolution</b>	essentially infinite
<b>Measuring Cable</b>	0.019-in. dia. nylon-coated stainless steel
<b>Measuring Cable Tension</b>	7 oz. (1,9 N) ±25%
<b>Maximum Cable Acceleration</b>	15 g
<b>Enclosure Material</b>	Polycarbonate
<b>Sensor</b>	plastic-hybrid precision potentiometer
<b>Weight</b>	5 oz. (w/o mounting bracket) max.

<b>Environmental</b>	
<b>Enclosure</b>	IP 50
<b>Operating Temperature</b>	0° to 160°F (-18° to 71°C)
<b>Vibration</b>	up to 10 g to 2000 Hz maximum

### Output Signal



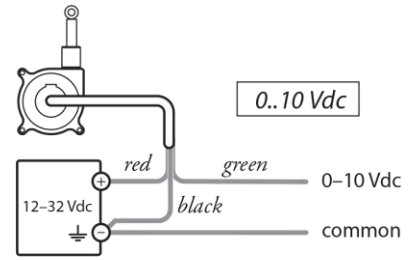
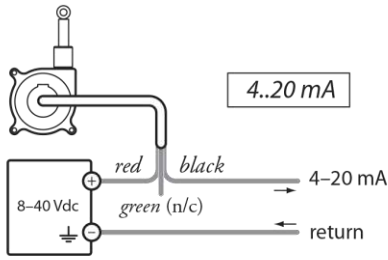
**SP3**

Compact String Pot • 4..20mA / 0..10Vdc

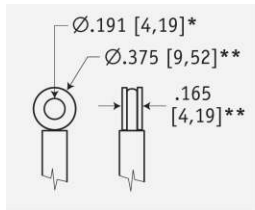
**Electrical Connection**



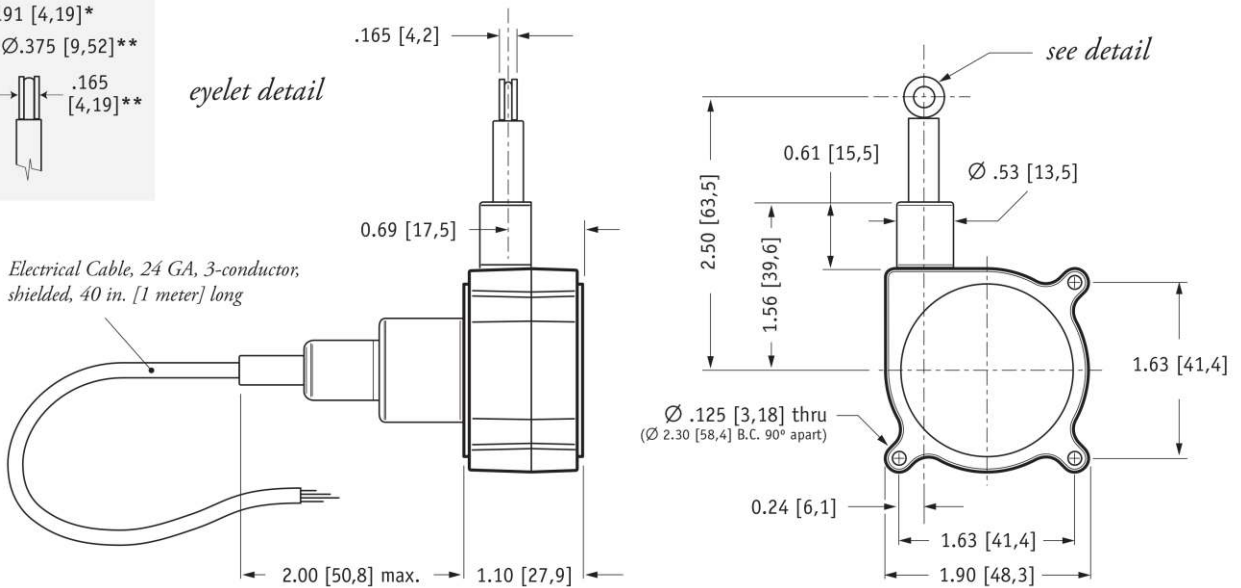
	0...10 Vdc	4...20 mA
(red)	12...32 Vdc	8...40 Vdc
(grn)	0...10 Vdc	n/c
(blk)	common	4...20 mA



**Outline Drawing (w/o bracket)**



*eyelet detail*



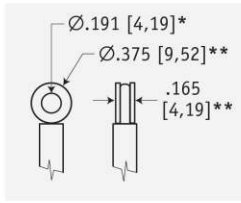
DIMENSIONS ARE IN INCHES [MM]  
 tolerances are 0.04 IN. [1,0 MM] unless otherwise noted.

\* tolerance = +.005 - .001 [+0,1 -0,0]  
 \*\* tolerance = +.005 - .005 [+0,1 -0,1]

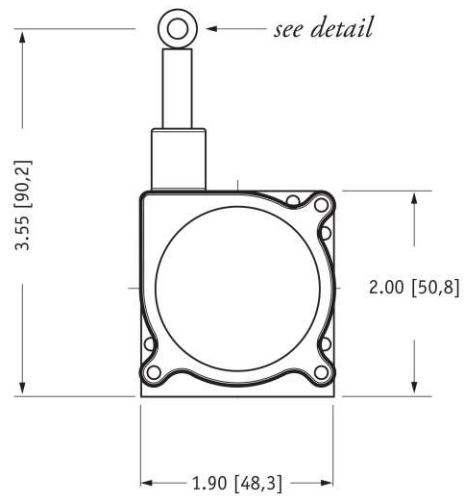
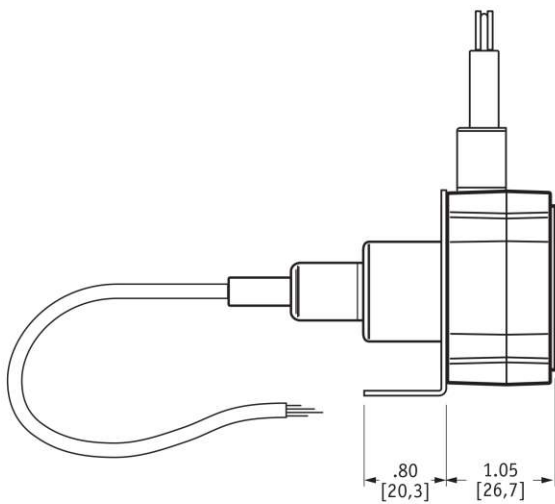
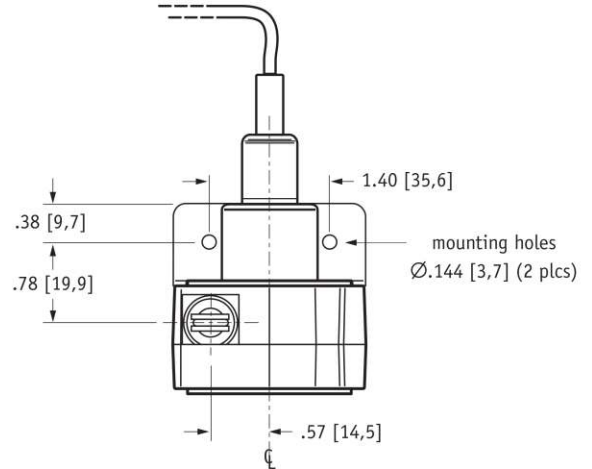
**SP3**

Compact String Pot • 4..20mA / 0..10Vdc

Outline Drawing (w/ bracket)

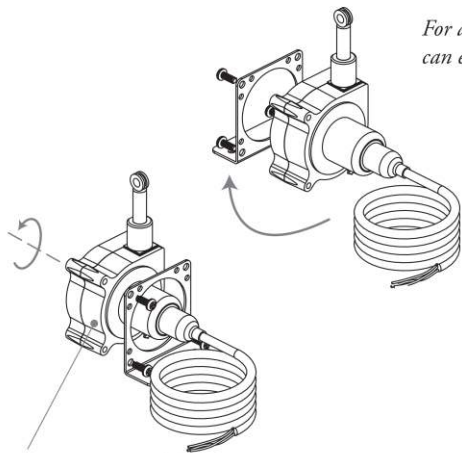


eyelet detail



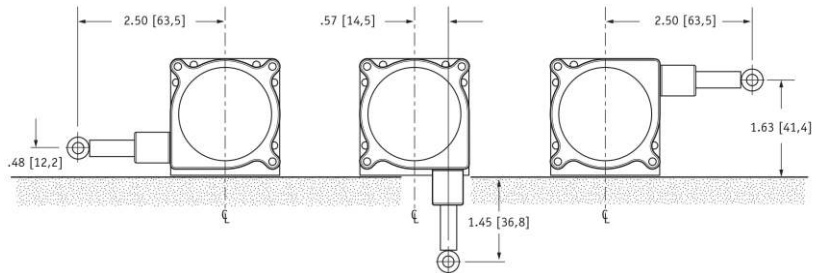
DIMENSIONS ARE IN INCHES [MM]  
tolerances are 0.04 IN. [1,0 MM] unless otherwise noted.

\* tolerance = +.005 -0.001 [+0,1 -0,0]  
\*\* tolerance = +.005 -0.005 [+0,1 -0,1]



For added flexibility, mounting bracket can easily be switched to the opposite side.

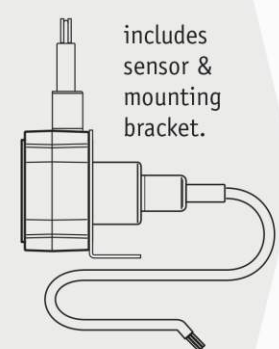
To change measuring cable direction simply remove the 3 bracket attaching screws and rotate sensor body to desired direction.



## SP3

Compact String Pot • 4..20mA / 0..10Vdc

### Ordering Information



includes sensor & mounting bracket.

Part No.	full stroke range	accuracy (% of f.s.)	cycle life
<b>SP3-4</b>	4.75 in (120 mm)	1.00%	2.5M cycles
<b>SP3-12</b>	12.5 in (317 mm)	0.25%	500K cycles
<b>SP3-25</b>	25 in (635 mm)	0.25%	500K cycles
<b>SP3-50</b>	50 in (1270 mm)	0.25%	250K cycles

### NORTH AMERICA

Measurement Specialties, Inc.,  
a TE Connectivity company  
20630 Plummer Street  
Chatsworth, CA 91311  
Tel +1 800 423 5483  
Tel +1 818 701 2750  
Fax +1 818 701 2799  
info@celesco.com

### [TE.com/sensorsolutions](http://TE.com/sensorsolutions)

Measurement Specialties, Inc., a TE Connectivity company.

Measurement Specialties, TE Connectivity, TE Connectivity (logo) and EVERY CONNECTION COUNTS are trademarks. All other logos, products and/or company names referred to herein might be trademarks of their respective owners.

The information given herein, including drawings, illustrations and schematics which are intended for illustration purposes only, is believed to be reliable. However, TE Connectivity makes no warranties as to its accuracy or completeness and disclaims any liability in connection with its use. TE Connectivity's obligations shall only be as set forth in TE Connectivity's Standard Terms and Conditions of Sale for this product and in no case will TE Connectivity be liable for any incidental, indirect or consequential damages arising out of the sale, resale, use or misuse of the product. Users of TE Connectivity products should make their own evaluation to determine the suitability of each such product for the specific application.

© 2015 TE Connectivity Ltd. family of companies All Rights Reserved.

SP3 12/01/2015