

2-100103-0 ✓ ACTIVE

[AMP-LATCH](#) | [AMP-LATCH - NOVO](#)

TE Internal #: 2-100103-0

TE Internal Description: 20P.A/L.STRAIN REL.

Latch Connector: Strain Relief

[View on TE.com >](#)



[Connectors](#) > [PCB Connectors](#) > [Wire-to-Board Connectors](#) > [FFC, FPC & Ribbon Connectors](#) > [Ribbon Connector Accessories](#) >

Latch Connector: Strain Relief



Flat Flexible Cable Accessory Type: **Strain Relief Cover**

Number of Positions: **20**

[All Latch Connector: Strain Relief \(10\)](#)

Features

Product Type Features

Flat Flexible Cable Accessory Type	Strain Relief Cover
------------------------------------	---------------------

Configuration Features

Number of Positions	20
---------------------	----

Body Features

Primary Product Material	Glass-Filled Nylon
--------------------------	--------------------

Primary Product Color	Gray
-----------------------	------

Dimensions

Product Length	30 mm
----------------	-------

Packaging Features

Packaging Quantity	250
--------------------	-----

Packaging Method	Bag & Box
------------------	-----------

Other

Connector Accessory Comment	Receptacle Connector
-----------------------------	----------------------

Product Compliance

[For compliance documentation, visit the product page on TE.com>](#)

EU RoHS Directive 2011/65/EU	Compliant
EU ELV Directive 2000/53/EC	Compliant
China RoHS 2 Directive MIIT Order No 32, 2016	No Restricted Materials Above Threshold
EU REACH Regulation (EC) No. 1907/2006	Current ECHA Candidate List: JUNE 2023 (235) Candidate List Declared Against: JAN 2023 (233) Does not contain REACH SVHC
Halogen Content	Not Low Halogen - contains Br or Cl > 900 ppm.
Solder Process Capability	Not applicable for solder process capability

Product Compliance Disclaimer

This information is provided based on reasonable inquiry of our suppliers and represents our current actual knowledge based on the information they provided. This information is subject to change. The part numbers that TE has identified as EU RoHS compliant have a maximum concentration of 0.1% by weight in homogenous materials for lead, hexavalent chromium, mercury, PBB, PBDE, DBP, BBP, DEHP, DIBP, and 0.01% for cadmium, or qualify for an exemption to these limits as defined in the Annexes of Directive 2011/65/EU (RoHS2). Finished electrical and electronic equipment products will be CE marked as required by Directive 2011/65/EU. Components may not be CE marked. Additionally, the part numbers that TE has identified as EU ELV compliant have a maximum concentration of 0.1% by weight in homogenous materials for lead, hexavalent chromium, and mercury, and 0.01% for cadmium, or qualify for an exemption to these limits as defined in the Annexes of Directive 2000/53/EC (ELV). Regarding the REACH Regulation, the information TE provides on SVHC in articles for this part number is based on the latest European Chemicals Agency (ECHA) 'Guidance on requirements for substances in articles' posted at this URL: <https://echa.europa.eu/guidance-documents/guidance-on-reach>

Compatible Parts



Also in the Series | [AMP-LATCH - NOVO](#)



Ribbon Cable Connectors(46)



Ribbon Connector Accessories(10)

Customers Also Bought



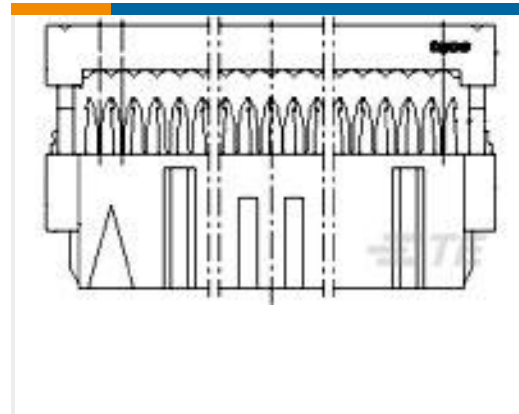
TE Part #647402-8
Receptacle Housing: Wire-to-Board, with Mating Alignment, SL156



TE Part #2213600-7
COOLSPLICE LW 12/14 TO 12/14 AWG, SEAL



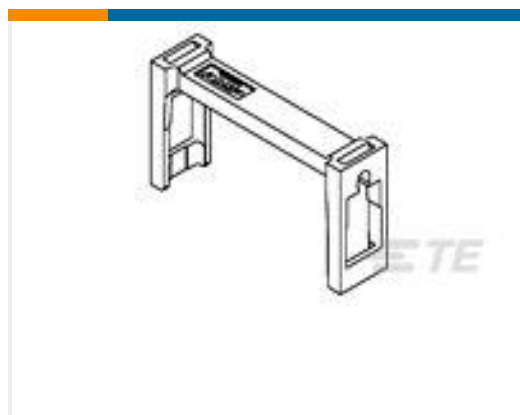
TE Part #350700-7
UMNL SPLIT PIN AU/NI/BR



TE Part #1-215882-4
14 WAY GREY MK II RECP



TE Part #1-828102-1
HD-20SCHRAUB-SICHRG



TE Part #1-100103-0
10P.A/L.STRAIN REL.



TE Part #1768021-9
IMC02



TE Part #1478885-1
PG EMC GLAND PG7

Documents

Product Drawings 20P.A/L.STRAIN REL.

English

CAD Files

3D PDF

3D

Customer View Model

[ENG_CVM_CVM_2-100103-0_D.2d_dxf.zip](#)

English

Customer View Model

[ENG_CVM_CVM_2-100103-0_D.3d_igs.zip](#)

English

Customer View Model

[ENG_CVM_CVM_2-100103-0_D.3d_stp.zip](#)

English

By downloading the CAD file I accept and agree to the [Terms and Conditions](#) of use.



Product Environmental Compliance

[MD_2-100103-0_071420161030_dmtec](#)

English

[MD_2-100103-0_071420161030_dmtec](#)

English