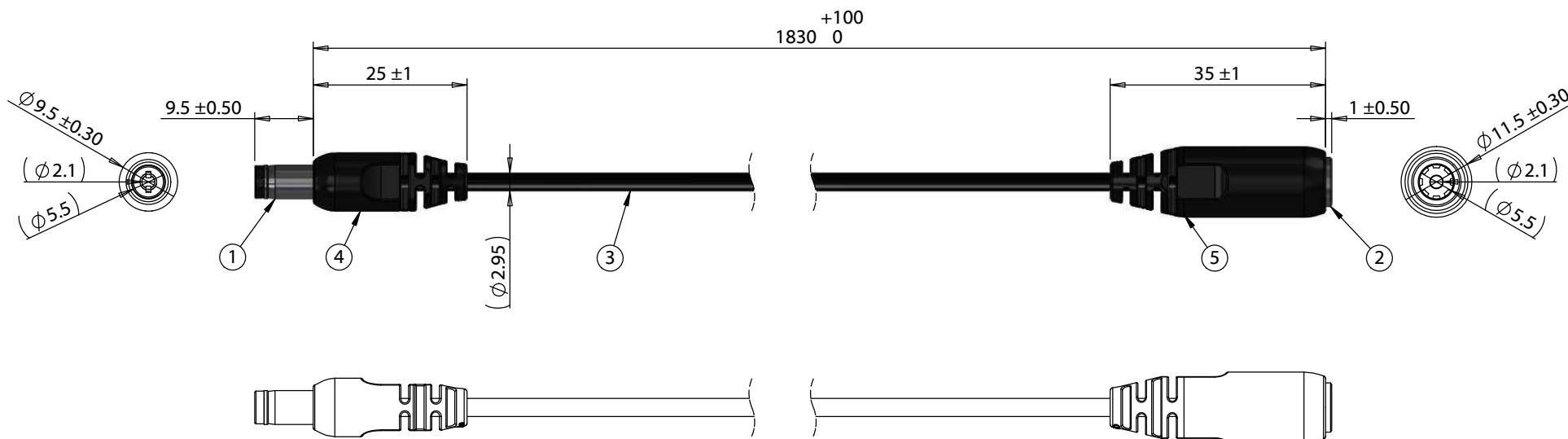


ITEM NO.	PART NUMBER	DESCRIPTION	QTY.	COMPONENT NOTES
1	50-00133	Connector, dc plug, 5.5x2.1x18.5 mm, molding style, spring contacts	1	
2	50-00025	Connector, dc jack, 5.5x2.1x17.4 mm, molding style	1	
3	30-00338	Wire, 1C TS, 20 AWG, UL1185, 300V, 80C, 2.95 mm, shielded, VW-1, PVC	1	
4	24-00357	Overmold, dc plug, 5.5 mm	1	PVC, black
5	24-00359	Overmold, dc jack, 5.5 mm	1	PVC, black



Notes:
Functionally equivalent components may be substituted
Cable rated for 48 V, 7.0 A

Wiring Diagram		
50-00133	wire color	50-00025
center	white	center
sleeve	shield	sleeve

Revision:	Date:	Description:	Prepared:	Notes:	<h1>TENSILITY</h1> <p>tel 1.541.323.3228 800 877.670.7118 fax 1.541.323.4202 web tensility.com</p>	
A	4/19/2021	Initial release	AW <small>Digitally signed by AW Date: 2021.04.19 15:22:46 -07'00'</small>			RoHS compliant
			Verified:	Function test: no open, no short circuit, no intermittent	Size:	
			JC <small>Digitally signed by JC Date: 2021.04.21 11:19:35 -07'00'</small>	Description:	Part number:	
			Dimensions are in millimeters. Tolerances: X: ± 0.5 mm X.X: ± 0.3 mm X.XX: ± 0.05 mm	Cable, 1830 mm, 5.5x2.1x9.5 mm 50-00133 dc plug to 5.5x2.1 mm 50-00025 dc jack, 20 AWG, 30-00338	A 10-03933	
					Scale: 1:1	
						Sheet 1 of 1

5

4

3

2

1