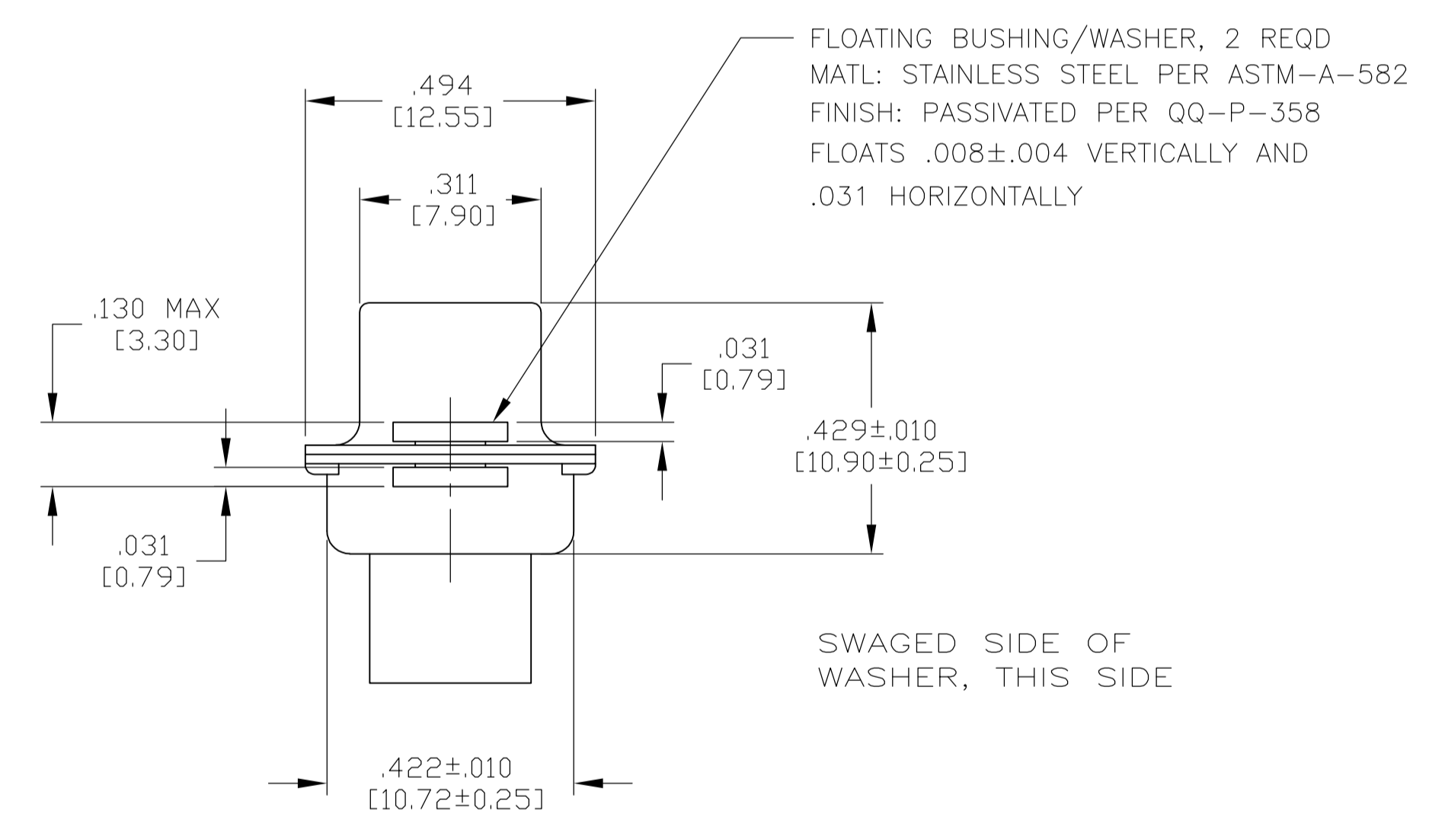
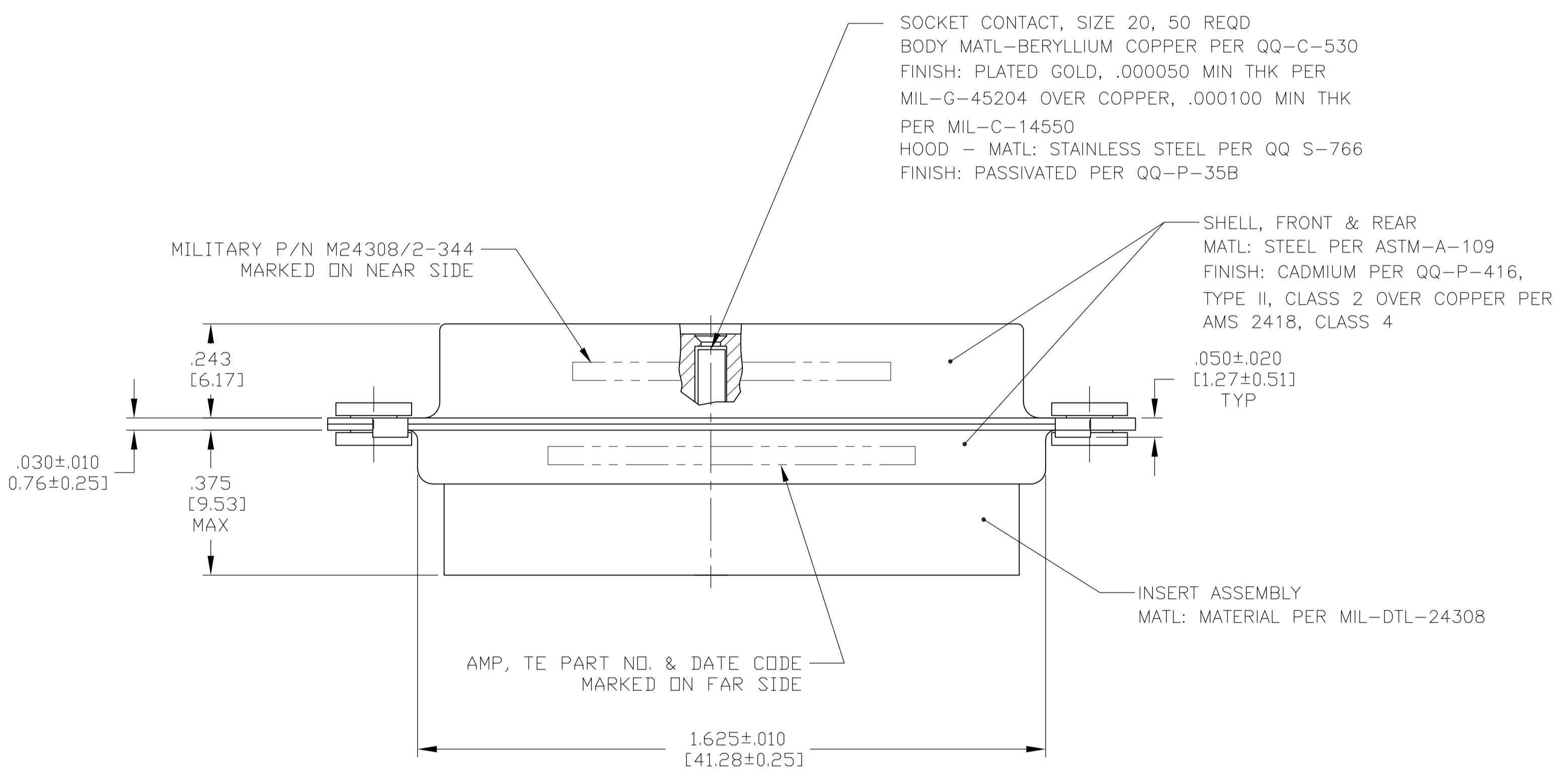
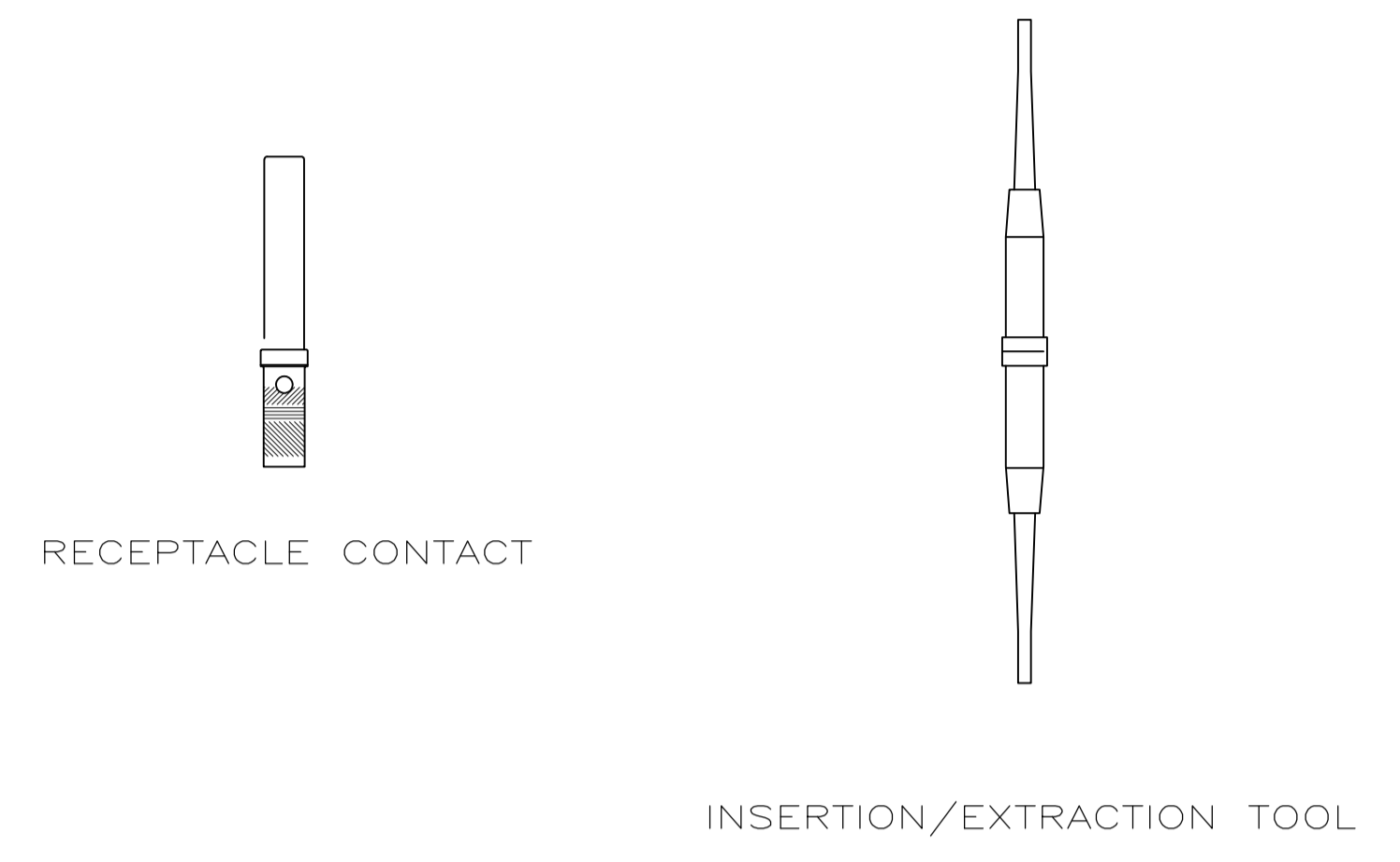
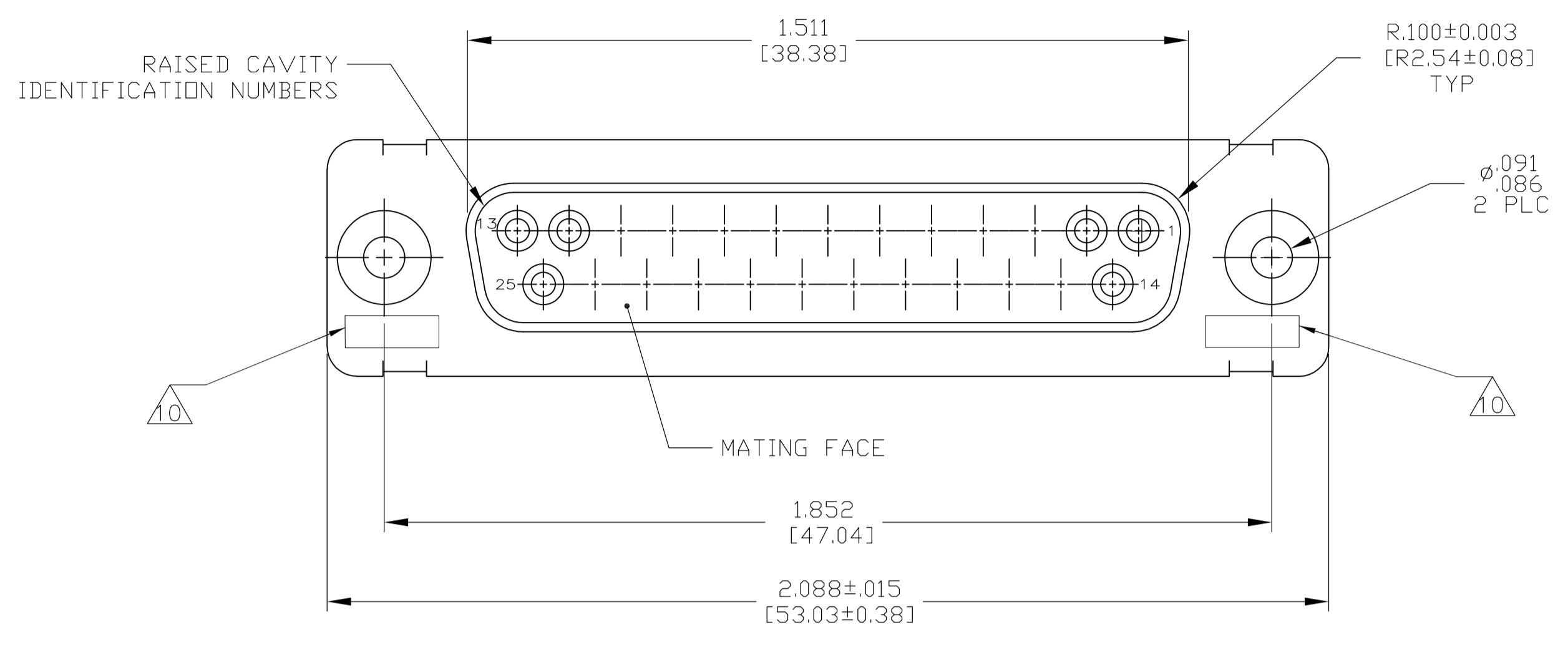


REVISIONS					
P	LTR	DESCRIPTION	DATE	DMN	APVD
C	REV PER ECO	15-016994	2-8-16	CT	CD



- THIS RECEPTACLE WILL MATE WITH ANY 25 POSN, SIZE 3 PLUG IN AMPLIMITE SERIES
- MAXIMUM WIRE INSULATION TO BE USED WITH THIS RECEPTACLE IS .068 DIA
- SST RETENTION CLIPS ARE INCLUDED IN INSERTS
- PACKAGE STAMPED M24308/2-484F & TE PART NUMBER 211527-1
- PACKAGE STAMPED M24308/2-344F & TE PART NUMBER 211527-2
- PACKAGE STAMPED M24308/2-355F & TE PART NUMBER 211527-3
- TE P/N 205090-1, MIL P/N 63-358, INCLUDED IN KIT
- TE P/N 91067-2, MIL P/N M81969/1-02
- CONNECTOR SUPPLIED WITHOUT CONTACTS, SHOWN FOR ILLUSTRATION ONLY
- UL/CSA DESIGNATION STAMPED IN THIS AREA.

SAME AS -1 EXCEPT 5 9	211527-4
SUPERSEDED BY -2 AND 91067-2	211527-3
SAME AS -1 EXCEPT 5 7	211527-2
AS SHOWN 4 9	211527-1
DESCRIPTION	PART NO.

THIS DRAWING IS A CONTROLLED DOCUMENT.

DIMENSIONS: INCHES	TOLERANCES UNLESS OTHERWISE SPECIFIED:	DIN C.C.THOMAS 2-8-16	APVD C.DERRICK 2-8-16
0 PLC ± -	1 PLC ± -	2 PLC ± -	3 PLC ± .005
4 PLC ± -	ANGLES ± -	NAME: RECEPTACLE ASSEMBLY, AMPLIMITE, 25 POSITION, SIZE 3, SERIES 109, W/DUAL FLOATING BUSHINGS	
MATERIAL	FINISH	SIZE: A1	CAGE CODE: 00779
CUSTOMER DRAWING		SCALE: 4:1	SHEET 1 OF 1

STE TE Connectivity

RESTRICTED TO