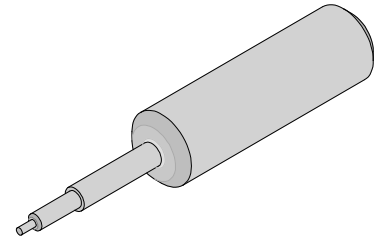




Insertion Tool

Application Tooling Specification Sheet



Order No. 63812-1300

FEATURES

- This Insertion Tool is designed for the insertion of CTX150 Seal Plugs into a CMX 70 or 120 or EURO6 Way connector.

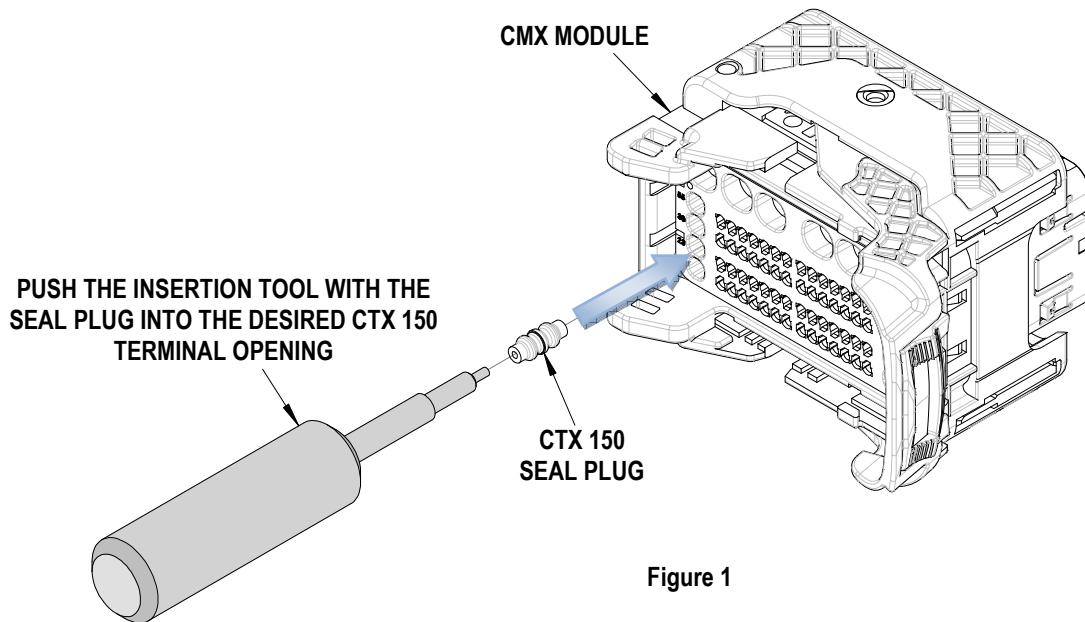
SCOPE

Products: CTX150 Seal Plug for CMX 70 or 120 or EURO6 Way Receptacle Connectors.

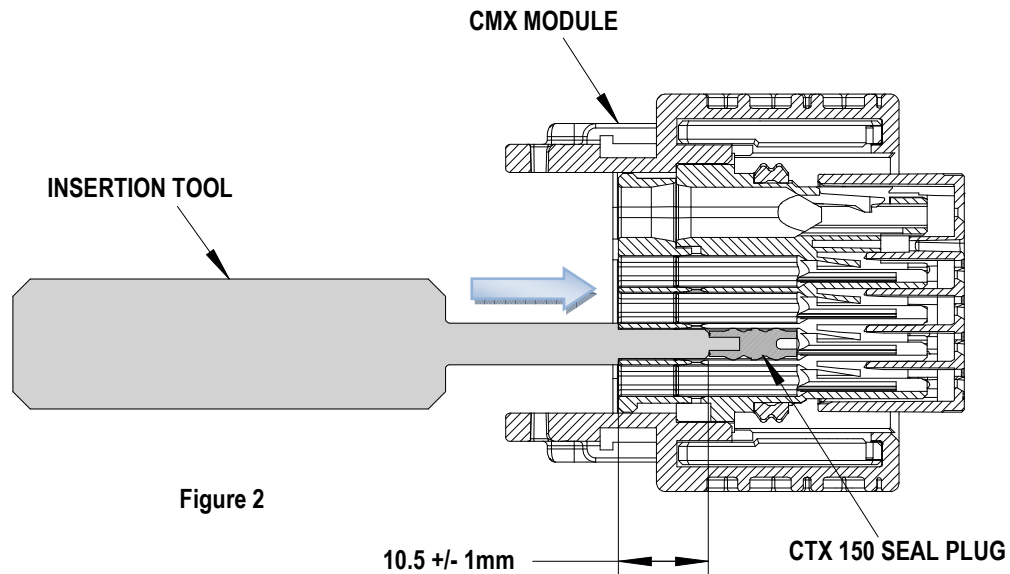
Seal Plug Order No.	Connector Series No.	Connector Order No					
		98492-1088 (Yellow)	34853	34853-0111	34853-0112	34853-0113	34853-0114
34853-0121	34853-0122			34853-0123	34853-0124	34853-0125	34853-0126
34854	34854-0111		34854-0112	34854-0113	34854-0114	34854-0115	34854-0116
	34854-0121		34854-0122	34854-0123	34854-0124	34854-0125	34854-0126

OPERATION:

1. The Seal Plug has a specific direction in which it is inserted into the CMX Module See Figure 1.



2. Gently push the seal plug with the insertion tool into the desired cavity of the CMX Module.
3. The seal plug should be inserted approximately 10.5 +/- 1mm from the opening in the module. See Figure 2.



4. Molex does not offer repair parts for Insertion Tools due to the inexpensive nature of these tools.

CAUTION: Molex specifications are valid only when used with Molex terminals, modules, and tooling.

Contact Information

For more information on Molex application tooling please contact Molex at 1-800-786-6539.

<http://www.molex.com>