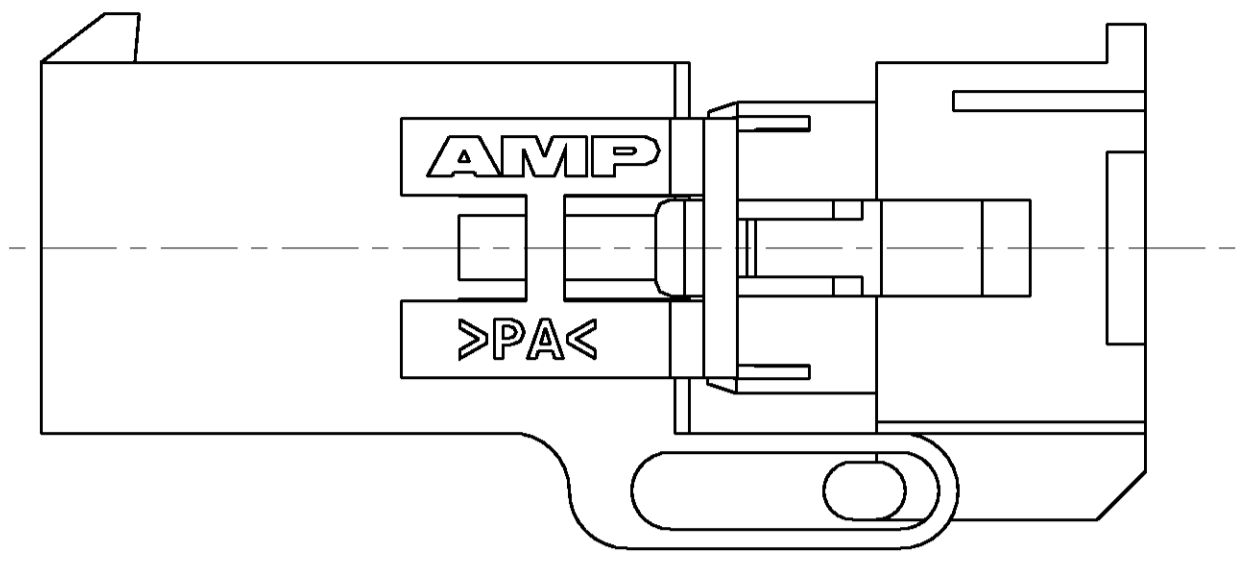
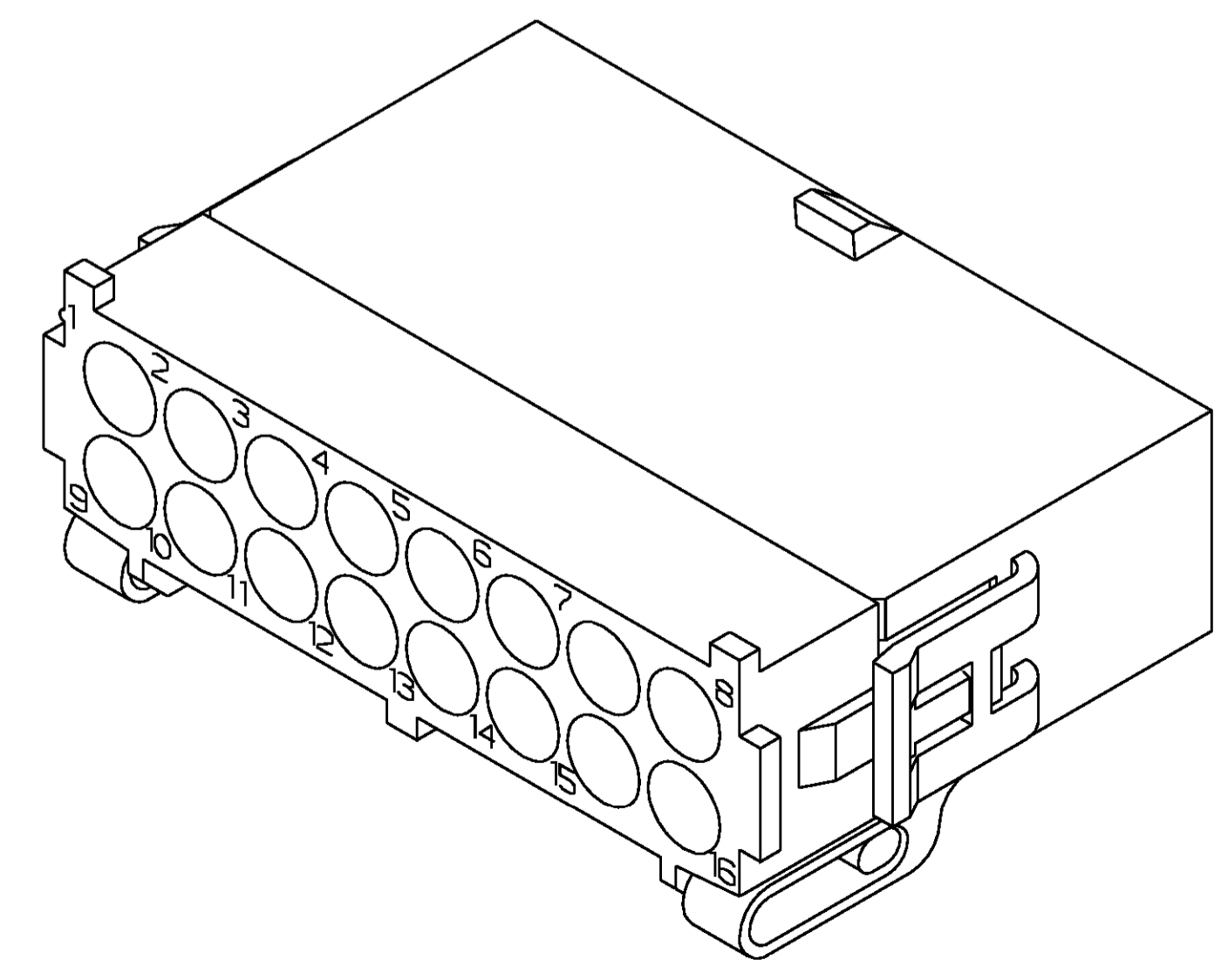
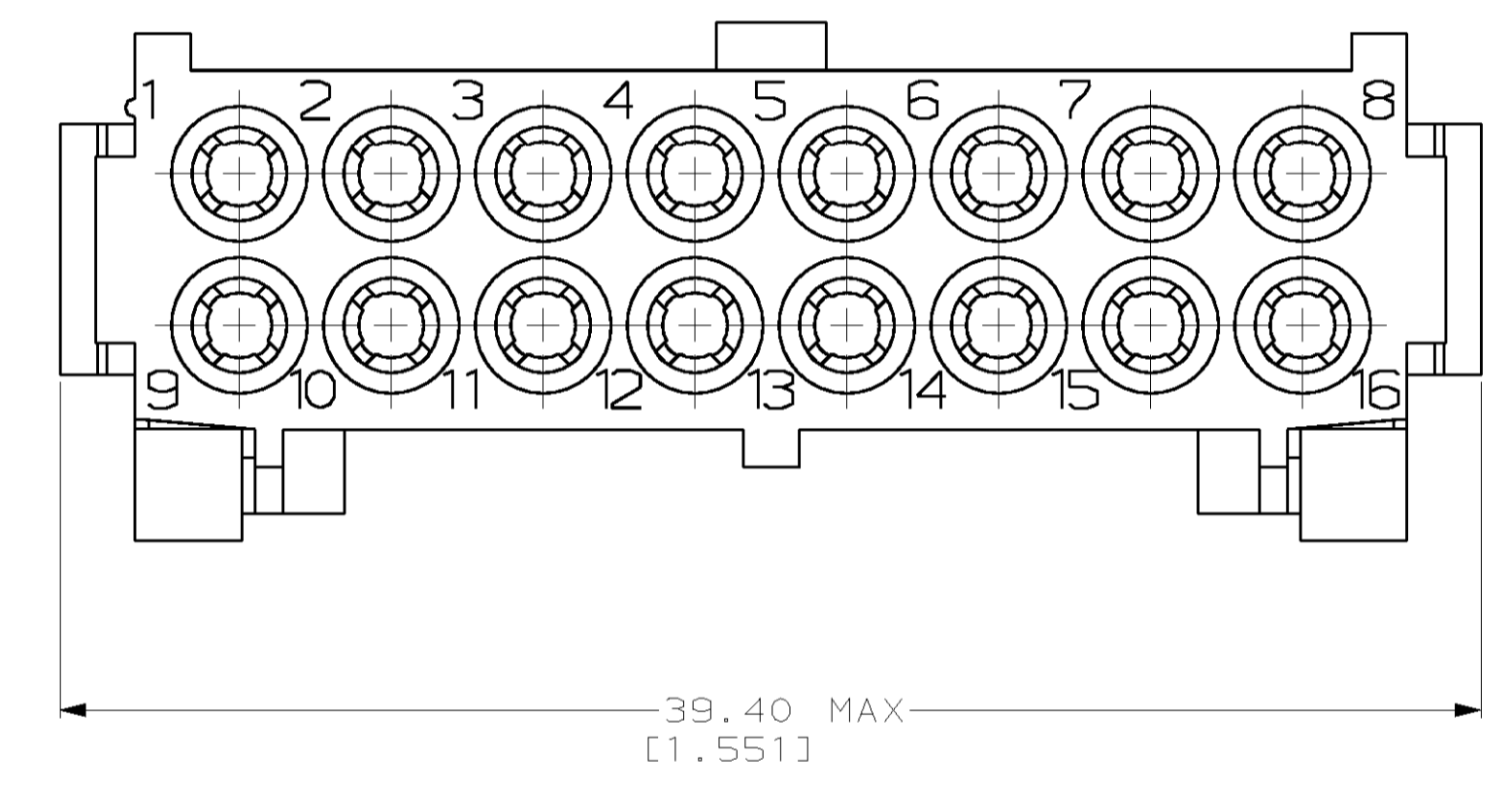
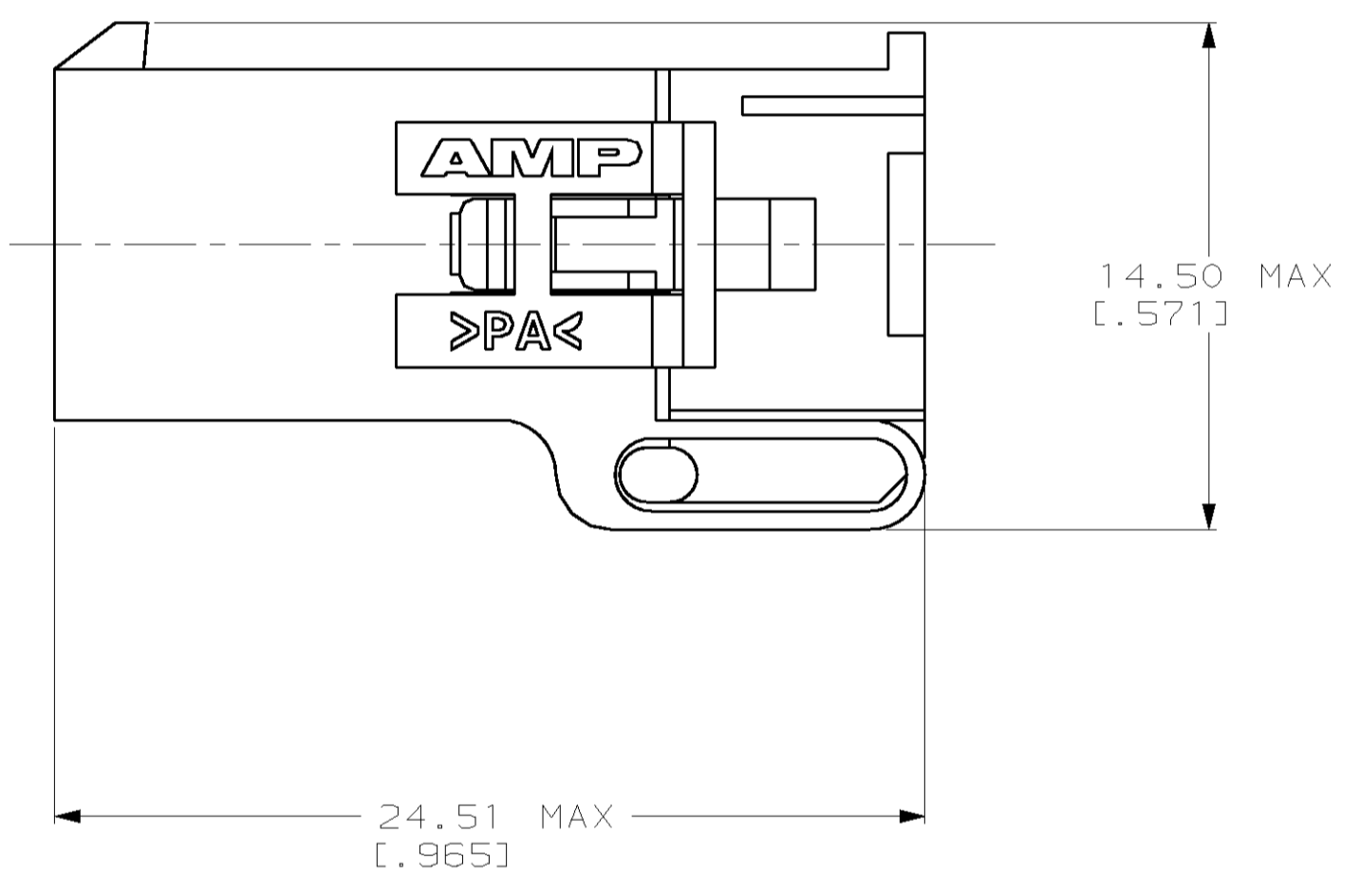
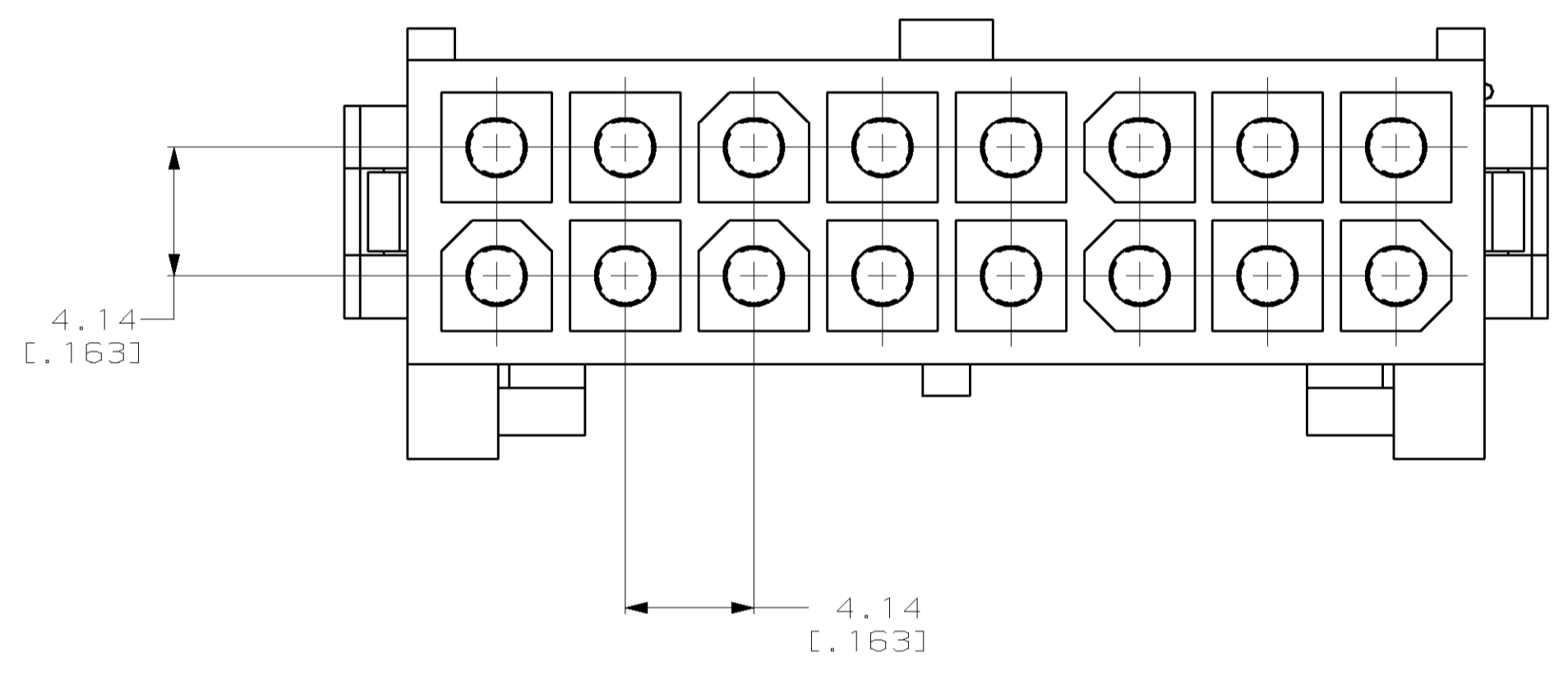


LOC		DIST		REVISIONS			
F	CHR	DATE	BY	APPROV	DESCRIPTION	DATE	BY
B		23-SEP-99	REV PER EC		061B-0094-99		KW KC



PRE-STAGED CONDITION

1. DIMENSIONS IN BRACKETS ARE IN INCHES.



3-DIMENSIONAL MODEL  
NTS

794260-1  
PART NUMBER

**METRIC**

THIS DRAWING IS A CONTROLLED DOCUMENT.		DWN K. WHITAKER 5-19-97	<b>AMP</b> AMP Incorporated Harrisburg, PA 17105-3608
DIMENSIONS: mm		CHK R. SWING 5-19-97	
TOLERANCES UNLESS OTHERWISE SPECIFIED:		APPROV S. ORSTAD 5-19-97	NAME CAP, 16 CIRCUIT, MINI UNIVERSAL MATE-N-LOK™ 2
0 PLC ±	1 PLC ±	PRODUCT SPEC	SIZE CAGE CODE DRAWING NO
2 PLC ±	3 PLC ±0.13 (.005)	APPLICATION SPEC	A1 00779 C-794260
4 PLC ±	ANGLES ±	FINISH	RESTRICTED TO
MATERIAL NYLON, UL 94V-2,NATURAL	FINISH	WEIGHT	SCALE 5:1 SHEET 1 OF 1 REV B
CUSTOMER DRAWING			