

# Analog control kit

## KIT\_600W\_LLC\_AN\_CTRL

From **digital** to **analog** control

for EVAL\_600W\_12V\_LLC evaluation boards

Di Domenico Francesco (IFAT PMM ACDC AE)  
Zechner Florian (IFAT PMM ACDC AE)



# Analog control kit KIT\_600W\_LLC\_AN\_CTRL for EVAL\_600W\_12V\_LLC



**Ordering code:  
KIT\_600W\_LLC\_AN\_CTRL**

This adapter kit is intended for use when replacing a digital control card with its analog alternative. The kit offers as a replacement option Infineon's LLC resonant mode controller ICE2HS01G.

## **Board components**

- > LLC Resonant mode controller ICE2HS01G

## **To be used with the following boards**

- > [EVAL\\_600W\\_12V\\_LLC\\_C7](#)
- > [EVAL\\_600W\\_12V\\_LLC\\_P7](#)

# Product features

## ICE2HS01G

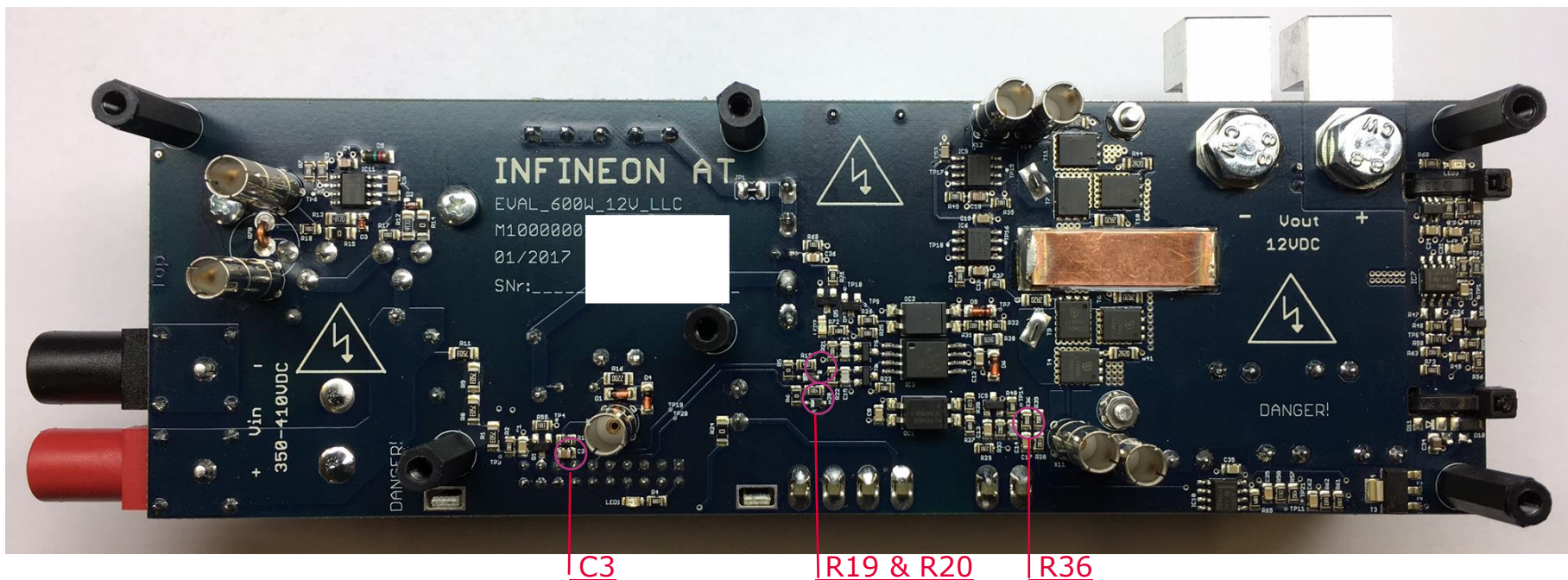
- › Resonant mode controller for half-bridge LLC resonant converter with synchronous rectification drives
- › 20pin DSO package
- › 30 kHz to 1 MHz switching frequency
- › Adjustable minimum switching frequency with high accuracy
- › 50% duty cycle for both primary and secondary gate drives
- › Adjustable dead time with high accuracy
- › Driving signal for synchronous rectification, which supports full operation of half-bridge LLC resonant converter
- › Internal and external disable function for synchronous rectification
- › Mains input under voltage protection with adjustable hysteresis
- › Three levels of overcurrent protection for enhanced dynamic performance
- › Open-loop/over load protection with adjustable blanking time and restart time
- › Adjustable over-temperature protection with latch-off
- › External latch-off enable pin



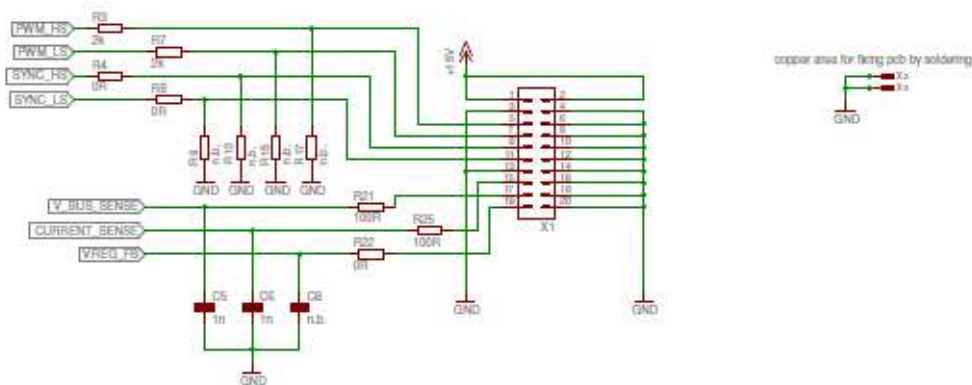
# Bill of material (rework on mainboard)

Part	Value	Pieces	Tolerance	Device	Assembling info.	Manufacturer
C3	470n/50V	1		C-EU_C0805*	Replace with 470n/50V	
R19	4K3	1	±1%	R-EU_R0805 *	Replace with 4K3	
R20	4K3	1	±1%	R-EU_R0805 *	Replace with 4K3	
R36	56R	1		R-EU_R0805 *	Assemble 56R	
IC1	Board	1		KIT_600W_LLC_AN_CTRL		<b>Infineon</b>

\* All needed replacement material is included in the KIT.

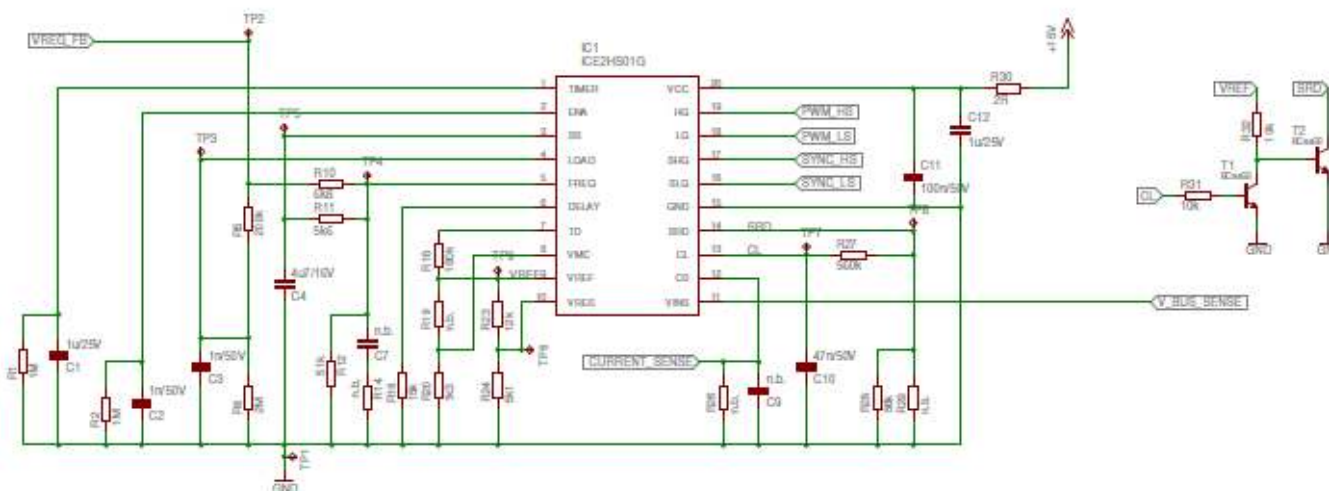


# Schematic



copper areas for filling pcb by soldering

Industrial marks on top layer



# Base board EVAL\_600W\_12V\_LLC\_xx showing analog and digital control card



## Ordering code:

EVAL\_600W\_12V\_LLC\_C7

EVAL\_600W\_12V\_LLC\_P7

Infineon's 600 W 12 V LLC boards showcase how to design a half-bridge LLC stage of a server SMPS with the target to meet 80+ Titanium standard efficiency requirements. The **KIT\_600W\_LLC\_AN\_CTRL** can be used with any of Infineon's EVAL\_600W\_12V\_LLC Boards, replacing the digital control card.

## Application note:

- > [Evaluation Board EVAL\\_600W\\_12V\\_LLC\\_C7 d with 600V CoolMOS™ C7](#)
- > [Evaluation Board EVAL\\_600W\\_12V\\_LLC\\_P7 with 600V CoolMOS™ P7](#)

[www.infineon.com/600W-LLC-eval](http://www.infineon.com/600W-LLC-eval)



## Technical Material

- > Application Notes
- > Simulation Models
- > Datasheets
- > PCB Design Data

> [www.infineon.com/600W-LLC-eval](http://www.infineon.com/600W-LLC-eval)

## Evaluation Boards

- > Evaluation Boards
- > Demoboards
- > Reference Designs

> [www.infineon.com/evaluationboards](http://www.infineon.com/evaluationboards)

## Videos

- > Technical Videos
- > Product Information Videos

> [www.infineon.com/mediacenter](http://www.infineon.com/mediacenter)

# Support Online tools and services



- 1 **Subscribe to Newsletter**
- 2 **Where to Buy**
- 3 **Tools, Finders and Selectors**
- 4 **Support**

- **Products**
  - Applications
  - **Tools**
  - **Support**
  - Technology
- **Power**
  - Automotive System IC
  - ESD & EMI
  - Microcontroller
  - RF & Wireless Control
  - Security IC
  - Sensor
  - Smart Card IC
  - Interface
  - Transistor & Diode
- **Power Overview**
  - Power MOSFET
  - IGBT
  - Smart Low-Side & High-Side Switches
  - Linear Voltage Regulator
  - DC-DC Converter
  - LED Driver | Lighting ICs
  - Silicon Carbide (SiC)
  - High Power Thyristors & Diodes
  - Motor Control & Gate Driver
  - AC-DC Supply

News & Tweets





Part of your life. Part of tomorrow.

