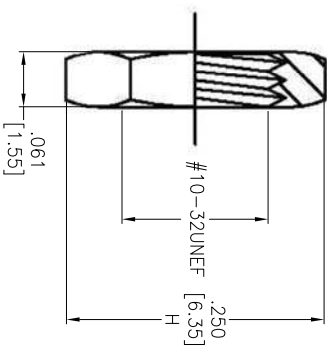
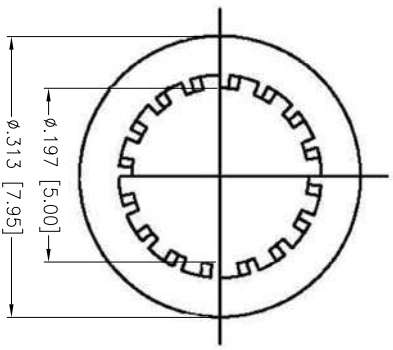
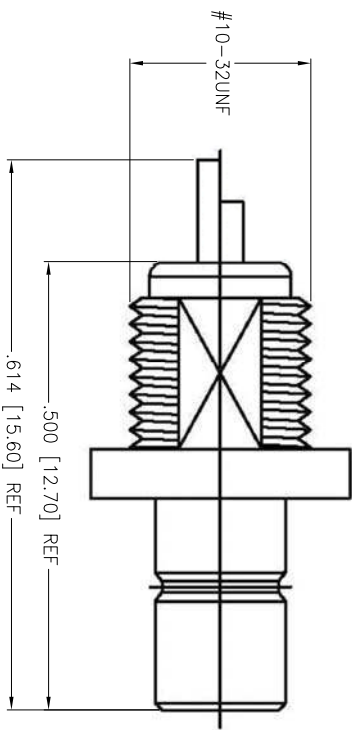


Rev	AWO #	Description	Date	Appr
-		RELEASED	5/11/16	

APPROVED: _____
 DATE: _____ TITLE: _____



DESCRIPTION	MATERIAL	FINISH
WASHER	BRASS	GOLD
NUT	BRASS	GOLD
DIELECTRIC	TEFLON	NONE
DIELECTRIC	TEFLON	NONE
PIN	BRASS	GOLD
BODY	BRASS	GOLD

SPECIFICATIONS:

Electrical:
 Nominal Impedance: 50 ohms
 Frequency range: 0-4 GHz
 Contact Resistance: 6 Milliohms. (Center Contact)
 2.5 Milliohms. (Outer Contact)
 Insulator Resistance: 1000 Megohms.
 Environmental:
 Lead free, RoHS compliant.



UNLESS OTHERWISE SPECIFIED
 ALL DIMENSIONS ARE INCHES [MM]
 TOLERANCES: EXCEPT AS NOTED
 INCHES HOLES
 .X ±.10 Ø.X ±.10
 .XX ±.020 Ø.XXX ±.015
 .XXX ±.015 Ø.XXX ±.010

APPROVALS	DATE
DRAWN AY	5/11/16
CHECKED LL	5/11/16
APPROVED	

ADAM TECH
 909 Rahway Avenue, Union, NJ 07083
 Phone: 908-687-5000 Fax: 908-687-5710

SMB FEMALE BULKHEAD, 50 OHM

SIZE	PART NO.	SCALE	SHEET 1 OF 1
X	RF3-45-T-00-50-G-HDW	NTS	