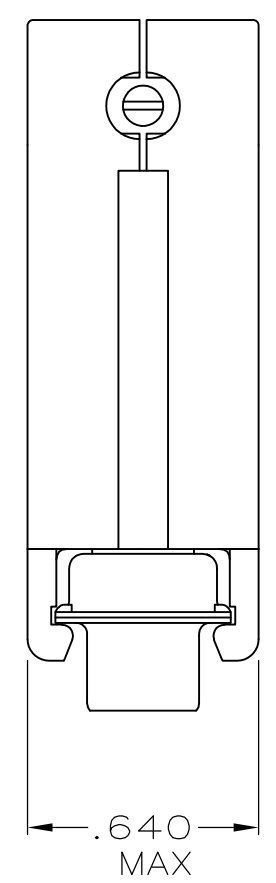
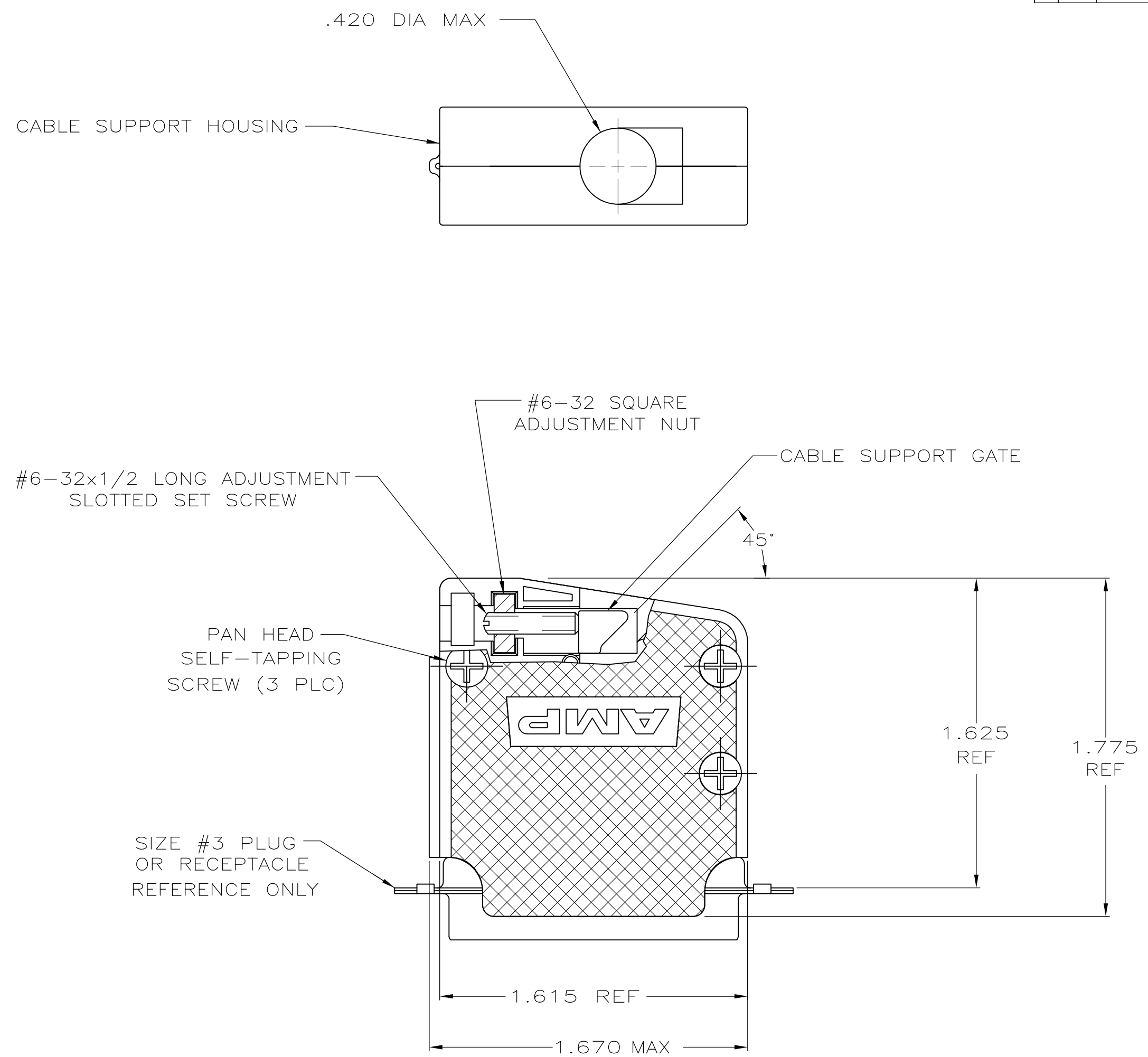


THIS DRAWING IS UNPUBLISHED. RELEASED FOR PUBLICATION
 © COPYRIGHT - By - ALL RIGHTS RESERVED.

LOC	DIST	REVISIONS			
P	LTR	DESCRIPTION	DATE	DWN	APVD
GP	00				
	A	REVISED PER ECO-13-009055	03JUN2013	CJV	CWR



- ① PARTS PACKAGED UNASSEMBLED AS A UNIT KIT.
- ② PARTS INDIVIDUALLY BULK PACKAGED & SHIPPED AS A UNIT PACKAGE KIT.
- ③ MOLDED PARTS: BLACK POLYPROPYLENE. HARDWARE: COLD ROLLED STEEL.
- ④ HARDWARE: ZINC PLATED CLEAR CHROMATE COATING.

**COPYRIGHT 2005
 TYCO ELECTRONICS CORP
 ALL RIGHTS RESERVED**

②	5205718-4
①	5205718-1
PACKAGING	PART NO

THIS DRAWING IS A CONTROLLED DOCUMENT. DIMENSIONING AND TOLERANCING PER ASME Y14.5M-2009		DWN R.RICHARDSON 22AUG05		
DIMENSIONS: INCHES		CHK C.ROHDE 22AUG05		
TOLERANCES UNLESS OTHERWISE SPECIFIED:		APVD M.WALMSLEY 22AUG05	NAME	
0 PLC ± -		PRODUCT SPEC	SELF TAPPED 45°/180° CAB SUPPORT CLAMSHELL, SIZE ASSEMBLY, AMPLIMITE HD-20	
1 PLC ± -		APPLICATION SPEC	SIZE	RESTRICTED TO
2 PLC ± -		WEIGHT	CAGE CODE	DRAWING NO
3 PLC ± .005			A2 00779	C=5205718
4 PLC ± -			SCALE	SHEET
4 PLC ANGLES ± 0°30'			2:1	1 of 1
MATERIAL	FINISH	CUSTOMER DRAWING		REV A
③	④			