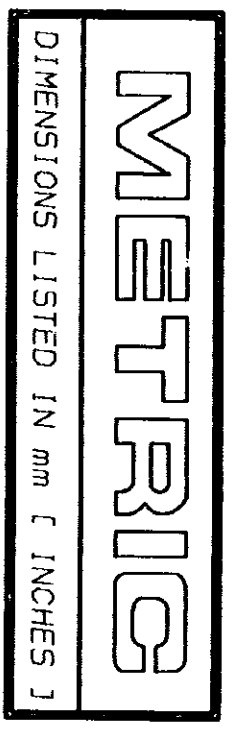
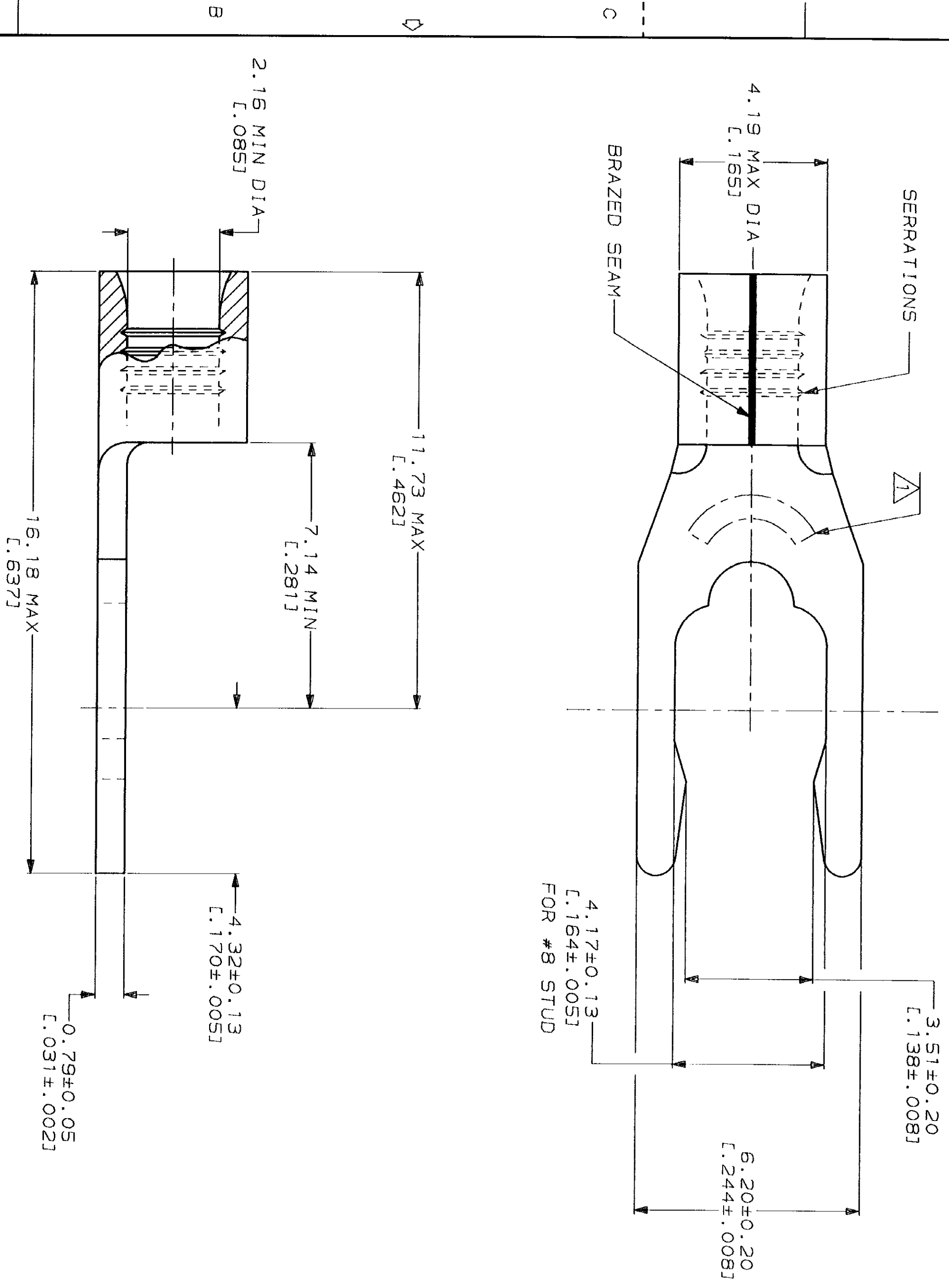


|   |    |   |   |      |     |           |                                      |         |        |
|---|----|---|---|------|-----|-----------|--------------------------------------|---------|--------|
| G | 14 | P | F | ZONE | LTR | REVISIONS | DESCRIPTION                          | DATE    | APPD   |
|   |    |   |   |      |     | C         | REVISED & REDRAWN PER 0720-0040-93   | 3-29-93 | 18 DAP |
|   |    |   |   |      |     |           | REACTIVATED 53833-1 PER 0720-6018-92 |         |        |



|                                |                                |
|--------------------------------|--------------------------------|
| <b>AMP</b><br>WIRE RANGE       | <b>UL</b><br>E13288<br>Listed  |
| 16-14 AWG<br>SOLID OR STRANDED | 16-14 AWG<br>SOLID OR STRANDED |
| <b>LR7189</b><br>Certified     | MILITARY P/N<br>AND CLASS      |
| 16-14 AWG<br>SOLID OR STRANDED | NOT APPLICABLE                 |

STAMP 85 AMP 16-14\* APPROX AS SHOWN  
85 INDICATES STUD SIZE



**AMP INCORPORATED  
CUSTOMER SERVICE SYSTEMS**

|  |  |
|--|--|
| FOR ADDITIONAL PRODUCT INFORMATION OR COPIES OF DRAWINGS AND TECHNICAL DOCUMENTS | PRODUCT INFORMATION CENTER<br>1-800-522-6752 |
| FOR APPLICATION TOOLING INFORMATION  | TOOLING ASSISTANCE CENTER<br>1-800-722-1111  |
| FOR ORDER ENTRY  | 1-800-526-5142                               |

MAX RECOMMENDED OPERATING TEMPERATURE: 170°C MAX  
VOLTAGE RATING: NOT APPLICABLE  
WIRE CROSS SECTIONAL AREA RANGE: 1.04-2.62mm<sup>2</sup> [2,050-5,180] CIR MILS  
SOLID OR STRANDED

DO NOT SCALE PRINT. UNLESS SPECIFIED DIMENSIONS IN mm FINISHES-TOLERANCES ON: 1 PLC DEC # - - 2 PLC DEC # - - 3 PLC DEC # - - ANGLES

DR 3-29-93  
TA BRINKMAN  
CHK 3-29-93  
DA PATTERSON  
APPD 3-29-93  
DE MILLER  
APPD 3-29-93  
JL MECKLEY  
PRODUCT SPEC

|                |             |         |         |
|----------------|-------------|---------|---------|
| QUANTITY       | 5000        | ON TAPE | 53833-2 |
| PACKAGING TYPE | LOOSE PIECE | PART NO | 53833-1 |

**AMP** AMP Incorporated  
Harrisburg, PA 17105-3608

|       |  |
|-------|--|
| NAME  | TERMINAL, SHORT<br>SPRING SPADE, SOLISTRAND™ |
| SIZE  | CAGE CODE 00779 DRAWING NO 53833             |
| SCALE | 10:1 SHEET 1 OF 1                            |