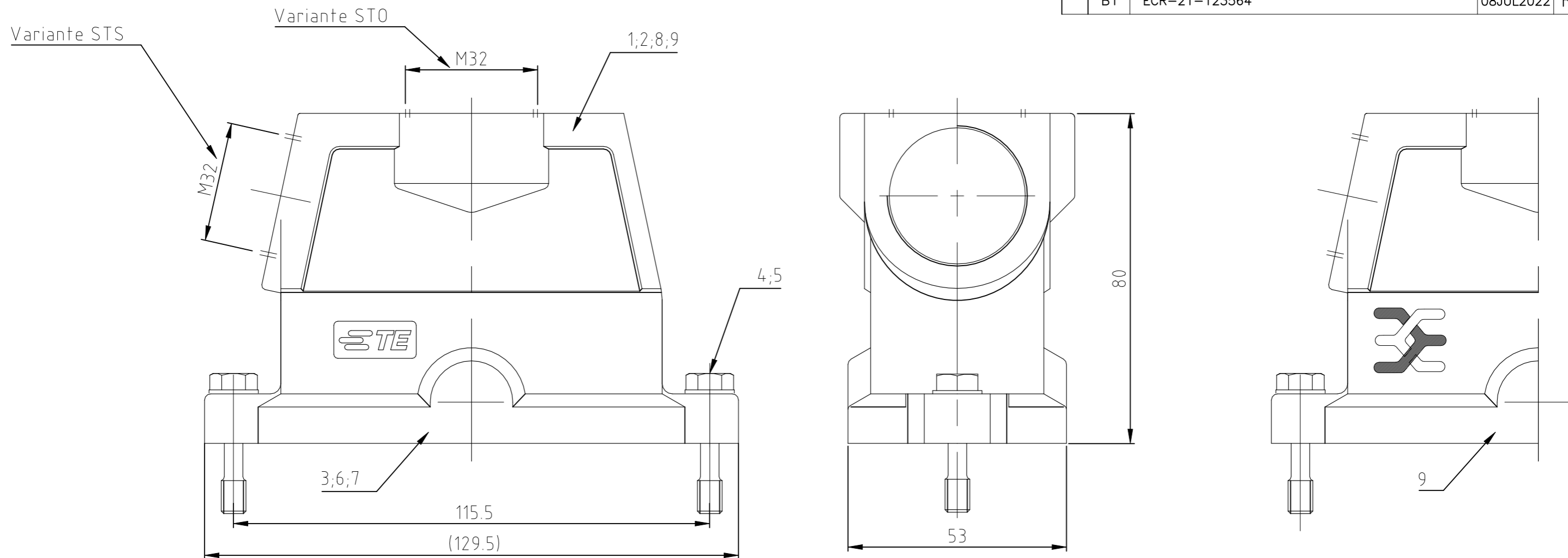



REVISIONS ÄNDERUNGEN				
P	LTR	DESCRIPTION BESCHREIBUNG	DATE	DWN APVD
B1		ECR-21-123564	08JUL2022	RK JB



5	5	5	5	5	5	5	5	5							
1										Hood EMV-K	aluminium/ALU	SEE NOTE \triangle_2	black	9	Weidmüller-logo
	1									Hood EMV-K	aluminium/ALU	SEE NOTE \triangle_2	black	8	without entry / without logo
		1								Hood EMV		grey		7	Side entry
			1							Hood EMV		grey		6	Top entry
2	2	2	2	2	2	2	2	2	2	Pane	V2A	blank		5	B6.4
2	2	2	2	2	2	2	2	2	2	Cylinder screw	V2A	blank		4	M6x30
1	1	1	1	1	1	1	1	1	1	Seal Bg6	Neoprene		black	3	conductive
				1	1	1				Hood EMV-K	aluminium/ALU	SEE NOTE \triangle_2	black	2	Top entry
							1		1	Hood EMV	aluminium/ALU		grey	1	Top entry
1-0	0-9	0-8	0-7	0-6	0-5	0-4	0-2	0-3	0-1	DESCRIPTION / BENENNUNG	MATERIAL	SURFACE / OBERFLÄCHE	COLOR / FARBE	ITEM NO. POS.	REMARKS / BEMERKUNGEN

- Notes:
- \triangle_1 Material: Housing: aluminium diecasting alloy
 - \triangle_2 Surface: chromit AL TCP passivation + Powder coated black
 - \triangle_3 Varnish on the inside not necessarily
 - \triangle_4 Packaging quantity 5 pieces in a carton
 - \triangle_5 OBSOLETE

ORDERING TEXT / BESTELLTEXT	THIS DRAWING IS A CONTROLLED DOCUMENT. DIESE ZEICHNUNG IST EIN KONTROLLIERTES DOKUMENT.		DWN Schneider 29.04.2002	 TE Connectivity
	DIMENSIONS: MASSENEHTEIN: mm	TOLERANCES UNLESS OTHERWISE SPECIFIED: ALLGEMEINTOLERANZEN	CHK Schweiger 29.04.2002	
	APVD -		NAME	
MATERIAL		FINISH/OBERFLÄCHE/FARBE	PRODUCT SPEC PRODUKTSPEZ.	HOOD EMV.16/40.1.M32.G
-		-	APPLICATION SPEC VERARBEITUNGSSPEZ.	SIZE
-		-	WEIGHT GEWICHT	A3
CUSTOMER DRAWING/KUNDENZEICHNUNG			CAGE CODE	DRAWING NO ZEICHNUNGS-NR.
			00779	G-1106446
SCALE MASSTAB 1:1			SHEET BLATT	RESTRICTED TO NUR FUER
			1 OF VON 1	REV B1