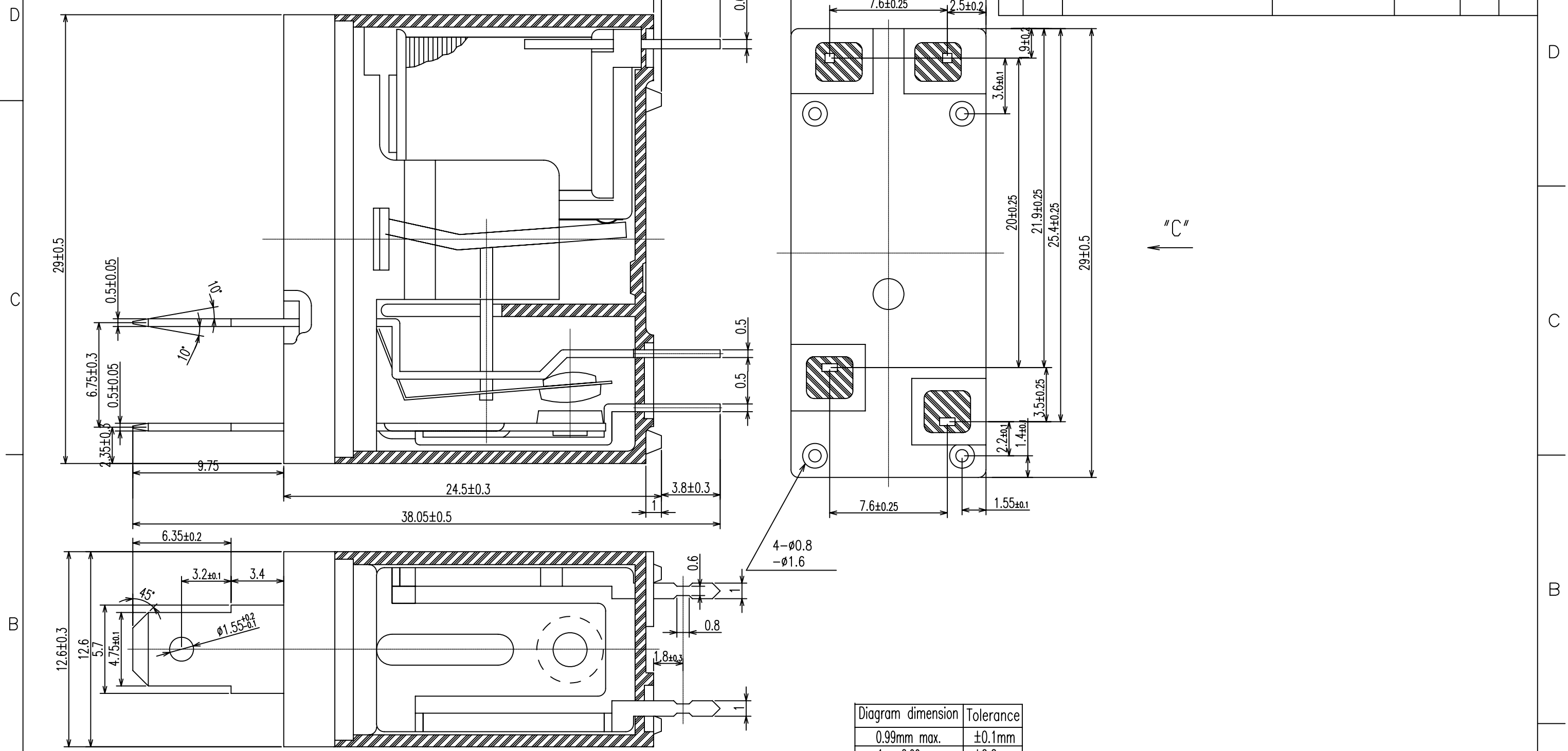


THIS DRAWING IS UNPUBLISHED. RELEASED FOR PUBLICATION  
 © COPYRIGHT BY TYCO ELECTRONICS CORPORATION. ALL RIGHTS RESERVED.

LOC HH DIST

REVISIONS

P	LTR	DESCRIPTION	ECN	DATE	DWN	APVD
	A	RELEASE		25-OCT-06	F.B	Y.W



4-∅0.8  
-∅1.6

Diagram dimension	Tolerance
0.99mm max.	±0.1mm
1 - 2.99mm	±0.2mm
3mm min.	±0.3mm

THIS DRAWING IS A CONTROLLED DOCUMENT FOR TYCO ELECTRONICS CORPORATION IT IS SUBJECT TO CHANGE AND THE CONTROLLING ENGINEERING ORGANIZATION SHOULD BE CONTACTED FOR THE LATEST REVISION.		DWN Fu.Bo		Tyco Electronics EC K.K. Tochigi, Japan									
DIMENSIONS: mm		CHK XN,Zhang											
TOLERANCES UNLESS OTHERWISE SPECIFIED:		APVD YAN,WEN		OMIF-S-LM ,000 CUSTOMER DRAWING									
<table border="0"> <tr><td>0 PLC</td><td>±</td></tr> <tr><td>1 PLC</td><td>±</td></tr> <tr><td>2 PLC</td><td>±</td></tr> <tr><td>3 PLC</td><td>±</td></tr> <tr><td>4 PLC</td><td>±</td></tr> </table>		0 PLC	±			1 PLC	±	2 PLC	±	3 PLC	±	4 PLC	±
0 PLC	±												
1 PLC	±												
2 PLC	±												
3 PLC	±												
4 PLC	±												
MATERIAL SEE MATERIAL TABLE		FINISH		APPLICATION SPEC									
		WEIGHT		RESTRICTED TO									
		CUSTOMER DRAWING		SIZE A3 GAGE CODE 00779 DRAWING NO 1419123-9									
				SCALE 4:1 SHEET 1 of 2									
				REV A									

A

A

8

7

6

5

4

3

2

1

B

B

C

C

D

D

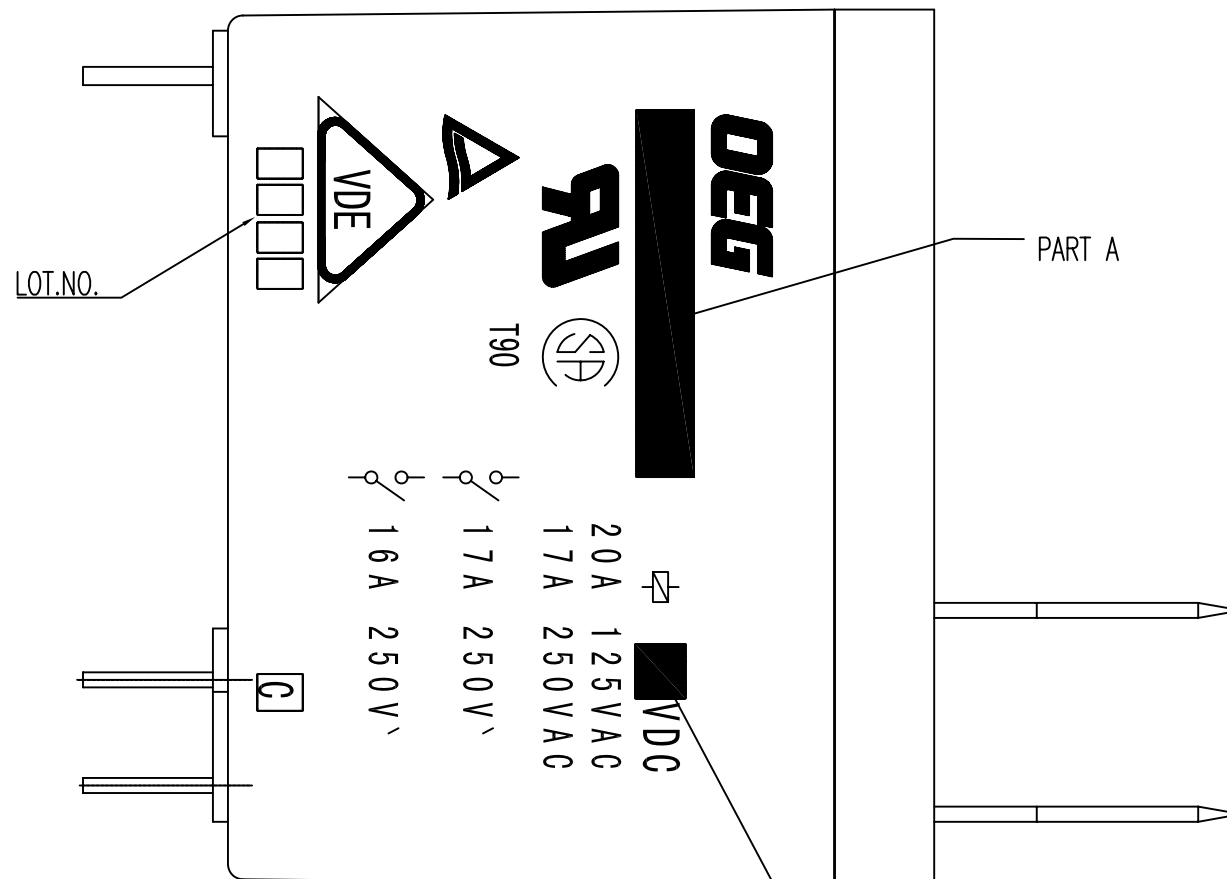
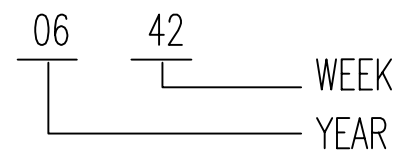
THIS DRAWING IS UNPUBLISHED. RELEASED FOR PUBLICATION  
 © COPYRIGHT BY TYCO ELECTRONICS CORPORATION. ALL RIGHTS RESERVED.

LOC HH	DIST	REVISIONS						
		P	LTR	DESCRIPTION	ECN	DATE	DWN	APVD

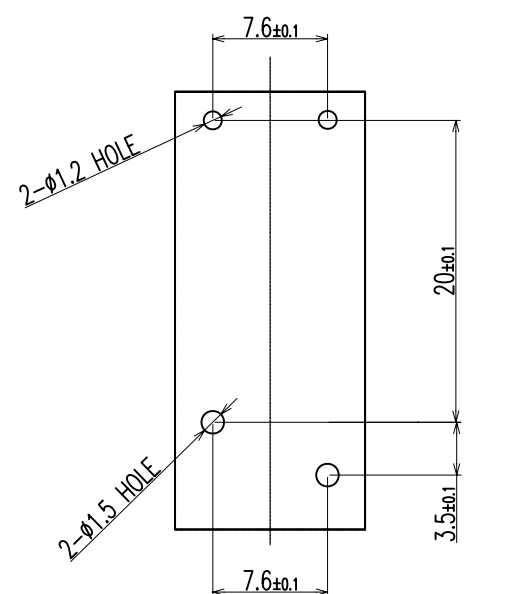
2-1419123-7	OMIF-S-124LM,000	24	OMIF-S-124LM	d
2-1419123-2	OMIF-S-118LM,000	18	OMIF-S-118LM	c
1419123-9	OMIF-S-112LM,000	12	OMIF-S-112LM	b
1419123-7	OMIF-S-109LM,000	9	OMIF-S-109LM	a
PART NO	EC TYPE NO	PART B	PART A	TYPE

RELAY TYPE

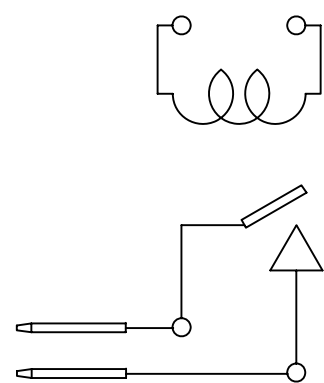
NOTE.  
 1.THE LOT NO. ACCORDING TO THE FOLLOWING:



VIEW CF MARKING



DRILLING DIAGRAM (BOTTOM VIEW)(2/1)



CONNECTION DIAGRAM

AR	AR	AR	AR			EPOXY RESIN	SEAL	16	
AR	AR	AR	AR			UEW	MAGNETIC WIRE	15	
1	1	1	1	94V-0		PBT	CASE	14	
1	1	1	1	94V-0		PET	BASE	13	
1	1	1	1	94V-0		PBT	BOBBIN	12	
2	2	2	2		SOLDER DIP	CP WIRE	COIL TERMINAL	11	
1	1	1	1	94V-0		PPS	CARD	10	
1	1	1	1			Ag ALLOY	MOVABLE CONTACT	9	
1	1	1	1			Ag ALLOY	STATIONARY CONTACT	8	
1	1	1	1			Cu ALLOY	HINGE SPRING	7	
1	1	1	1		SOLDER DIP	Cu ALLOY	MOVABLE SPRING	6	
1	1	1	1		SOLDER DIP	Cu ALLOY	C-TERMINAL	5	
1	1	1	1		FMN 2	Cu ALLOY	M-TERMINAL	4	
1	1	1	1		FMN 2	STEEL	CORE	3	
1	1	1	1		FMN 2	STEEL	ARMATURE	2	
1	1	1	1		FMN 2	STEEL	YOKE	1	
d	c	b	a		INCOMBUSTIBILITY	TREATMENT	MATERIAL	DESCRIPTION	ITEM

THIS DRAWING IS A CONTROLLED DOCUMENT FOR TYCO ELECTRONICS CORPORATION  
 IT IS SUBJECT TO CHANGE AND THE CONTROLLING ENGINEERING ORGANIZATION  
 SHOULD BE CONTACTED FOR THE LATEST REVISION.

DWN Fu.Bo  
 CHK XN,Zhang  
 APVD YAN,WEN  
 PRODUCT SPEC  
 APPLICATION SPEC  
 WEIGHT

**tyco Electronics** Tyco Electronics EC K.K.  
 Tochigi, Japan

OMIF-S-LM ,000 CUSTOMER DRAWING

SIZE A3 GAGE CODE 00779 DRAWING NO 1419123-9 RESTRICTED TO

CUSTOMER DRAWING SCALE 4:1 SHEET 2 of 2 REV A