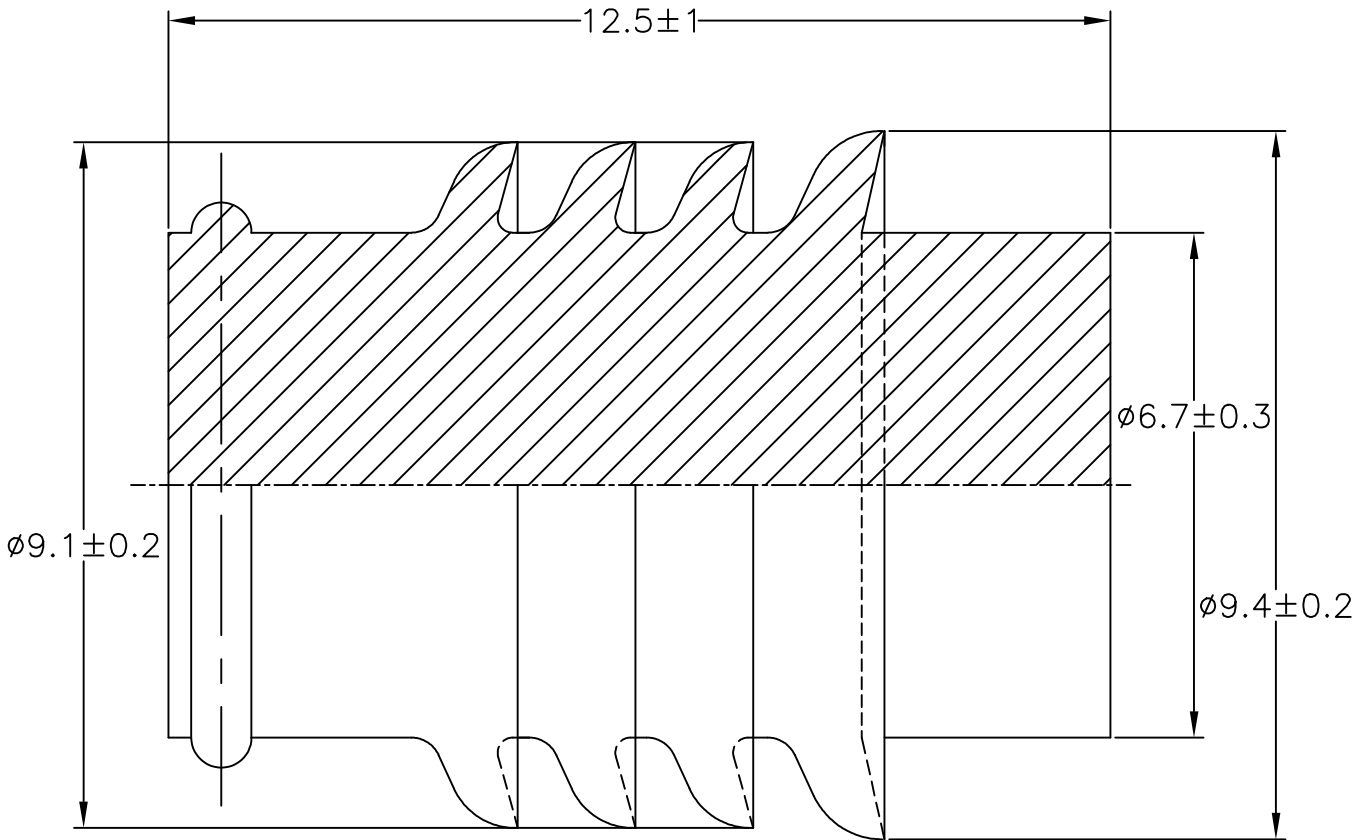


REVISIONS				
P	LTR	DESCRIPTION	DATE	APVD
	B	REVISED ECR-17-017339	29NOV2017	DM TK



- ① 材料 ; NBR フタル酸フリー
- ① MATERIAL ; NBR NON-BIS TYPE


NBR ①	BLACK	2822358-1
MATERIAL	COLOR	PART NUMBER

THIS DRAWING IS UNPUBLISHED.

RELEASED FOR PUBLICATION NOV , 2017.

ALL RIGHTS RESERVED.

© COPYRIGHT 2017 By Tyco Electronics Japan C.K.

DIMENSIONS: mm	DWN D.MATSUURA	06AUG2014	MATERIAL SEE TABLE	FINISH -
	CHK S.IWATANI	06AUG2014	 TE Connectivity	
TOLERANCES UNLESS OTHERWISE SPECIFIED:	APVD T.KOHNO	06AUG2014		
	0 PLC ± -	PRODUCT SPEC 108-5179	SIZE A4	CAGE CODE 00779
1 PLC ± -	APPLICATION SPEC -	DRAWING NO C= 2822358	RESTRICTED TO -	
2 PLC ± -	WEIGHT 0.65 g	SCALE 10:1	SHEET 1 OF 1	
3 PLC ± -	CUSTOMER DRAWING	REV B		
4 PLC ± -				
ANGLES ± -				