

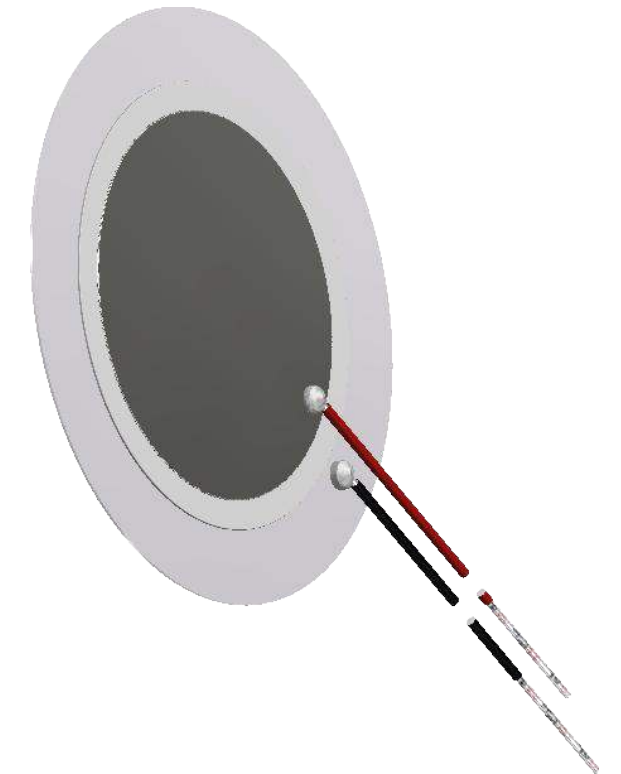
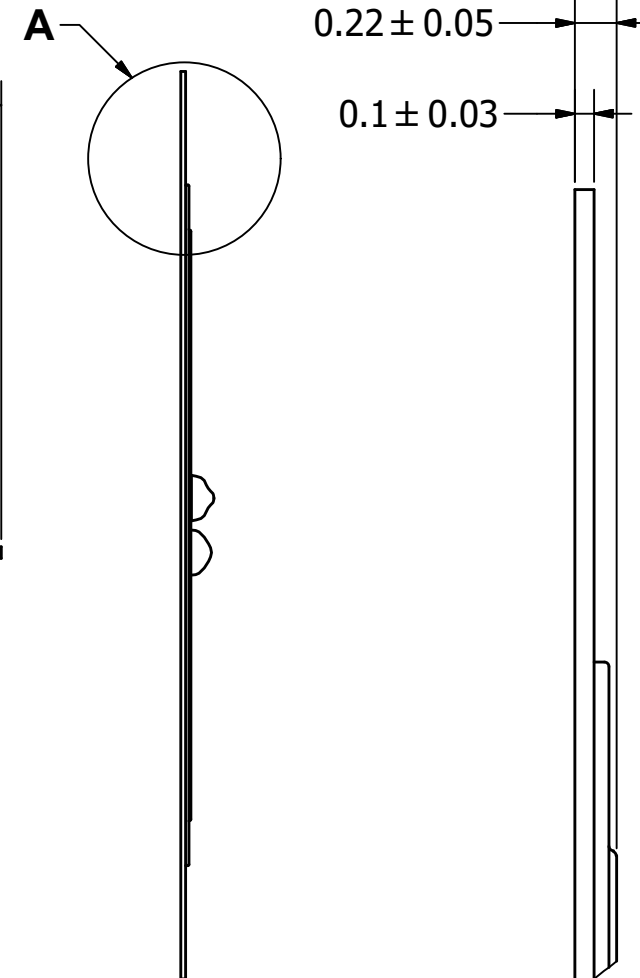
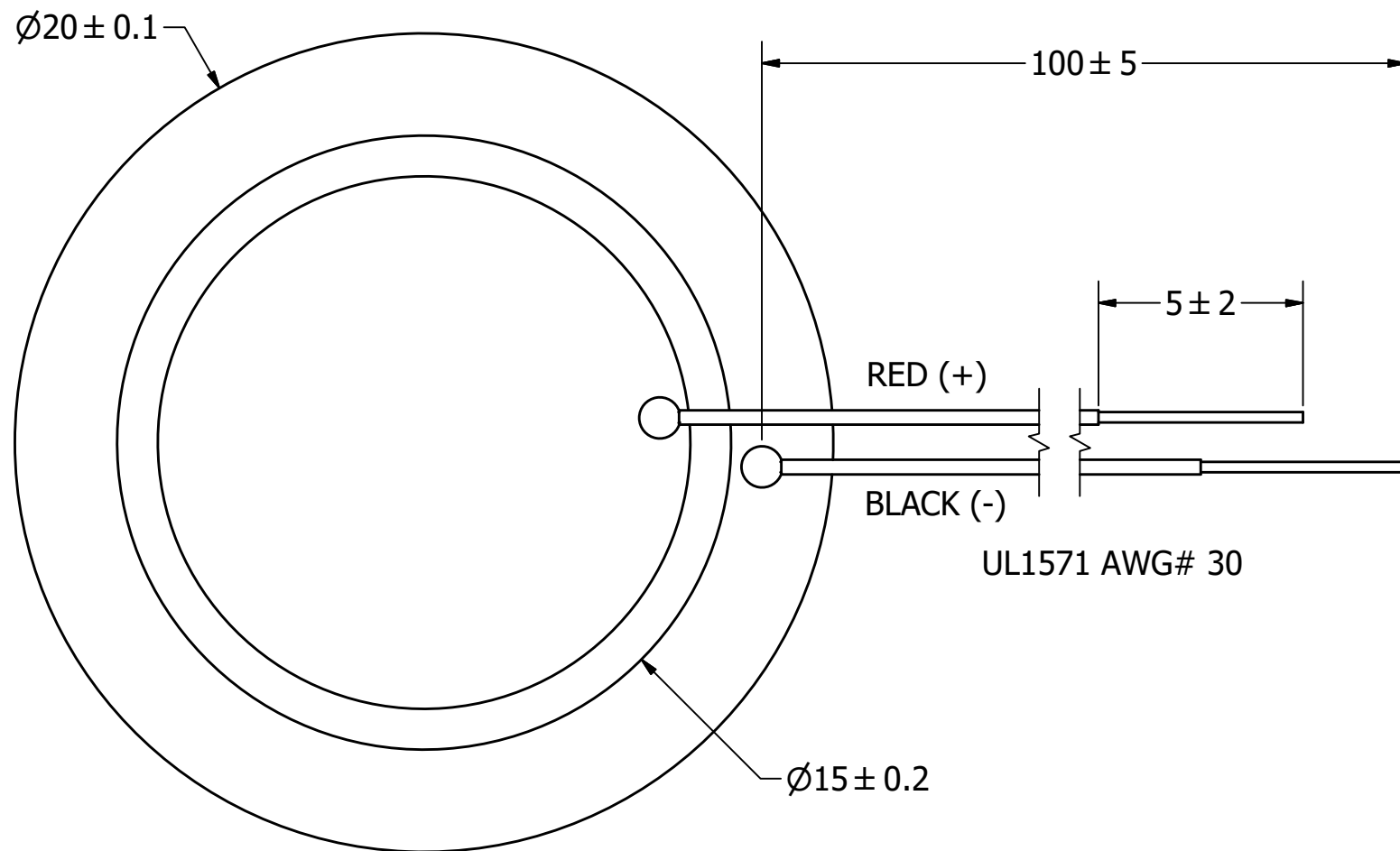
SPECIFICATIONS

PARAMETERS	VALUES	UNITS
RESONANT FREQUENCY	4,000 ± 500	Hz
RESONANT IMPEDANCE (MAX)	350	Ohm
MAX INPUT VOLTAGE	30	Vp-p
CAPACITANCE @ 100 HZ	22,000 ± 30%	pF
PLATE MATERIAL	STAINLESS STEEL	-
OPERATING TEMPERATURE	-20 ~ +60	°C
STORAGE TEMPERATURE	-20 ~ +70	°C

THIS DOCUMENT CONTAINS DATA PROPRIETARY TO PROJECTS UNLIMITED, INC. ANY USE OR REPRODUCTION, IN ANY FORM, WITHOUT PRIOR WRITTEN PERMISSION OF PROJECTS UNLIMITED, INC. IS PROHIBITED.
©2003, Projects Unlimited Inc.

REVISION HISTORY


LTR	DESCRIPTION	DATE	APPROVED
-	RELEASED FROM ENGINEERING	11/25/2013	
A	REVISED FREQUENCY OF CAPACITANCE SPECIFICATION	02/12/2020	M.V.



A (25 : 1)

NOTES:

1. ALL DIMENSIONS ARE IN MILLIMETERS.
2. SPECIFICATIONS SUBJECT TO CHANGE OR WITHDRAWL WITHOUT NOTICE.
3. THIS PART IS RoHS 2011/65/EU COMPLIANT.

UNLESS OTHERWISE SPECIFIED: DIMENSIONS ARE IN MILLIMETERS, TOLERANCES ARE ± 0.5 AND ANGLES ARE $\pm 3^\circ$.	SIZE	Designed by	Date	Checked by	Date	Approved by	Date	Drawn Date
	A3	J.D.	11/25/2013	X.X.	11/25/2013	X.X.	11/25/2013	11/25/2013
AB2040S-LW100-R.idw				AB2040S-LW100-R				
		Bender				Edition -	Sheet 1 / 1	