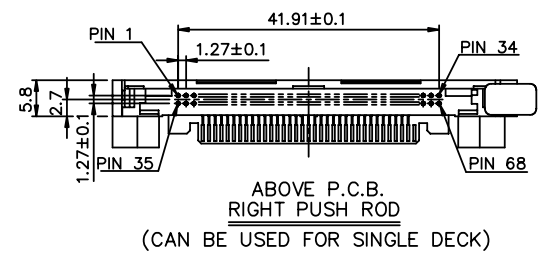
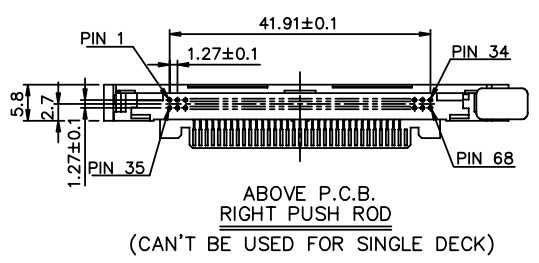
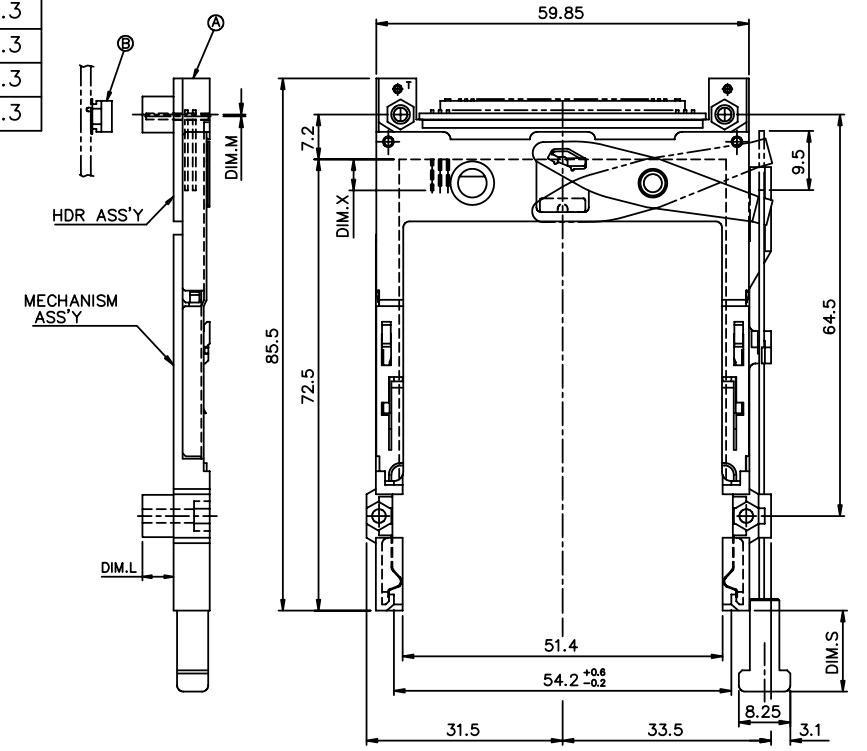
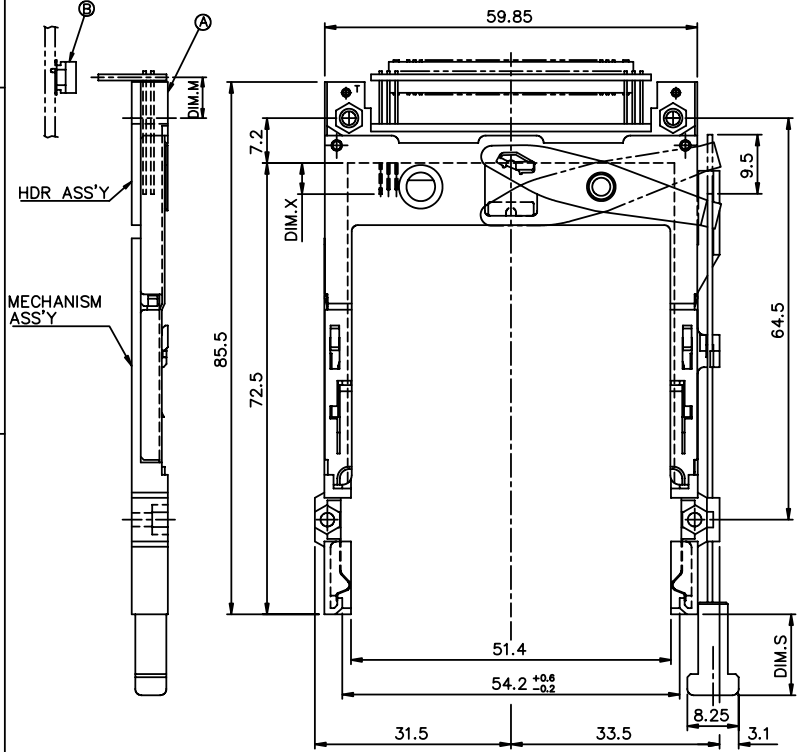


Tous droits strictement réservés. Reproduction ou communication à des tiers sans autorisation écrite du propriétaire.  
 Property of © BERG ELECTRONICS.  
 Copyright BERG ELECTRONICS by

All rights strictly reserved. Reproduction or issue to third parties in any form without written authority from the proprietor.  
 Property of © BERG ELECTRONICS.  
 Copyright BERG ELECTRONICS by

| PRODUCT NO. | DIM.M |
|-------------|-------|
| 95547-005** | 10.0  |
| 95547-025** | 9.0   |
| 95547-045** | 6.55  |
| 95547-055** | 6.55  |

| PRODUCT NO.  | DIM.M |
|--------------|-------|
| 95547-020**  | 2.15  |
| 95547-040**  | -0.3  |
| 95547-050**  | -0.3  |
| 95547-050**H | -0.3  |
| 95547-250**  | -0.3  |



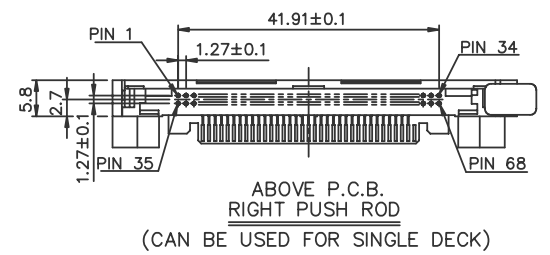
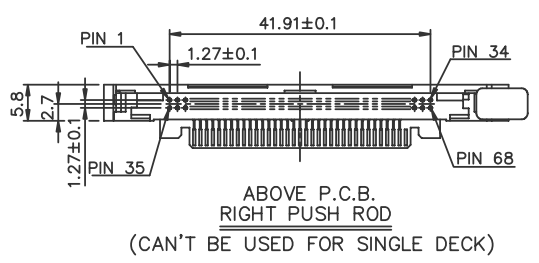
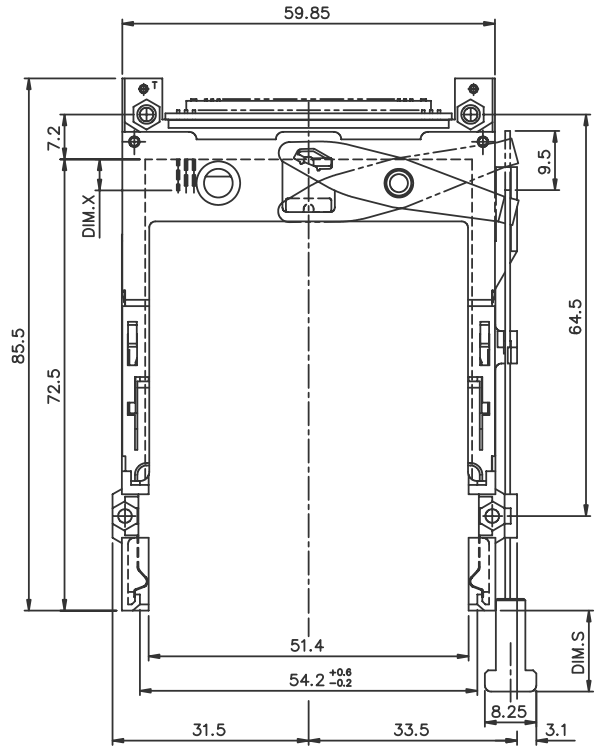
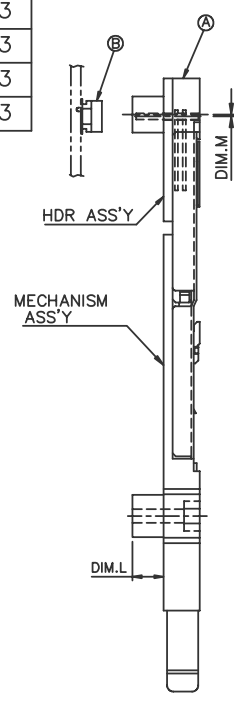
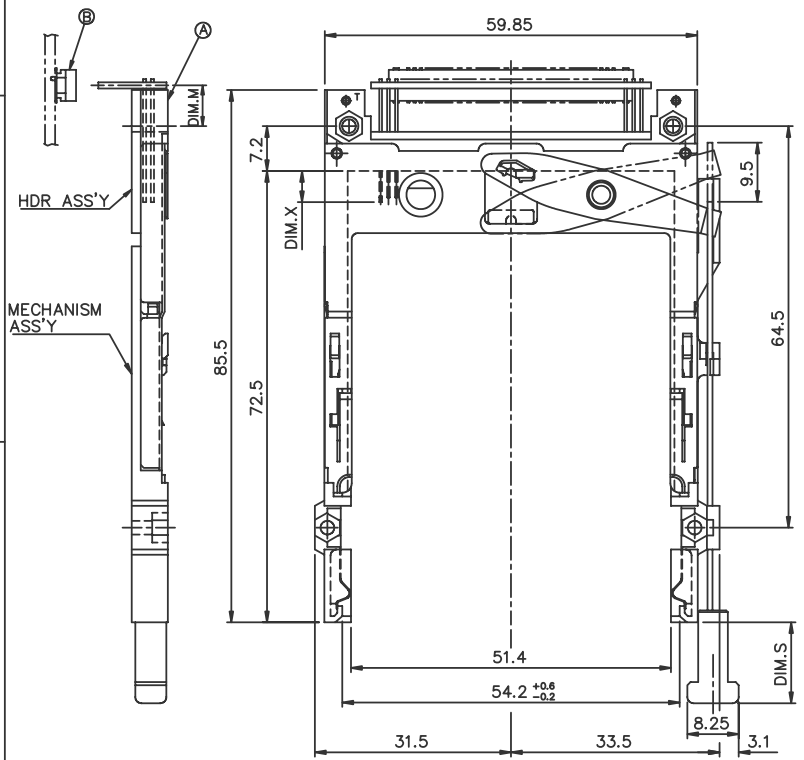
| mat'l code |          | tolerance unless otherwise specified |          | CUSTOMER COPY |             | FCI        |                      | www.fclconnect.com |         |   |    |    |    |  |  |  |  |  |  |  |
|------------|----------|--------------------------------------|----------|---------------|-------------|------------|----------------------|--------------------|---------|---|----|----|----|--|--|--|--|--|--|--|
| rev.       | ecn no.  | dr                                   | date     | linear        | ± 0.30      | projection | title                |                    |         |   |    |    |    |  |  |  |  |  |  |  |
| N          | N06-0034 | M Z                                  | 02/14/06 | angles        | ± 2°        |            | EJECTOR HEADER ASS'Y |                    |         |   |    |    |    |  |  |  |  |  |  |  |
| H          | T00234   | WL                                   | 07/28/00 |               |             |            | product family       |                    | code    |   |    |    |    |  |  |  |  |  |  |  |
| J          | T00374   | WL                                   | 12/20/00 | dr            | WENDY CHEN  | 01/27/95   | unit                 | PCMCIA             |         |   |    |    |    |  |  |  |  |  |  |  |
| K          | T10149   | WL                                   | 05/18/01 | enr           | JOSEPH HSIA | 01/27/95   | mm/inch              | size               | dwg no. |   |    |    |    |  |  |  |  |  |  |  |
| L          | T03-0209 | WL                                   | 06/02/03 | chr           | JOSEPH HSIA | 01/27/95   | scale                | A3                 | 95547   |   |    |    |    |  |  |  |  |  |  |  |
| M          | N04-0092 | WB                                   | 12/01/04 | appd          | JENN TSAO   | 01/27/95   |                      |                    | sheet   |   |    |    |    |  |  |  |  |  |  |  |
| sheet      | revision | L                                    | M        | L             | N           | L          | M                    | L                  | M       | N | L  |    |    |  |  |  |  |  |  |  |
| index      | sheet    | 1                                    | 2        | 3             | 4           | 5          | 6                    | 7                  | 8       | 9 | 10 | 11 | 12 |  |  |  |  |  |  |  |

Tous droits strictement réservés. Reproduction ou communication à des tiers sans autorisation écrite du propriétaire.  
 Property of c BERG ELECTRONICS.  
 Copyright BERG ELECTRONICS by

All rights strictly reserved. Reproduction or issue to third parties in any form without written authority from the proprietor.  
 Property of c BERG ELECTRONICS.  
 Copyright BERG ELECTRONICS by

| PRODUCT NO.   | DIM.M |
|---------------|-------|
| 95547-005**LF | 10.0  |
| 95547-025**LF | 9.0   |
| 95547-045**LF | 6.55  |
| 95547-055**LF | 6.55  |

| PRODUCT NO.    | DIM.M |
|----------------|-------|
| 95547-020**LF  | 2.15  |
| 95547-040**LF  | -0.3  |
| 95547-050**LF  | -0.3  |
| 95547-050**HLF | -0.3  |
| 95547-250**LF  | -0.3  |

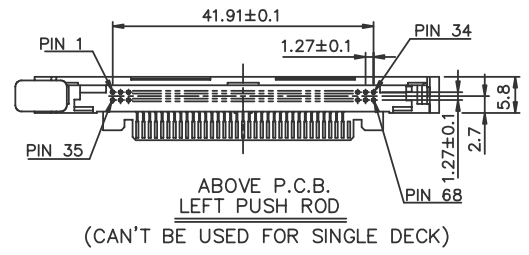
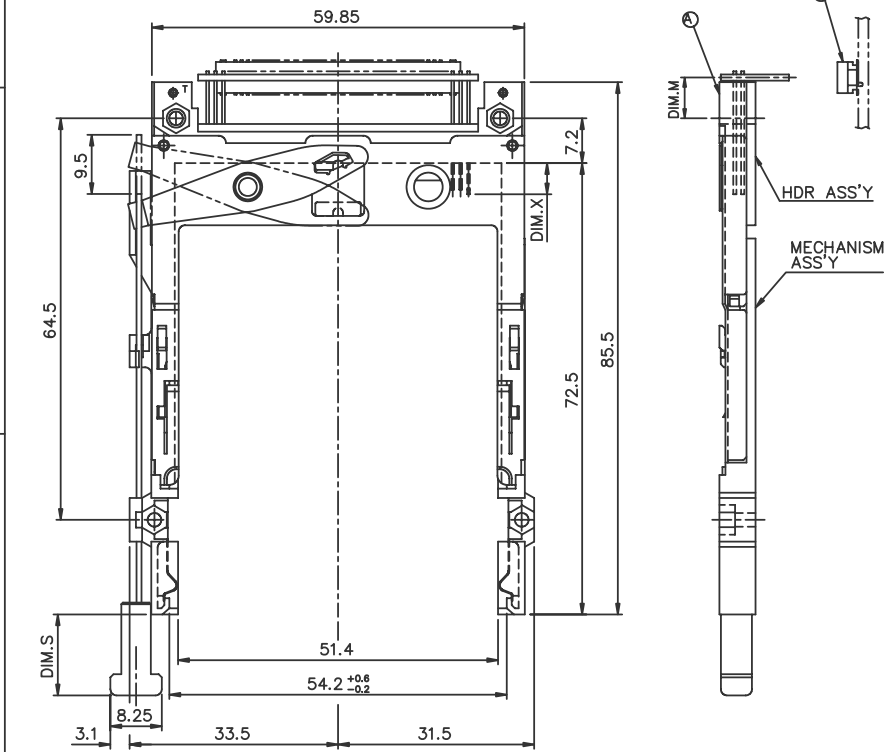


|            |         |                                      |      |                |             |                        |  |
|------------|---------|--------------------------------------|------|----------------|-------------|------------------------|--|
| mat'l code |         | tolerance unless otherwise specified |      | CUSTOMER COPY  |             | <br>www.fclconnect.com |  |
| rev.       | ecn no. | dr                                   | date | linear         | ± 0.30      | projection             | title  |
| M          |         |                                      |      | angles         | ± 2°        |                        | EJECTOR HEADER ASS'Y<br>5.0V, SMT TYPE 1/2/3 |
|            |         |                                      |      | dr             | WENDY CHEN  | 01/27/95               | unit   |
|            |         |                                      |      | enr            | JOSEPH HSIA | 01/27/95               | mm/inch                                      |
|            |         |                                      |      | chr            | JOSEPH HSIA | 01/27/95               | scale  |
|            |         |                                      |      | appd           | JENN TSAO   | 01/27/95               | A3   |
| sheet      |         | revision                             |      | product family |             | PCMCIA                 |  |
| index      |         | sheet                                |      | size           |             | dwg no.                |  |
|            |         |                                      |      | A3             |             | 95547                  |  |
|            |         |                                      |      | sheet          |             | 2 of                   |  |

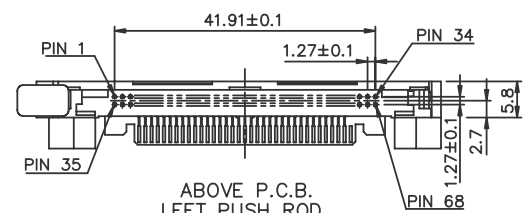
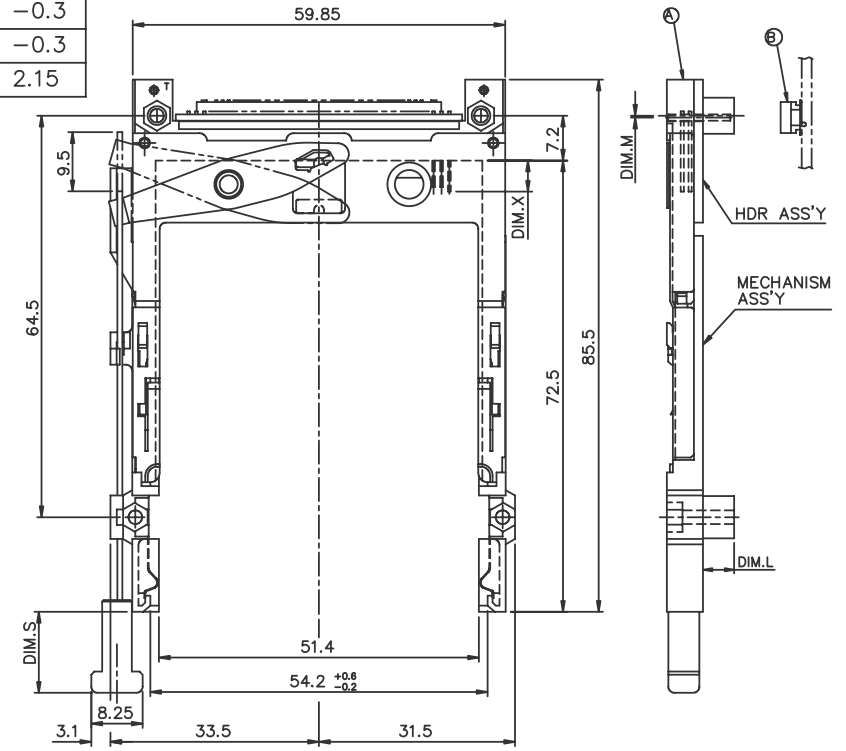
Tous droits strictement réservés. Reproduction ou communication à des tiers sans autorisation écrite du propriétaire.  
 Property of c BERG ELECTRONICS.  
 Droits de reproduction BERG ELECTRONICS by

All rights strictly reserved. Reproduction or issue to third parties in any form without written authority from the proprietor.  
 Property of c BERG ELECTRONICS.  
 Copyright BERG ELECTRONICS by

| PRODUCT NO. | DIM.M |
|-------------|-------|
| 95547-105** | 10.0  |
| 95547-125** | 9.0   |
| 95547-145** | 6.55  |
| 95547-155** | 6.55  |



| PRODUCT NO. | DIM.M |
|-------------|-------|
| 95547-120** | 2.15  |
| 95547-140** | -0.3  |
| 95547-150** | -0.3  |
| 95547-322** | 2.15  |



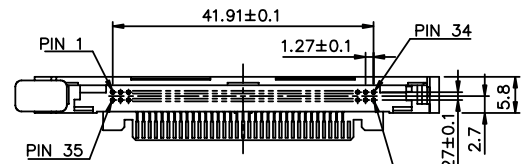
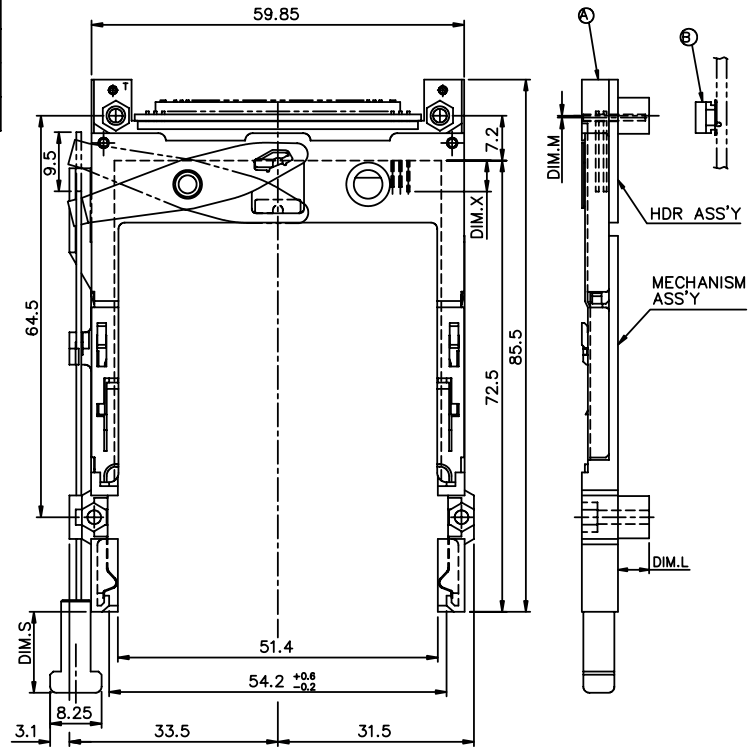
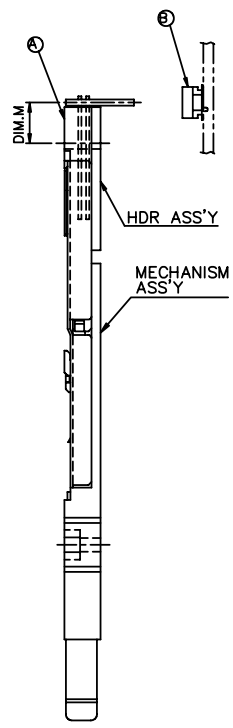
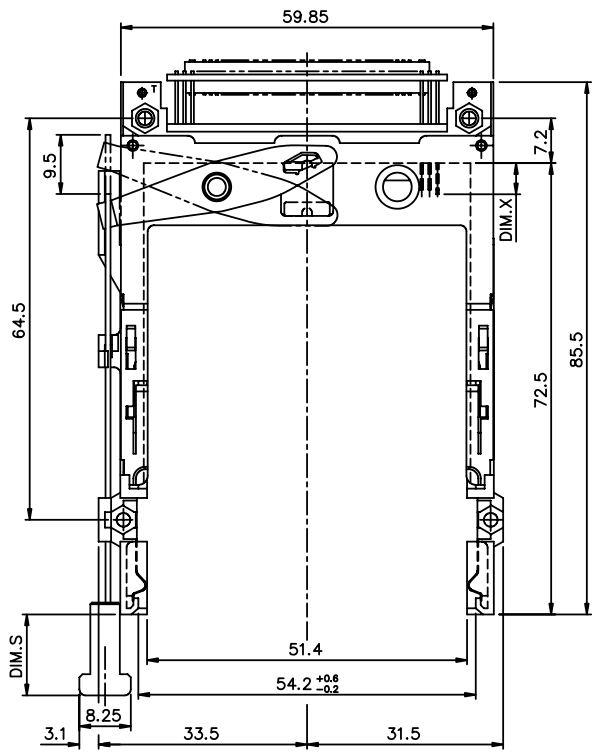
|            |         |                                      |      |                |             |                        |  |
|------------|---------|--------------------------------------|------|----------------|-------------|------------------------|--|
| mat'l code |         | tolerance unless otherwise specified |      | CUSTOMER COPY  |             | <br>www.fclconnect.com |  |
| rev.       | ecn no. | dr                                   | date | linear         | ± 0.30      | projection             | title  |
| L          |         |                                      |      | angles         | ± 2°        |                        | EJECTOR HEADER ASS'Y<br>5.0V, SMT TYPE 1/2/3 |
|            |         |                                      |      | dr             | WENDY CHEN  | 01/27/95               | unit   |
|            |         |                                      |      | enr            | JOSEPH HSIA | 01/27/95               | mm/inch                                      |
|            |         |                                      |      | chr            | JOSEPH HSIA | 01/27/95               | scale  |
|            |         |                                      |      | appd           | JENN TSAO   | 01/27/95               | A3   |
| sheet      |         | revision                             |      | product family |             | PCMCIA                 |  |
| index      |         | sheet                                |      | code           |             | 95547                  |  |
|            |         |                                      |      | size           |             | dwg no.                |  |
|            |         |                                      |      | sheet          |             | 3 of                   |  |

Tous droits strictement réservés. Reproduction ou communication à des tiers sans autorisation écrite du propriétaire. Property of c BERG ELECTRONICS. Droits de reproduction BERG ELECTRONICS by

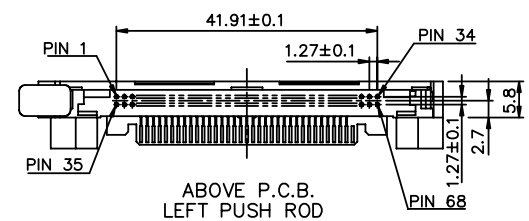
All rights strictly reserved. Reproduction or issue to third parties in any form without written authority from the proprietor. Property of c BERG ELECTRONICS. Copyright BERG ELECTRONICS by

| PRODUCT NO.   | DIM.M |
|---------------|-------|
| 95547-105**LF | 10.0  |
| 95547-125**LF | 9.0   |
| 95547-145**LF | 6.55  |
| 95547-155**LF | 6.55  |

| PRODUCT NO.    | DIM.M |
|----------------|-------|
| 95547-120**LF  | 2.15  |
| 95547-140**LF  | -0.3  |
| 95547-150**LF  | -0.3  |
| 95547-150**HLF | -0.3  |
| 95547-322**LF  | 2.15  |



ABOVE P.C.B. LEFT PUSH ROD  
(CAN'T BE USED FOR SINGLE DECK)



ABOVE P.C.B. LEFT PUSH ROD  
(CAN BE USED FOR SINGLE DECK)

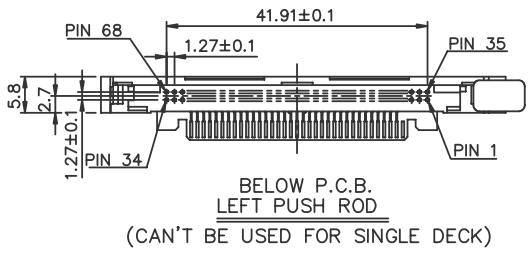
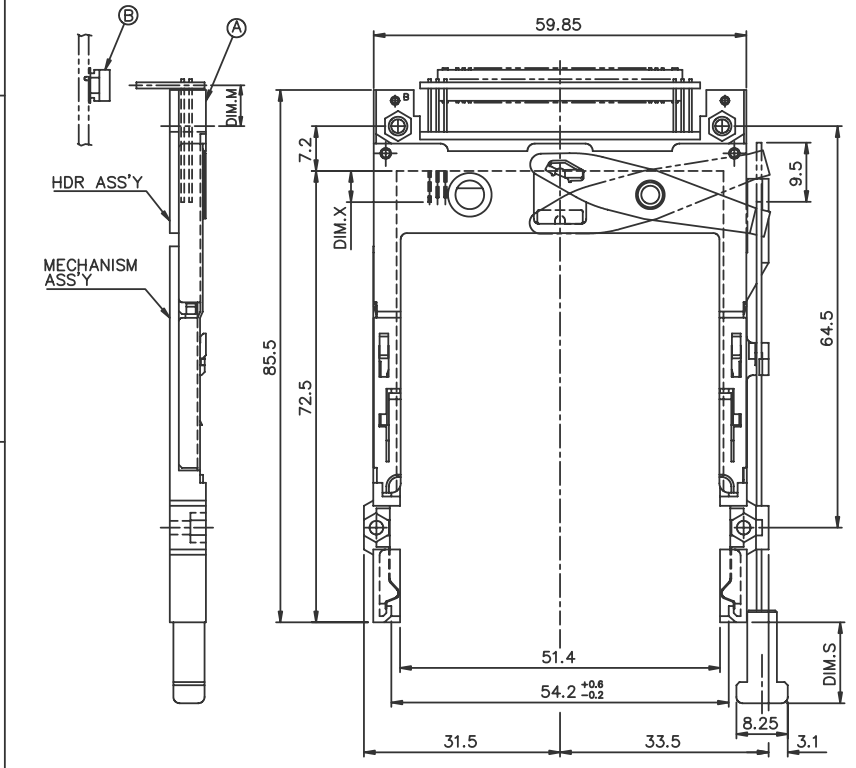
| mat'l code |         | tolerance unless otherwise specified |      | CUSTOMER COPY |             | FCI        |                      | www.fclconnect.com |         |
|------------|---------|--------------------------------------|------|---------------|-------------|------------|----------------------|--------------------|---------|
| rev.       | ecn no. | dr                                   | date | linear        | ± 0.30      | projection | title                |                    |         |
| N          |         |                                      |      | angles        | ± 2°        |            | EJECTOR HEADER ASS'Y |                    |         |
|            |         |                                      |      | dr            | WENDY CHEN  | 01/27/95   | unit                 | product family     |         |
|            |         |                                      |      | enr           | JOSEPH HSIA | 01/27/95   | mm/inch              | PCMCIA             | code    |
|            |         |                                      |      | chr           | JOSEPH HSIA | 01/27/95   | scale                | size               | dwg no. |
|            |         |                                      |      | appd          | JENN TSAO   | 01/27/95   | A3                   | 95547              | sheet   |
| sheet      |         | revision                             |      |               |             |            |                      | 4 of               |         |
| index      |         | sheet                                |      |               |             |            |                      |                    |         |

Tous droits strictement réservés. Reproduction ou communication à des tiers sans autorisation écrite du propriétaire.  
 Property of © BERG ELECTRONICS.  
 Droits de reproduction BERG ELECTRONICS by

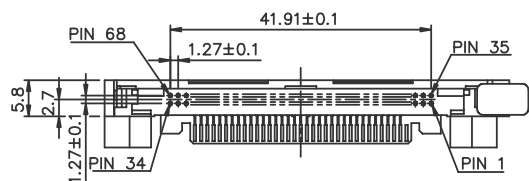
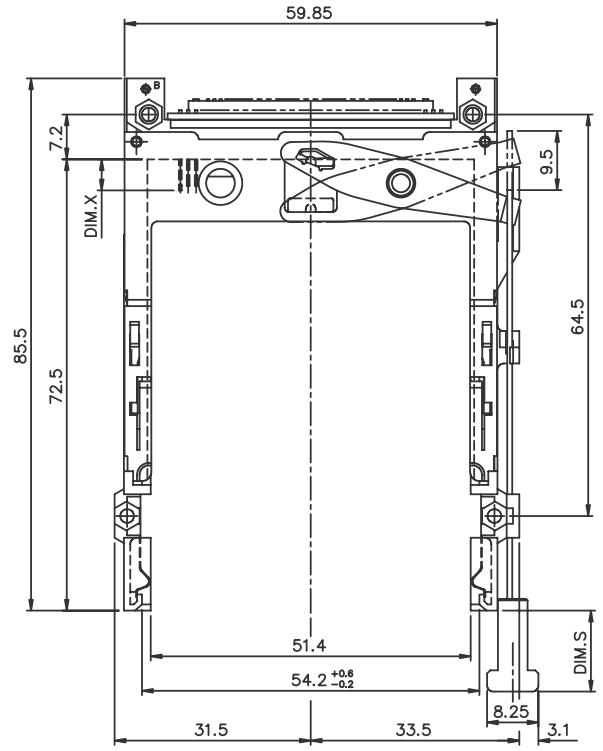
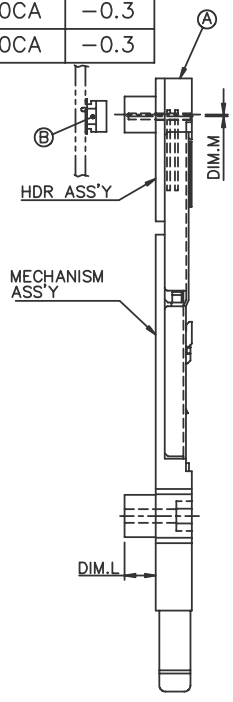


All rights strictly reserved. Reproduction or issue to third parties in any form without written authority from the proprietor.  
 Property of © BERG ELECTRONICS.  
 Copyright BERG ELECTRONICS by

| PRODUCT NO. | DIM.M |
|-------------|-------|
| 95547-605CA | 10.0  |
| 95547-625CA | 9.0   |
| 95547-645CA | 6.55  |
| 95547-655CA | 6.55  |



| PRODUCT NO. | DIM.M |
|-------------|-------|
| 95547-620CA | 2.15  |
| 95547-640CA | -0.3  |
| 95547-650CA | -0.3  |



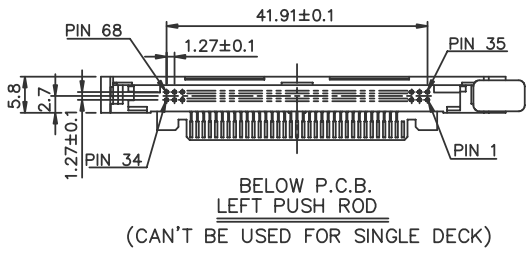
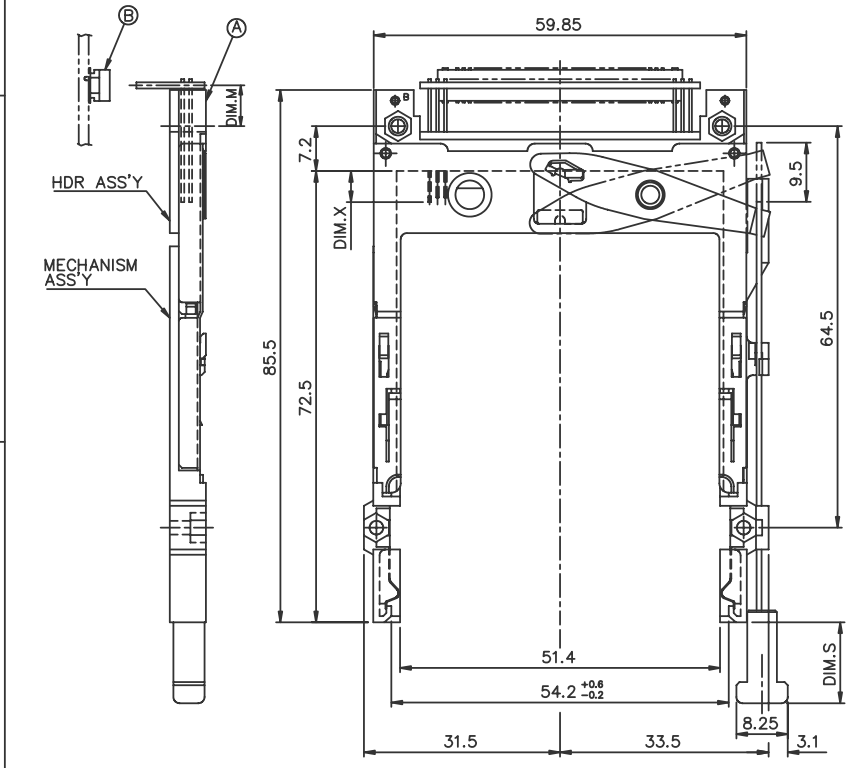
BELOW P.C.B.  
LEFT PUSH ROD  
(CAN BE USED FOR SINGLE DECK)

| mat'l code |         | tolerance unless otherwise specified |      | CUSTOMER COPY |                      | FCI        |                      | www.fclconnect.com |         |
|------------|---------|--------------------------------------|------|---------------|----------------------|------------|----------------------|--------------------|---------|
| rev.       | ecn no. | dr                                   | date | linear        | ± 0.3                | projection | title                |                    |         |
| L          |         |                                      |      | angles        | ± 2°                 |            | EJECTOR HEADER ASS'Y |                    |         |
| M          |         |                                      |      | dr            | WENDY CHEN 01/27/95  | unit       | product family       |                    | code    |
|            |         |                                      |      | enrg          | JOSEPH HSIA 01/27/95 | mm/inch    | PCMCIA               |                    |         |
|            |         |                                      |      | chr           | JOSEPH HSIA 01/27/95 | scale      | size                 |                    | dwg no. |
|            |         |                                      |      | appd          | JENN TSAO 01/27/95   | A3         | 95547                |                    | sheet   |
| sheet      |         | revision                             |      |               |                      |            |                      | 5 of               |         |
| index      |         | sheet                                |      |               |                      |            |                      |                    |         |

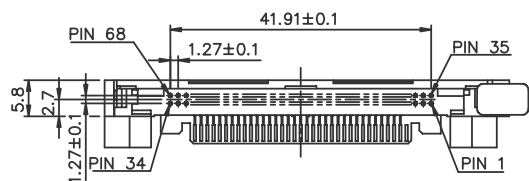
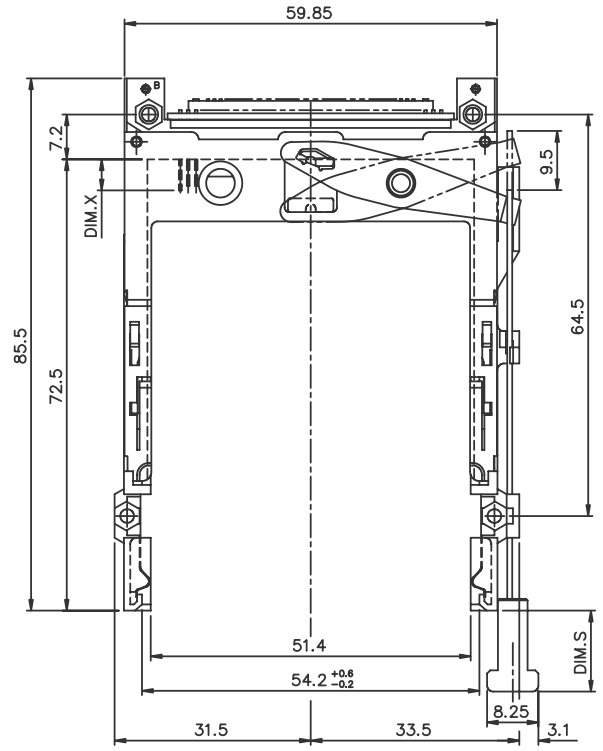
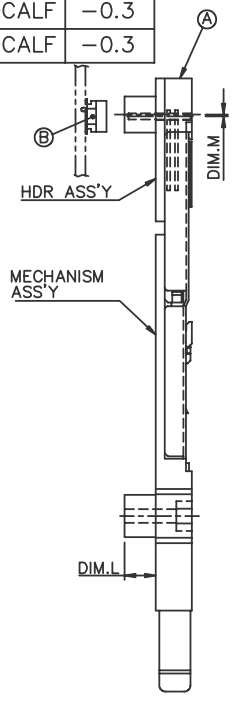
Tous droits strictement réservés. Reproduction ou communication à des tiers sans autorisation écrite du propriétaire.  
 Property of c BERG ELECTRONICS.  
 Copyright BERG ELECTRONICS by

All rights strictly reserved. Reproduction or issue to third parties in any form without written authority from the proprietor.  
 Property of c BERG ELECTRONICS.  
 Copyright BERG ELECTRONICS by

| PRODUCT NO.   | DIM.M |
|---------------|-------|
| 95547-605CALF | 10.0  |
| 95547-625CALF | 9.0   |
| 95547-645CALF | 6.55  |
| 95547-655CALF | 6.55  |



| PRODUCT NO.   | DIM.M |
|---------------|-------|
| 95547-620CALF | 2.15  |
| 95547-640CALF | -0.3  |
| 95547-650CALF | -0.3  |



BELOW P.C.B.  
 LEFT PUSH ROD  
 (CAN BE USED FOR SINGLE DECK)

| mat'l code |         | tolerance unless otherwise specified |      | CUSTOMER COPY |                      | FCI        |                      | www.fclconnect.com |         |
|------------|---------|--------------------------------------|------|---------------|----------------------|------------|----------------------|--------------------|---------|
| rev.       | ecn no. | dr                                   | date | linear        | ± 0.3                | projection | title                |                    |         |
| L          |         |                                      |      | angles        | ± 2°                 |            | EJECTOR HEADER ASS'Y |                    |         |
| M          |         |                                      |      | dr            | WENDY CHEN 01/27/95  | unit       | product family       |                    | code    |
|            |         |                                      |      | enrg          | JOSEPH HSIA 01/27/95 | mm/inch    | PCMCIA               |                    |         |
|            |         |                                      |      | chr           | JOSEPH HSIA 01/27/95 | scale      | size                 |                    | dwg no. |
|            |         |                                      |      | appd          | JENN TSAO 01/27/95   | A3         | 95547                |                    | sheet   |
| sheet      |         | revision                             |      | index         |                      | sheet      |                      | 6 of               |         |

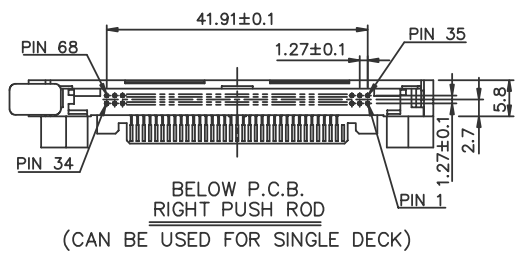
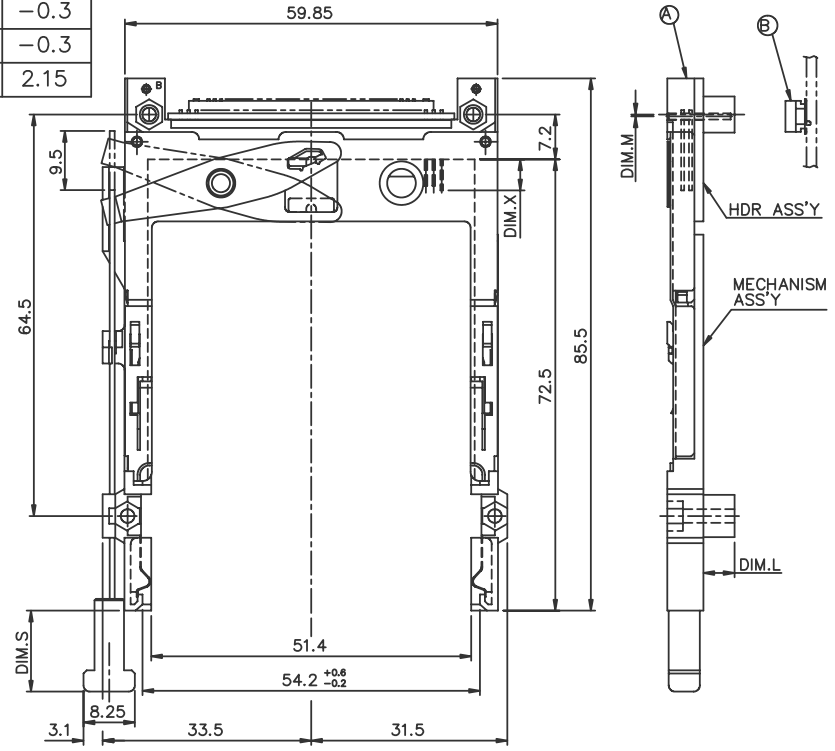
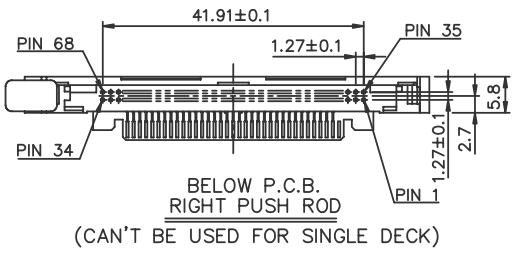
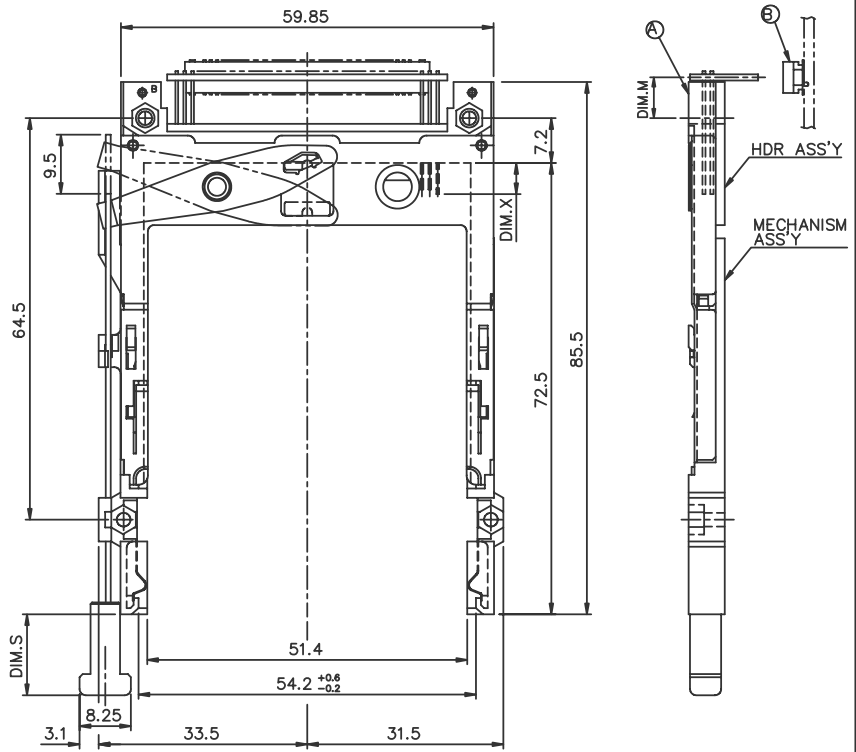
Tous droits strictement réservés. Reproduction ou communication à des tiers sans autorisation écrite du propriétaire.  
 Property of © BERG ELECTRONICS.  
 Droits de reproduction BERG ELECTRONICS by

All rights strictly reserved. Reproduction or issue to third parties in any form without written authority from the proprietor.  
 Property of © BERG ELECTRONICS.  
 Copyright BERG ELECTRONICS by

**FCI**

| PRODUCT NO. | DIM.M |
|-------------|-------|
| 95547-505CA | 10.0  |
| 95547-525CA | 9.0   |
| 95547-545CA | 6.55  |
| 95547-555CA | 6.55  |

| PRODUCT NO. | DIM.M |
|-------------|-------|
| 95547-520CA | 2.15  |
| 95547-540CA | -0.3  |
| 95547-550CA | -0.3  |
| 95547-750CA | 2.15  |



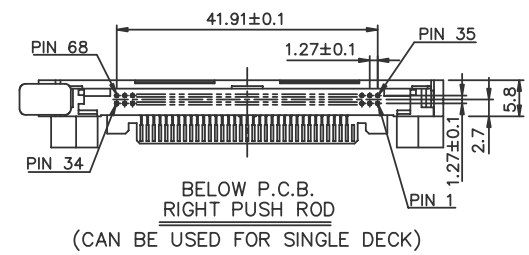
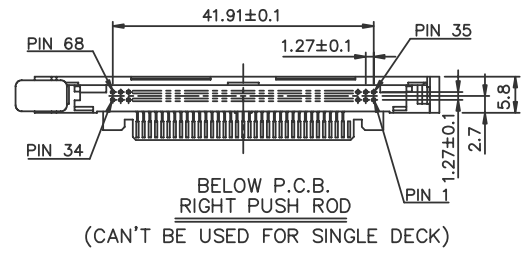
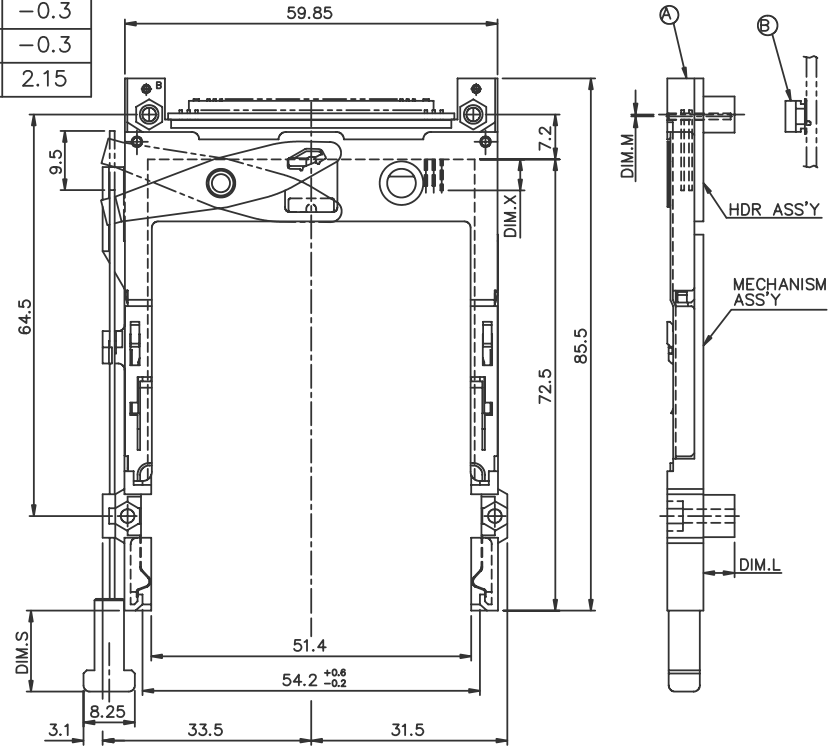
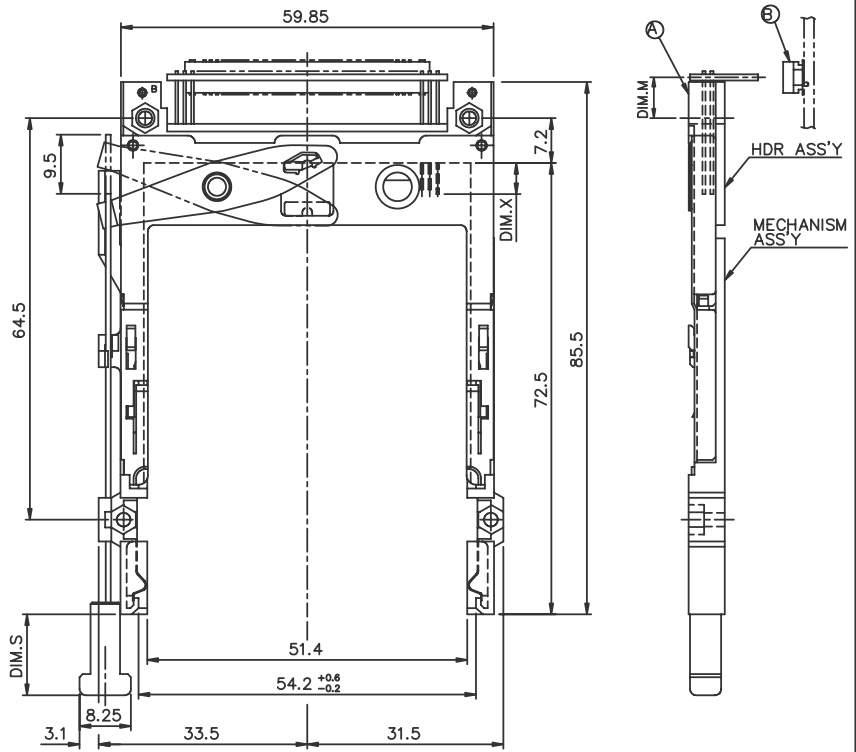
|            |          |                                      |      |                  |          |                               |                      |
|------------|----------|--------------------------------------|------|------------------|----------|-------------------------------|----------------------|
| mat'l code |          | tolerance unless otherwise specified |      | CUSTOMER COPY    |          | <b>FCI</b> www.fclconnect.com |                      |
| rev.       | ecn no.  | dr                                   | date | linear           | ± 0.30   | projection                    | title                |
| L          |          |                                      |      | angles           | ± 2°     |                               | EJECTOR HEADER ASS'Y |
| M          |          |                                      |      | dr WENDY CHEN    | 01/27/95 | unit                          | 5.0V, SMT TYPE 1/2/3 |
|            |          |                                      |      | enrg JOSEPH HSIA | 01/27/95 | mm/inch                       | product family       |
|            |          |                                      |      | chr JOSEPH HSIA  | 01/27/95 | scale                         | PCMCIA               |
|            |          |                                      |      | appd JENN TSAO   | 01/27/95 | A3                            | code                 |
|            |          |                                      |      |                  |          |                               | 95547                |
| sheet      | revision |                                      |      |                  |          |                               | size                 |
| index      | sheet    |                                      |      |                  |          |                               | dwg no.              |
|            |          |                                      |      |                  |          |                               | 7 of                 |

Tous droits strictement réservés. Reproduction ou communication à des tiers sans autorisation écrite du propriétaire.  
 Property of © BERG ELECTRONICS.  
 Droits de reproduction BERG ELECTRONICS by

All rights strictly reserved. Reproduction or issue to third parties in any form without written authority from the proprietor.  
 Property of © BERG ELECTRONICS.  
 Copyright BERG ELECTRONICS by

| PRODUCT NO.   | DIM.M |
|---------------|-------|
| 95547-505CALF | 10.0  |
| 95547-525CALF | 9.0   |
| 95547-545CALF | 6.55  |
| 95547-555CALF | 6.55  |

| PRODUCT NO.   | DIM.M |
|---------------|-------|
| 95547-520CALF | 2.15  |
| 95547-540CALF | -0.3  |
| 95547-550CALF | -0.3  |
| 95547-750CALF | 2.15  |



|            |          |                                      |      |               |                      |                        |                      |
|------------|----------|--------------------------------------|------|---------------|----------------------|------------------------|----------------------|
| mat'l code |          | tolerance unless otherwise specified |      | CUSTOMER COPY |                      | <br>www.fclconnect.com |                      |
| rev.       | ecn no.  | dr                                   | date | linear        | ± 0.30               | projection             | title                |
| L          |          |                                      |      | angles        | ± 2°                 |                        | EJECTOR HEADER ASS'Y |
| M          |          |                                      |      | dr            | WENDY CHEN 01/27/95  | unit                   | 5.0V, SMT TYPE 1/2/3 |
|            |          |                                      |      | enrg          | JOSEPH HSIA 01/27/95 | mm/inch                | product family       |
|            |          |                                      |      | chr           | JOSEPH HSIA 01/27/95 | scale                  | PCMCIA               |
|            |          |                                      |      | appd          | JENN TSAO 01/27/95   | A3                     | code                 |
|            |          |                                      |      |               |                      |                        | 95547                |
| sheet      | revision |                                      |      |               |                      |                        | size                 |
| index      | sheet    |                                      |      |               |                      |                        | dwg no.              |
|            |          |                                      |      |               |                      |                        | 8 of                 |

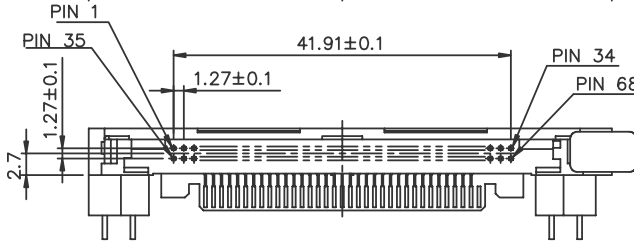
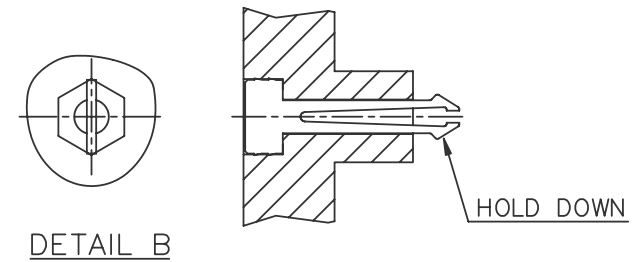
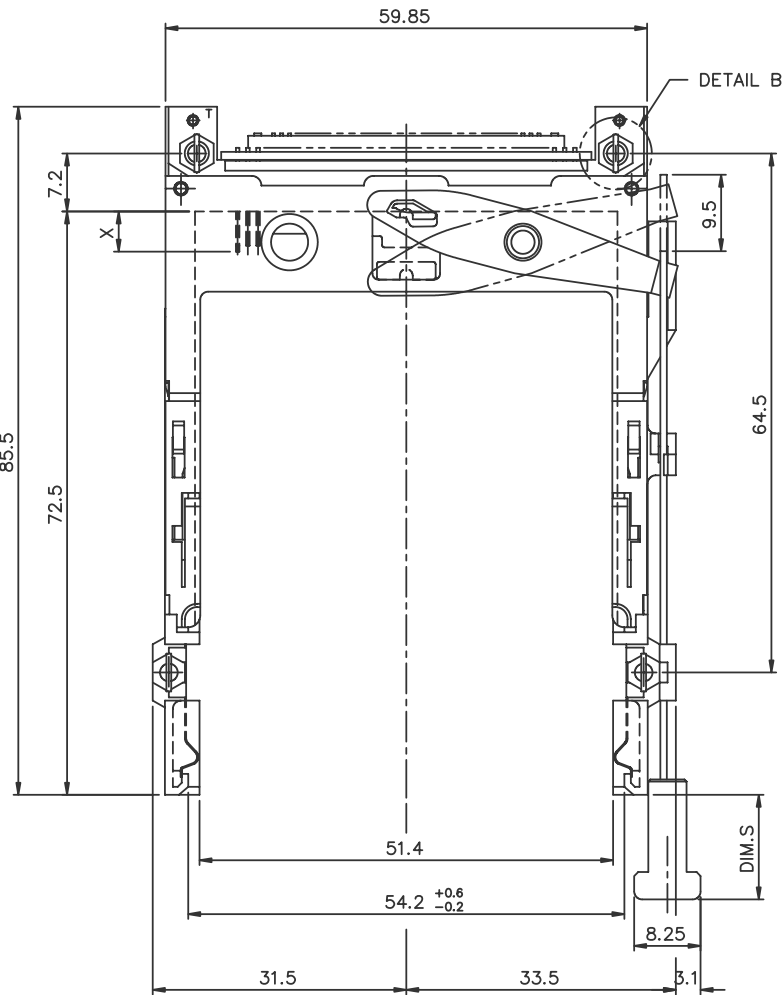
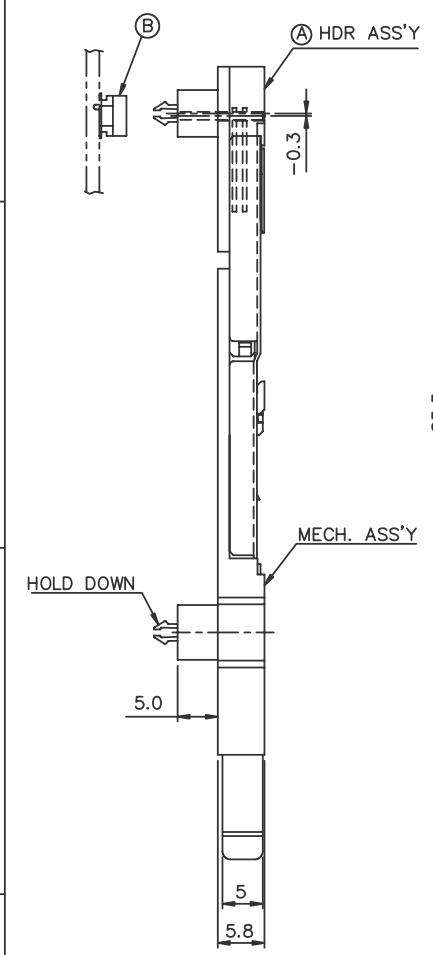


Tous droits strictement réservés. Reproduction ou communication à des tiers int  
 sous quelque forme que ce soit, sans autorisation écrite du propriétaire.  
 Property of c BERG ELECTRONICS.  
 Droits de reproduction BERG ELECTRONICS by

All rights strictly reserved. Reproduction or issue to third parties in any for  
 without written authority from the proprietor.  
 Property of c BERG ELECTRONICS.  
 Copyright BERG ELECTRONICS by



|                |
|----------------|
| PRODUCT NO.    |
| 95547-050**H   |
| 95547-050**HLF |



|            |          |                                      |      |                  |          |                        |                      |                      |
|------------|----------|--------------------------------------|------|------------------|----------|------------------------|----------------------|----------------------|
| mat'l code |          | tolerance unless otherwise specified |      | CUSTOMER COPY    |          | <br>www.fclconnect.com |                      |                      |
| rev.       | ecn no.  | dr                                   | date | linear           | ±0.3     | projection             | title                |                      |
| L          |          |                                      |      | angles           | ± 2°     |                        | EJECTOR HEADER ASS'Y |                      |
| M          |          |                                      |      | dr WENDY CHEN    | 12/19/00 |                        | unit                 | 5.0V, SMT TYPE 1/2/3 |
|            |          |                                      |      | enrg JOSEPH HSIA | 12/19/00 | mm/inch                | product family       |                      |
|            |          |                                      |      | chr JOSEPH HSIA  | 12/19/00 | scale                  | PCMCIA               |                      |
|            |          |                                      |      | appd JOSEPH HSIA | 12/19/00 | 1.4:1                  | code                 |                      |
|            |          |                                      |      |                  |          | A3                     | 95547                |                      |
|            |          |                                      |      |                  |          |                        | sheet                |                      |
|            |          |                                      |      |                  |          |                        | 9 of                 |                      |
| sheet      | revision |                                      |      |                  |          |                        |                      |                      |
| index      | sheet    |                                      |      |                  |          |                        |                      |                      |

DESCRIPTION : ABOVE PCB, DECK AND PUSH ROD LOCATION ARE AS VIEW BY USER.

NOTES:

- 8mm MIN. CARD EJECT.
- EJECT TRAVEL: 9.5mm
- PUSH ROD LOCATION AND P.C.B. SIDE ARE AS APPEARS INSTALLED.
- MATERIAL
  - HEADER ASS'Y:
    - PLASTIC : HOUSING ...LCP UL94V-O BLACK
    - PIN : COPPER ALLOY
    - PCB : FR4
  - EJECT MECHANISM ASS'Y:
    - PLASTIC : GUIDE: POLYPHTHARAMID UL94V-O BLACK
    - : PUSH ROD CAP: POLYPHTHARAMID UL94V-O BLACK
    - PLATE AND PUSH ROD : STAINLESS
    - EMI CONTACT: PHOSPHOR BRONZE
- FINISH (PIN)
  - UNDER PLATING : 0.5 um MIN. Ni
  - CONTACT AREA : 0.1 um MIN. GOLD OVER
  - 0.5 um MIN. Pd-Ni( OTHER VERSIONS),
  - 0.1 um MIN. GOLD OVER 0.8um Pd-Ni
  - (FOR 95547-250\*\* AND 95547-250\*\*LF ONLY)
  - SOLDER TAIL : TIN LEAD PLATING: 2.5 um MIN. Sn-Pb
  - LEAD FREE PLATING: 2.5 um MIN. PURE TIN

6. DIM "X"

|          |         |                  |
|----------|---------|------------------|
| 4.25±0.1 | 3.5±0.1 | 5.0±0.1          |
| OTHERS   | 36,67   | 1,17,34,35,51,68 |

7. TABLE J

|          |
|----------|
| ** DIM.S |
| CA 13.0  |
| DA 15.6  |

- ADD "H" TO PART NUMBER FOR OPTIONAL HOLD DOWN (4 PER ASSEMBLY).
- IF LEAD FREE P/N.THE HOUSING WILL WITHSTAND EXPOSURE TO 260°C PEAK TEMPERATURE FOR 10 SECONDS IN A WAVE SOLDER APPLICATION WITH A 1.00MM MINIMUM THICK CIRCUIT BOARD.
- LEAD FREE PRODUCT MEETS EUROPEAN UNION DIRECTIVES AND OTHER COUNTRY REGULATIONS AS DISCRIBLED IN GS-22-008
- IF LEAD FREE P/N. PACKAGING MEETS GS-14-920 SPECIFICATION

TIN LEAD ORDERING INFORMATION

| NAME                   | PART NO.    | Q'TY |
|------------------------|-------------|------|
| (A) EJECT HEADER ASS'Y | 95547-***** | 1    |
| (B) MATING RECEPTACLE  | 91931-31169 | 1    |

| LOWER DECK      |                       |                       |                 |                          |   |                                      |
|-----------------|-----------------------|-----------------------|-----------------|--------------------------|---|--------------------------------------|
| (A) PRODUCT NO. | STAND-OFF HIGH DIM. L | PUSH ROD LOCATION (C) | P.C.B. SIDE (C) | P.C.B LAYOUT RECOMMENDED | (B) MATING RECEPTACLE                         | MOUNT STYLE TO PCB AND PUSH ROD SIDE |
| 95547-020**     | 2.2                   | RIGHT                 | ABOVE           | SEE DRAWING P/N: TA-1052 | ↑<br>RECEPTACLE PART NUMBER: 91931-31169<br>↓ |                                      |
| 95547-040**     | 4.3                   |                       |                 |                          |   |                                      |
| 95547-050**     | 5.0                   |                       |                 |                          |   |                                      |
| 95547-050**H    | 5.0                   |                       |                 |                          |   |                                      |
| 95547-250**     | 5.0                   |                       |                 |                          |   |                                      |
| 95547-120**     | 2.2                   | LEFT                  | ABOVE           | SEE PAGE 7               |   |                                      |
| 95547-140**     | 4.3                   |                       |                 |                          |   |                                      |
| 95547-150**     | 5.0                   |                       |                 |                          |   |                                      |
| 95547-322**     | 2.2                   | LEFT                  | ABOVE           | SEE PAGE 7               |   |                                      |
| 95547-520**     | 2.2                   |                       |                 |                          |   |                                      |
| 95547-540**     | 4.3                   |                       |                 |                          |   |                                      |
| 95547-550**     | 5.0                   | RIGHT                 | BELOW           | SEE DRAWING P/N: TA-1052 |   |                                      |
| 95547-750**     | 5.0                   |                       |                 |                          |   |                                      |
| 95547-620**     | 2.2                   | LEFT                  | BELOW           | SEE DRAWING P/N: TA-1052 |   |                                      |
| 95547-640**     | 4.3                   |                       |                 |                          |   |                                      |
| 95547-650**     | 5.0                   |                       |                 |                          |   |                                      |

| UPPER DECK      |  |                       |                 |   |                                      |
|-----------------|--|-----------------------|-----------------|---|--------------------------------------|
| (A) PRODUCT NO. | JOINT WITH LOWER DECK STAND-OFF HIGH(DIM. L) | PUSH ROD LOCATION (C) | P.C.B. SIDE (C) | (B) MATING RECEPTACLE                         | MOUNT STYLE TO PCB AND PUSH ROD SIDE |
| 95547-005**     | 0.0  | RIGHT                 | ABOVE           | ↑<br>RECEPTACLE PART NUMBER: 91931-31169<br>↓ |                                      |
| 95547-025**     | 2.2  |                       |                 |   |                                      |
| 95547-045**     | 4.3  |                       |                 |   |                                      |
| 95547-055**     | 5.0  |                       |                 |   |                                      |
| 95547-105**     | 0.0  |                       |                 |   |                                      |
| 95547-125**     | 2.2  | LEFT                  | ABOVE           |   |                                      |
| 95547-145**     | 4.3  |                       |                 |   |                                      |
| 95547-155**     | 5.0  |                       |                 |   |                                      |
| 95547-505**     | 0.0  | RIGHT                 | BELOW           |   |                                      |
| 95547-525**     | 2.2  |                       |                 |   |                                      |
| 95547-545**     | 4.3  |                       |                 |   |                                      |
| 95547-555**     | 5.0  |                       |                 |   |                                      |
| 95547-605**     | 0.0  |                       |                 |   |                                      |
| 95547-625**     | 2.2  | LEFT                  | BELOW           |   |                                      |
| 95547-645**     | 4.3  |                       |                 |   |                                      |
| 95547-655**     | 5.0  |                       |                 |   |                                      |

NOTES:

- IT CAN'T BE USED FOR SINGLE DECK.
- IT MUST BE ASSEMBLED BY USER FOR DOUBLE DECK APPLICATION.(PLEASE REFER TO P/N 95562)
- \*\* : SEE TABLE J

|            |          |                                      |             |               |            |   |  |                    |  |
|------------|----------|--------------------------------------|-------------|---------------|------------|---|--|--------------------|--|
| mat'l code |          | tolerance unless otherwise specified |             | CUSTOMER COPY |            |   |  | www.fclconnect.com |  |
| rev.       | ecn no.  | dr                                   | date        | linear        | projection | title EJECTOR HEADER ASS'Y 5.0V, SMT TYPE 1/2/3 |  |                    |  |
| L          |          |                                      |             |               |            |   |  |                    |  |
| M          |          |                                      |             | angles        |            |   |  |                    |  |
|            |          | dr                                   | WENDY CHEN  | 01/27/95      | unit       | product family                                  |  | PCMCIA             |  |
|            |          | enrg                                 | JOSEPH HSIA | 01/27/95      | mm/inch    | size  |  | dwg no.            |  |
|            |          | chr                                  | JOSEPH HSIA | 01/27/95      | scale      | A3  |  | 95547              |  |
|            |          | appd                                 | JENN TSAO   | 01/27/95      | 1:1        |   |  | sheet 100f         |  |
| sheet      | revision |                                      |             |               |            |   |  |                    |  |
| index      | sheet    |                                      |             |               |            |   |  |                    |  |

Tous droits strictement reserves. Reproduction ou communication a des tiers int sous quelque forme que ce soit, sans autorisation écrite du propriétaire. Property of c BERG ELECTRONICS. Droits de reproduction BERG ELECTRONICS by

FCI

All rights strictly reserved. Reproduction or issue to third parties in any for without written authority from the proprietor. Copyright BERG ELECTRONICS by

DESCRIPTION : ABOVE PCB, DECK AND PUSH ROD LOCATION ARE AS VIEW BY USER.

| LOWER DECK       |                       |                     |               |                          |   |                                      |  |
|------------------|-----------------------|---------------------|---------------|--------------------------|---|--------------------------------------|--|
| Ⓐ PRODUCT NO.    | STAND-OFF HIGH DIM. L | PUSH ROD LOCATION Ⓞ | P.C.B. SIDE Ⓞ | P.C.B LAYOUT RECOMMENDED | Ⓑ MATING RECEPTACLE                             | MOUNT STYLE TO PCB AND PUSH ROD SIDE |  |
| 95547-020**LF    | 2.2                   | RIGHT               | ABOVE         | SEE DRAWING P/N: TA-1052 | ↑<br>RECEPTACLE PART NUMBER: 91931-31169LF<br>↓ |                                      |  |
| 95547-040**LF    | 4.3                   |                     |               |                          |   |                                      |  |
| 95547-050**LF    | 5.0                   |                     |               |                          |   |                                      |  |
| 95547-050**HLF   | 5.0                   |                     |               |                          |   |                                      |  |
| 95547-250**LF    | 5.0                   |                     |               |                          |   |                                      |  |
| 95547-120**LF    | 2.2                   | LEFT                | ABOVE         | SEE DRAWING P/N: TA-1052 |   |                                      |  |
| 95547-140**LF    | 4.3                   |                     |               |                          |   |                                      |  |
| 95547-150**LF    | 5.0                   |                     |               |                          |   |                                      |  |
| ⚠ 95547-150**HLF | 5.0                   |                     |               |                          |   |                                      |  |
| 95547-322**LF    | 2.2                   |                     |               |                          |   |                                      |  |
| 95547-520**LF    | 2.2                   | RIGHT               | BELOW         | SEE DRAWING P/N: TA-1052 |   |                                      |  |
| 95547-540**LF    | 4.3                   |                     |               |                          |   |                                      |  |
| 95547-550**LF    | 5.0                   |                     |               |                          |   |                                      |  |
| 95547-750**LF    | 5.0                   |                     |               |                          |   |                                      |  |
| 95547-620**LF    | 2.2                   |                     |               |                          |   |                                      |  |
| 95547-640**LF    | 4.3                   | LEFT                | BELOW         | SEE DRAWING P/N: TA-1052 |   |                                      |  |
| 95547-650**LF    | 5.0                   |                     |               |                          |   |                                      |  |

| UPPER DECK    |  |                     |               |   |                                      |  |
|---------------|--|---------------------|---------------|---|--------------------------------------|--|
| Ⓐ PRODUCT NO. | JOINT WITH LOWER DECK STAND-OFF HIGH(DIM. L) | PUSH ROD LOCATION Ⓞ | P.C.B. SIDE Ⓞ | Ⓑ MATING RECEPTACLE                             | MOUNT STYLE TO PCB AND PUSH ROD SIDE |  |
| 95547-005**LF | 0.0  | RIGHT               | ABOVE         | ↑<br>RECEPTACLE PART NUMBER: 91931-31169LF<br>↓ |                                      |  |
| 95547-025**LF | 2.2  |                     |               |   |                                      |  |
| 95547-045**LF | 4.3  |                     |               |   |                                      |  |
| 95547-055**LF | 5.0  |                     |               |   |                                      |  |
| 95547-105**LF | 0.0  |                     |               |   |                                      |  |
| 95547-125**LF | 2.2  | LEFT                | ABOVE         |   |                                      |  |
| 95547-145**LF | 4.3  |                     |               |   |                                      |  |
| 95547-155**LF | 5.0  |                     |               |   |                                      |  |
| 95547-505**LF | 0.0  |                     |               |   |                                      |  |
| 95547-525**LF | 2.2  |                     |               |   |                                      |  |
| 95547-545**LF | 4.3  | RIGHT               | BELOW         |   |                                      |  |
| 95547-555**LF | 5.0  |                     |               |   |                                      |  |
| 95547-605**LF | 0.0  |                     |               |   |                                      |  |
| 95547-625**LF | 2.2  |                     |               |   |                                      |  |
| 95547-645**LF | 4.3  |                     |               |   |                                      |  |
| 95547-655**LF | 5.0  | LEFT                | BELOW         |   |                                      |  |
| 95547-655**LF | 5.0  |                     |               |   |                                      |  |

NOTES:  
 1. IT CAN'T BE USED FOR SINGLE DECK.  
 2. IT MUST BE ASSEMBLED BY USER FOR DOUBLE DECK APPLICATION.(PLEASE REFER TO P/N 95562)  
 3. \*\* : SEE TABLE J

LEAD FREE ORDERING INFORMATION

| NAME                 | PART NO.      | Q'TY |
|----------------------|---------------|------|
| Ⓐ EJECT HEADER ASS'Y | 95547-****LF  | 1    |
| Ⓑ MATING RECEPTACLE  | 91931-31169LF | 1    |

|             |                |                                      |                      |               |            |   |        |
|-------------|----------------|--------------------------------------|----------------------|---------------|------------|---|--------|
| mat'l code  |                | tolerance unless otherwise specified |                      | CUSTOMER COPY |            | <b>FCI</b> www.fclconnect.com                   |        |
| rev. N      | ecn no.        | dr                                   | date                 | linear        | projection | title EJECTOR HEADER ASS'Y 5.0V, SMT TYPE 1/2/3 |        |
|             |                |                                      |                      | angles        |            | product family                                  | PCMCIA |
|             |                | dr                                   | WENDY CHEN 01/27/95  | unit          | mm/inch    | code  |        |
|             |                | enrg                                 | JOSEPH HSIA 01/27/95 | scale         | 1:1        | size  | A3     |
|             |                | chr                                  | JOSEPH HSIA 01/27/95 |               |            | dwg no.   | 95547  |
|             |                | appd                                 | JENN TSAO 01/27/95   |               |            | sheet   | 11 of  |
| sheet index | revision sheet |                                      |                      |               |            |   |        |

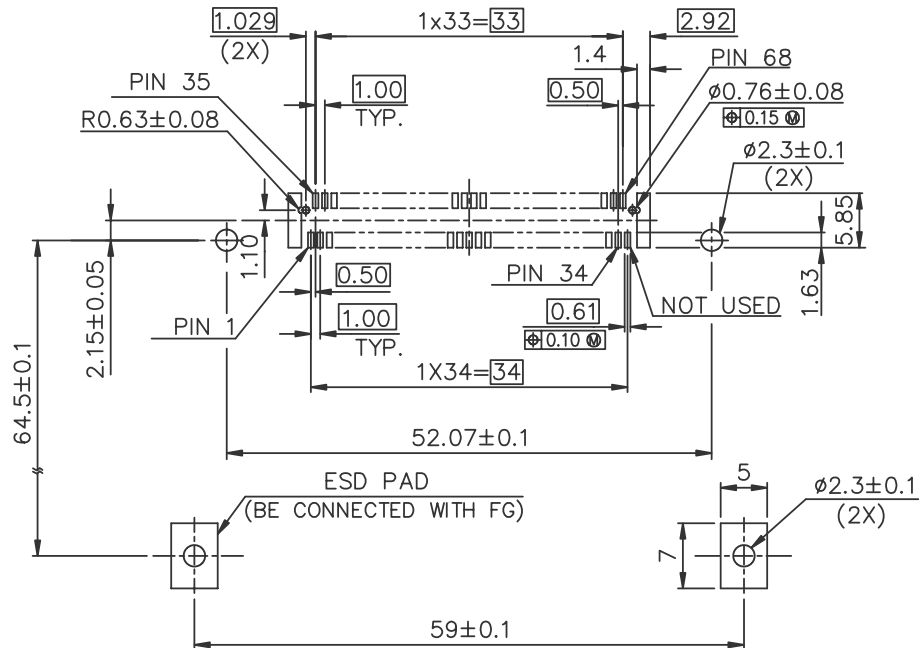
Tous droits strictement reserves. Reproduction ou communication a des tiers int sous quelque forme que ce soit sans autorisation ecrite du proprietair. Property of c BERG ELECTRONICS. Droits de reproduction BERG ELECTRONICS by

All rights strictly reserved. Reproduction or issue to third parties in any for without written authority from the proprietor. Property of c BERG ELECTRONICS. Copyright BERG ELECTRONICS by

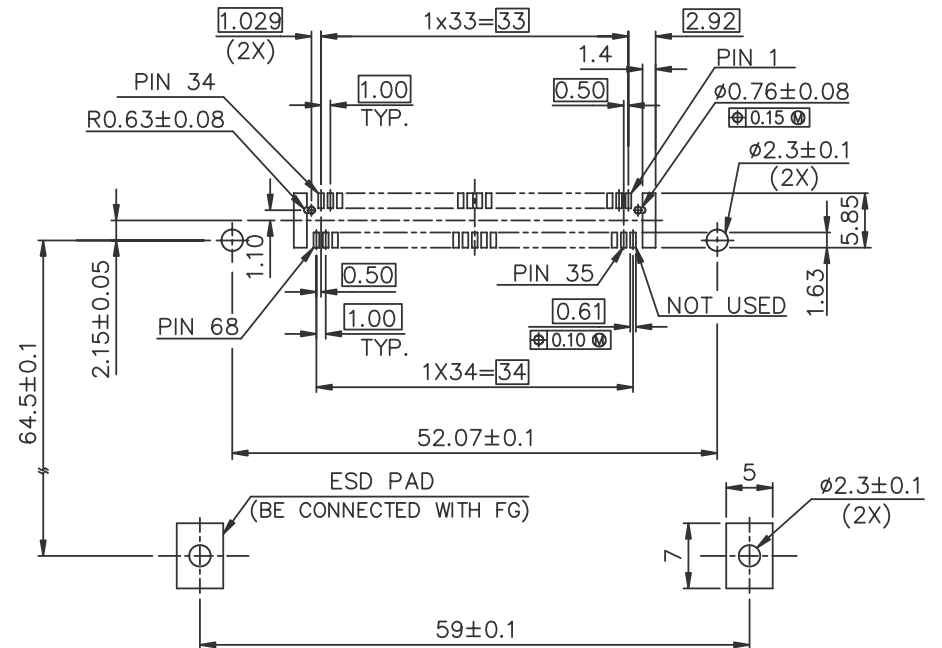
Tous droits strictement réservés. Reproduction ou communication à des tiers sans autorisation écrite du propriétaire.  
 Property of c BERG ELECTRONICS.  
 Copyright BERG ELECTRONICS by



All rights strictly reserved. Reproduction or issue to third parties in any form without the written authority from the proprietor.  
 Property of c BERG ELECTRONICS.  
 Copyright BERG ELECTRONICS by



4 CARD INSERTION DIRECTION  
 (ONLY USED FOR P/N: 95547-322\*\*  
 AND P/N: 95547-322\*\*LF)



4 CARD INSERTION DIRECTION  
 (ONLY USED FOR P/N: 95547-750\*\*  
 AND P/N: 95547-750\*\*LF)

|            |          |                                      |                      |               |  |         |       |       |      |
|------------|----------|--------------------------------------|----------------------|---------------|--|---------|-------|-------|------|
| mat'l code |          | tolerance unless otherwise specified |                      | CUSTOMER COPY | <br>www.fclconnect.com                 |         |       |       |      |
| rev.       | ecn no.  | dr                                   | date                 | linear        |  | ±0.10   |       |       |      |
| L          |          |                                      |                      | angles        | ± 2'                                   |         |       |       |      |
|            |          | dr                                   | WENDY CHEN 11/24/97  | projection    | <br>title<br>CONAN, EJECTOR HDR LAYOUT |         |       |       |      |
|            |          | enrg                                 | JOSEPH HSIA 11/24/97 | unit          |  |         |       |       |      |
|            |          | chr                                  | JOSEPH HSIA 11/24/97 | mm/inch       | product family                         | PCMCIA  | code  |       |      |
|            |          | appd                                 | JENN TSAO 11/24/97   | scale         | size                                   | dwg no. | 95547 | sheet | 12of |
| sheet      | revision |                                      |                      |               | A3                                     |         |       |       |      |
| index      | sheet    |                                      |                      |               |  |         |       |       |      |